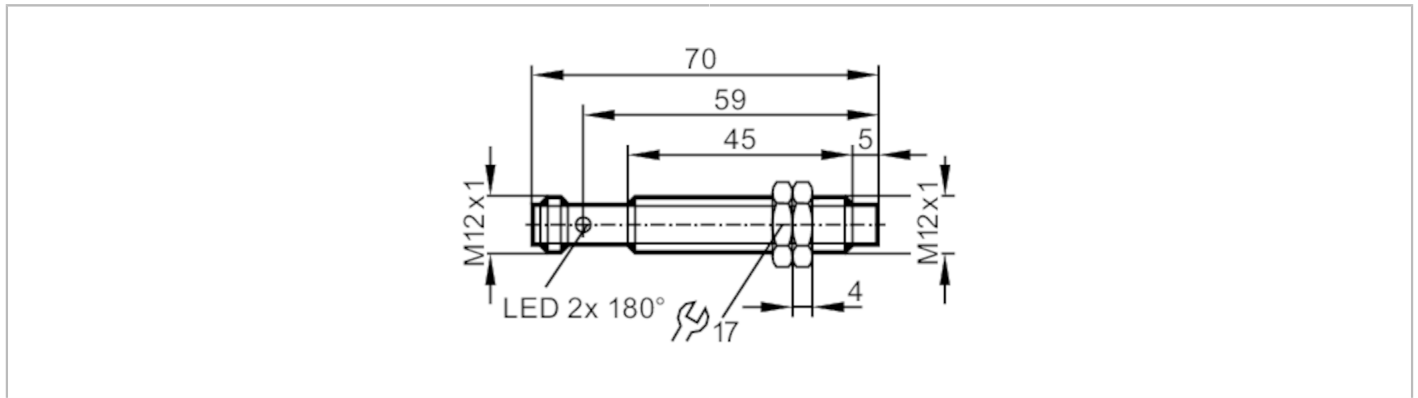


DTI411



RFID read/write head HF

DTRHF FNRWIOUS03



Application

Application	Detection of objects on transport equipment
Radio approval for	USA; Canada; EU/RED; Australia; Japan; China; Taiwan; India; Singapore; South Korea
Note on radio approval	The list of countries applying the European Radio Equipment Directive 2014/53/EU (RED) can be found under "Downloads".

Electrical data

Operating voltage [V]	19.2...28.8 DC
Current consumption [mA]	< 50
Protection class	III
Operating frequency [MHz]	13,56
RFID standard	ISO 15693

Monitoring range

Distance write/read head front [mm]	90
Distance write/read head side [mm]	25
Distance to the ID tag [mm]	referred to 20 mm coin tag; I-CODE SLI : ≤ 18

Interfaces

Communication interface	IO-Link
Transmission type	COM2 (38,4 kBaud)
IO-Link revision	1.1
SDCI standard	IEC 61131-9
Profiles	Smart Sensor - SSP 0 Generic Profiled Sensor
Function	Device identification
SIO mode	no
Required master port class	A
Min. process cycle time [ms]	22
Supported DeviceIDs	Type of operation DeviceID
	default 967

Operating conditions

Ambient temperature [°C]	-20...60
Storage temperature [°C]	-25...80
Protection	IP 67; IP 69K

DTI411



RFID read/write head HF

DTRHF FNRWIOUS03

Tests / approvals		
Shock resistance	EN 60068-2-27	40 g 6 ms / repetitive
	EN 60068-2-27	50 g 11 ms / not repetitive
Vibration resistance	EN 60068-2-6	20 g 10...2000 Hz
MTTF [years]		613.74
UL approval	Ta	-20...60 °C
	Enclosure type	Type 1
	voltage supply	Limited Voltage/Current
	File number UL	E205959

Mechanical data		
Weight [g]		111.5
Housing		Threaded type
Mounting		non-flush mountable
Dimensions [mm]		M12 x 1 / L = 70
Thread designation		M12 x 1
Material		housing: stainless steel; Protective cover: PPS

Displays / operating elements		
Display	Power	1 x LED, green
	tag communication	1 x LED, yellow

Accessories		
Items supplied		lock nuts: 2 x M12

Remarks		
Pack quantity		1 pcs.

Electrical connection

Connector: 1 x M12; coding: A



Connection

