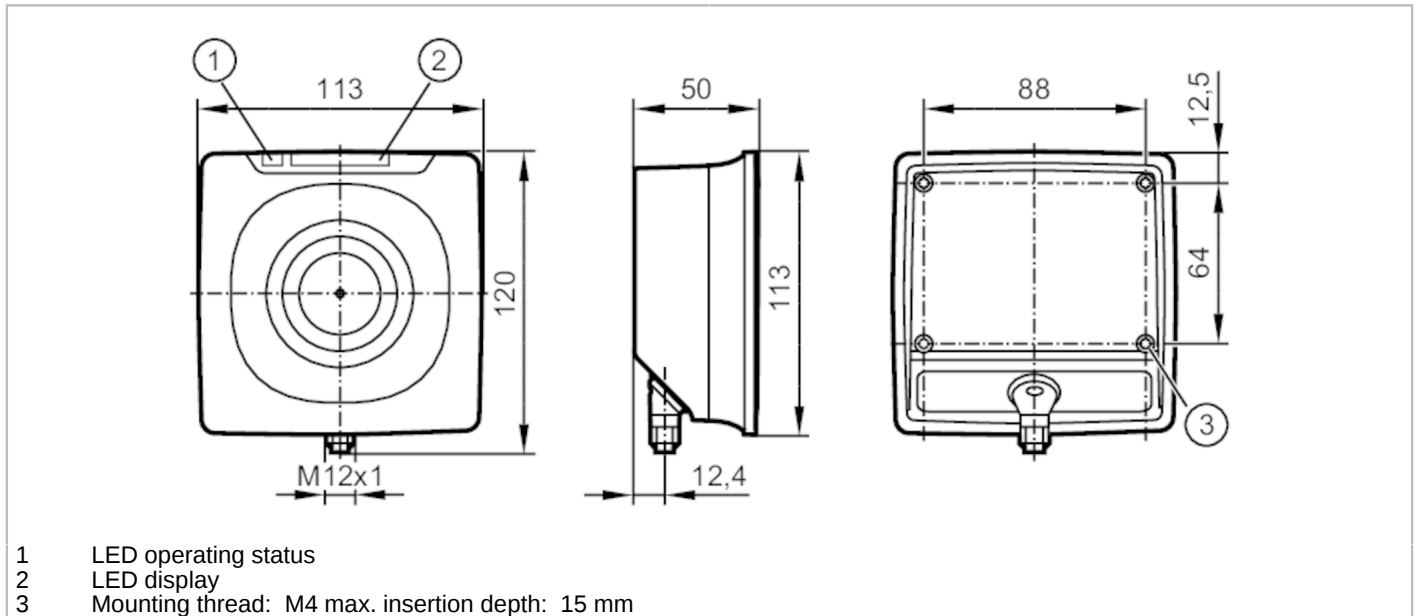


# DTC600



## RFID read/write head HF

DTCHF HLRWCOUS03



- 1 LED operating status
- 2 LED display
- 3 Mounting thread: M4 max. insertion depth: 15 mm



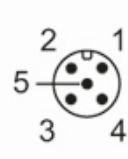
Application		
Application	Detection of objects on transport equipment	
Radio approval for	USA; Canada; EU/RED; Australia; Japan; Taiwan; India; China	
Note on radio approval	The list of countries applying the European Radio Equipment Directive 2014/53/EU (RED) can be found under "Downloads".	
Electrical data		
Operating voltage [V]	9...32 DC	
Current consumption [mA]	< 150; (24 V)	
Protection class	III	
Operating frequency [MHz]	13,56	
Monitoring range		
Distance write/read head front [mm]	900	
Distance write/read head side [mm]	1200	
Distance to the ID tag [mm]	referred to the ID tag E80384 : < 190	
Interfaces		
Communication interface	CAN	
Protocol	CANopen	
Operating conditions		
Ambient temperature [°C]	-20...60	
Storage temperature [°C]	-25...80	
Protection	IP 67	
Tests / approvals		
Shock resistance	EN 60068-2-27	40 g 6 ms / bump
	EN 60068-2-27	50 g 11 ms / single shock
Vibration resistance	EN 60068-2-6	2 g 10...150 Hz

# DTC600



## RFID read/write head HF

DTCHF HLRWCOUS03

Mechanical data		
Weight	[g]	458.5
Dimensions	[mm]	120 x 50 x 113
Material		PBT; PC; stainless steel
Displays / operating elements		
Display	Power	1 x LED, green/red CANopen interface
		1 x LED display, yellow tag communication
Remarks		
Remarks		For the distances to other ID tags see the respective data sheet (E803xx)
Pack quantity		1 pcs.
Electrical connection - plug		
Connector: 1 x M12; coding: A		
		
1		not used
2		U+
3		GND
4		CAN_H
5		CAN_L