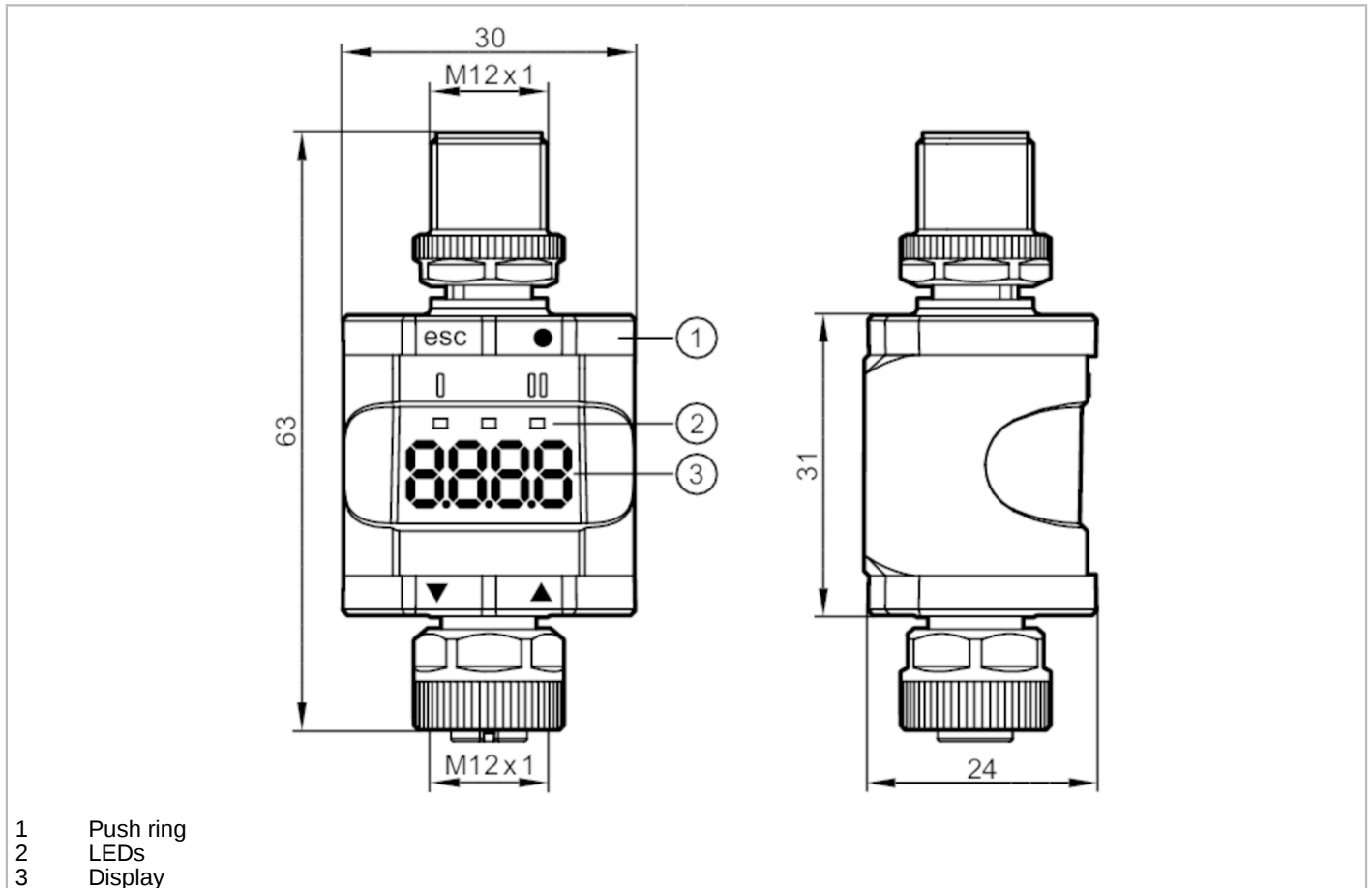


DP2200



Evaluation system and display for analog signals

Analog Threshold Displ./4-20mA



Application	
Application	decentralized display, preprocessing and conversion of analog signals
Electrical data	
Operating voltage [V]	18...30 DC; (to SELV/PELV)
Nominal voltage DC [V]	24
Current consumption [mA]	30...900
Max. current load total [A]	0.8
Inputs / outputs	
Number of inputs and outputs	Number of analog inputs: 1; Number of digital outputs: 1; Number of analog outputs: 1
Inputs	
Sensor supply of the inputs	from the operating voltage
Number of analog inputs	1
Analog input (current) [mA]	4...20
Resolution of analog input	10 Bit
Outputs	
Number of digital outputs	1
Voltage range DC [V]	10...30
Output function	normally open / closed; (configurable)
Max. current load per output [mA]	50

DP2200



Evaluation system and display for analog signals

Analog Threshold Displ./4-20mA

Number of analog outputs	1
Analog current output [mA]	4...20

Accuracy / deviations

Accuracy	0.75; (% of the final value of the measuring range analog input)
----------	--

Interfaces

Communication interface	IO-Link	
Supported DeviceIDs	Type of operation	DeviceID
	IO-Link Device	610

IO-Link Device

Transmission type	COM2 (38,4 kBaud)	
IO-Link revision	1.1	
SDCI standard	IEC 61131-9	
Profiles	Smart Sensor - SSP 0	Generic Profiled Sensor
	Function	Device identification
	Function	Process data variable
	Function	Device diagnosis
SIO mode	yes	
Required master port class	A	
Process data analog	1	
Process data binary	1	
Min. process cycle time [ms]	3.2	

Operating conditions

Ambient temperature [°C]	-25...60	
Storage temperature [°C]	-25...70	
Max. relative air humidity [%]	90; (linearly decreasing to 50 % (40 °C); non condensing)	
Max. height above sea level [m]	4000	
Protection	IP 67	
Degree of soiling	2	

Tests / approvals

MTTF [years]	373	
UL approval	Ta	max. 55 °C
	File number UL	E205959

Mechanical data

Weight [g]	84.4	
Housing	rectangular	
Dimensions [mm]	63 x 30 x 24	
Material	housing: PA	

Displays / operating elements

Display	Switching status	LED, yellow
	Power	LED, green
		7-segment LED display, red/green 4-digit configurable
		digit height 6,8 mm
		digit width 3,8 mm

DP2200



Evaluation system and display for analog signals

Analog Threshold Displ./4-20mA

Accessories

Accessories (optional)	mounting clip
------------------------	---------------

Remarks

Remarks	Further information is available in the manual. the device complies with overvoltage category II
Pack quantity	1 pcs.

Electrical connection - plug

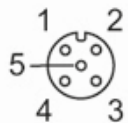
Connector: 1 x M12; coding: A



1: L+	supply
2: OUT2	analog output
3: L-	supply
4: OUT1	IO-Link (C/Q)

Electrical connection - Socket

Connector: 1 x M12; coding: A



1: L+	Sensor supply
2: 4...20 mA	analog input
3: L-	Sensor supply
4:	not used
5:	not used