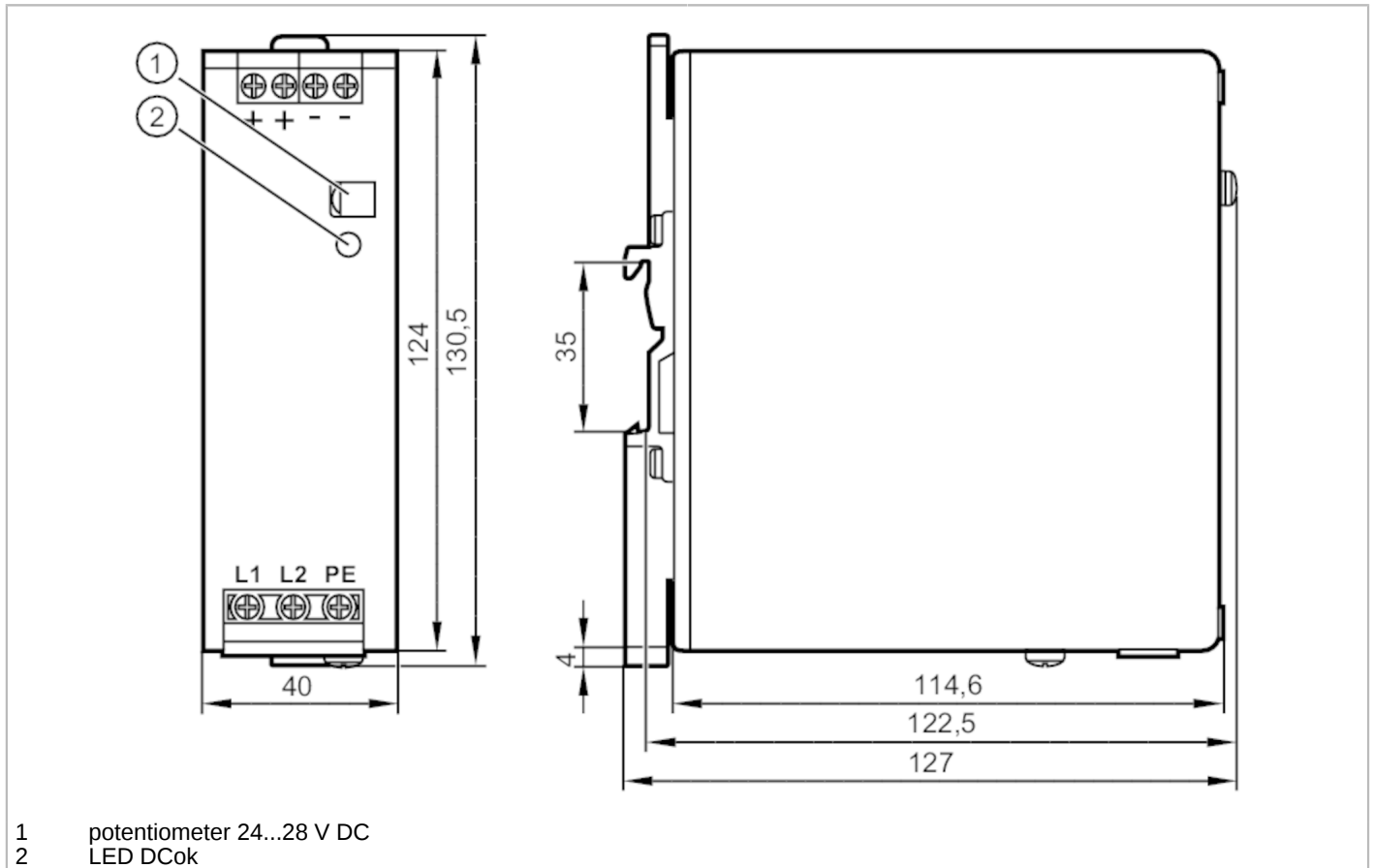


DN4032



Switched-mode power supply 24 V DC

PSU-2AC/24VDC-5A



Application

Design housing for DIN rail mounting

Electrical data

Frequency AC	[Hz]	47...64
Nominal voltage AC	[V]	< 400
Input voltage range AC	[V]	380...480; (-15 % / +20 %)
Output voltage DC	[V]	24...28
Protection class		I; (IEC 61140)
Overvoltage protection		yes; (< 32 DC)
Output voltage	[V]	adjustable; output voltage to SELV, PELV
Max. output current at min. output voltage	[A]	5
Max. output current at max. output voltage	[A]	4.3
Max. output current peak at min. output voltage	[A]	6
Max. output current peak at max. output voltage	[A]	5.2
Output power (permanent)	[W]	120
Output power (peak)	[W]	144
Note on output power (peak)	[W]	≤ 45 °C permitted continuously; > 45 °C < 1 minute every 10 minutes

DN4032



Switched-mode power supply 24 V DC

PSU-2AC/24VDC-5A

Power factor (nominal voltage 400 V AC / 50 Hz)	0.45
Note on power factor (nominal voltage 400 V AC / 50 Hz)	with symmetrical phase voltage
Power factor (nominal voltage 480 V AC / 50 Hz)	0.43
Note on power factor (nominal voltage 480 V AC / 50 Hz)	with symmetrical phase voltage
Power reserve [%]	20
Number of output circuits	1
Max. residual ripple [mV]	50
Switch-on peak current (nominal voltage 400 V AC / 60 Hz) [A]	4
Switch-on peak current (nominal voltage 480 V AC / 50 Hz) [A]	4
Inrush current limitation	yes
Efficiency (nominal voltage 400 V AC / 60 Hz) [%]	90.4
Efficiency (nominal voltage 480 V AC / 50 Hz) [%]	90
External input protection	$\geq B-6 A / \geq C-3 A$
Derating [W/K]	3 (60...70 °C)
Mains buffering time (nominal voltage 400 V AC / 60 Hz) [ms]	27
Mains buffering time (nominal voltage 480 V AC / 50 Hz) [ms]	48
Input current (nominal voltage 400 V AC / 60 Hz) [A]	0.75
Input current (nominal voltage 480 V AC / 50 Hz) [A]	0.68
Power loss (nominal voltage 400 V AC / 60 Hz) [W]	12.7
Power loss (nominal voltage 480 V AC / 50 Hz) [W]	13.3
Back feeding protection [V]	35
Outputs	
Short-circuit proof	yes
Overload protection	yes
Overload performance	constant output current
Operating conditions	
Ambient temperature [°C]	-25...70
Note on ambient temperature	observe the free space for convection (see operating instructions)
Storage temperature [°C]	-40...85
Max. relative air humidity [%]	95; (IEC 60068-2-30)
Protection	IP 20; (EN 60529)
Degree of soiling	2; (IEC 62103: conductive soiling not permitted)

DN4032



Switched-mode power supply 24 V DC

PSU-2AC/24VDC-5A

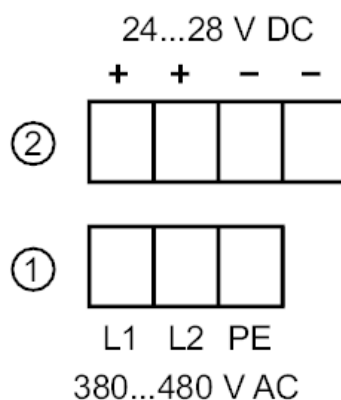
Tests / approvals		
EMC	EN 61000-6-1	
	EN 61000-6-2	
	EN 61000-6-3	
	EN 61000-6-4	
	EN 61000-3-2	class A
Vibration resistance	IEC 60068-2-6	±1,6 mm 2...17,8 Hz / 2 g 17,8...500 Hz
Shock resistance	IEC 60068-2-27	30 g 6 ms / 20 g 11 ms
MTTF [years]		132
Power Factor Correction (PFC)		met

Mechanical data		
Weight [g]		607
Housing		rectangular
Type of mounting		Mounting on DIN rail; (TH35 (EN 60715))
Dimensions [mm]		124 x 40 x 122.5
Material		housing: steel sheet

Displays / operating elements		
Display	DCok	1 x LED

Remarks		
Remarks	series connection of outputs only applies to identical units up to max. 150 V DC overall voltage	
Pack quantity	1 pcs.	

Electrical connection		
screw terminals:		
Connection		



- 1: primary
- 2: secondary

DN4032

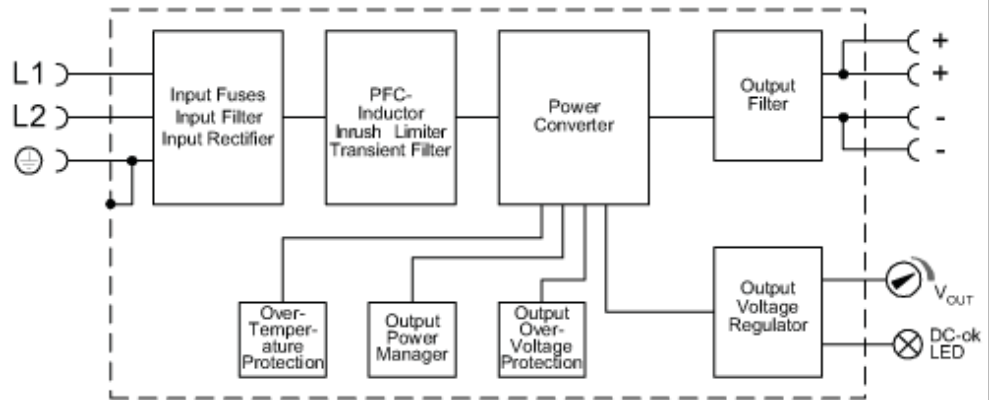


Switched-mode power supply 24 V DC

PSU-2AC/24VDC-5A

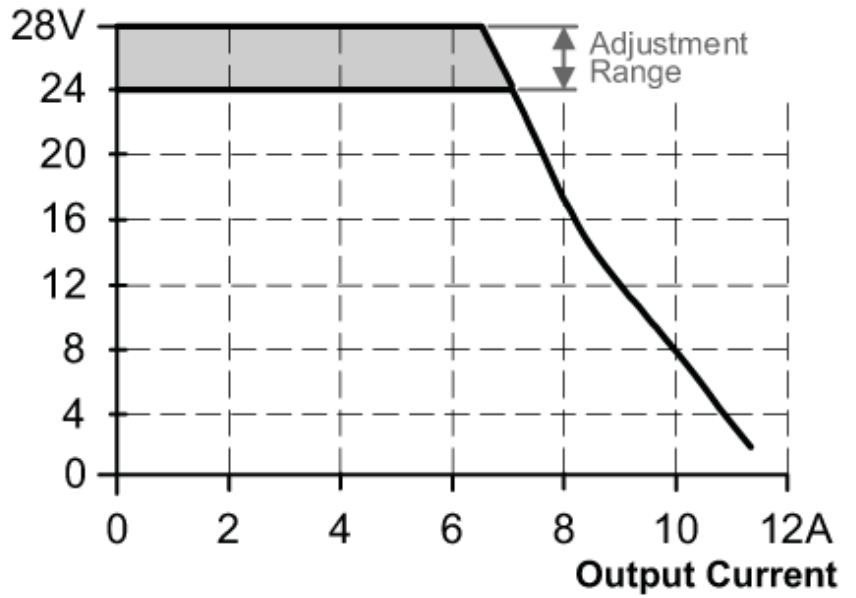
Diagrams and graphs

Block diagram



Output curve

Output Voltage



DN4032

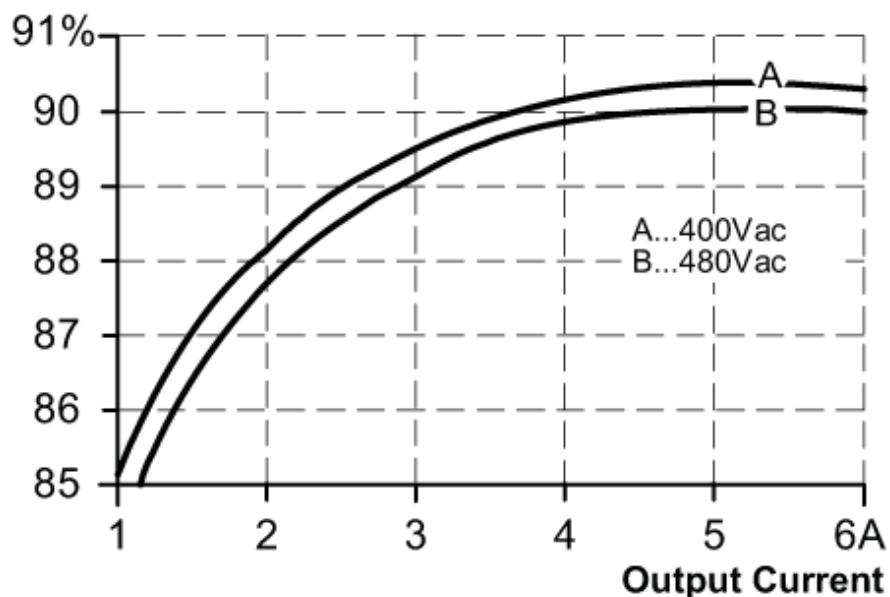


Switched-mode power supply 24 V DC

PSU-2AC/24VDC-5A

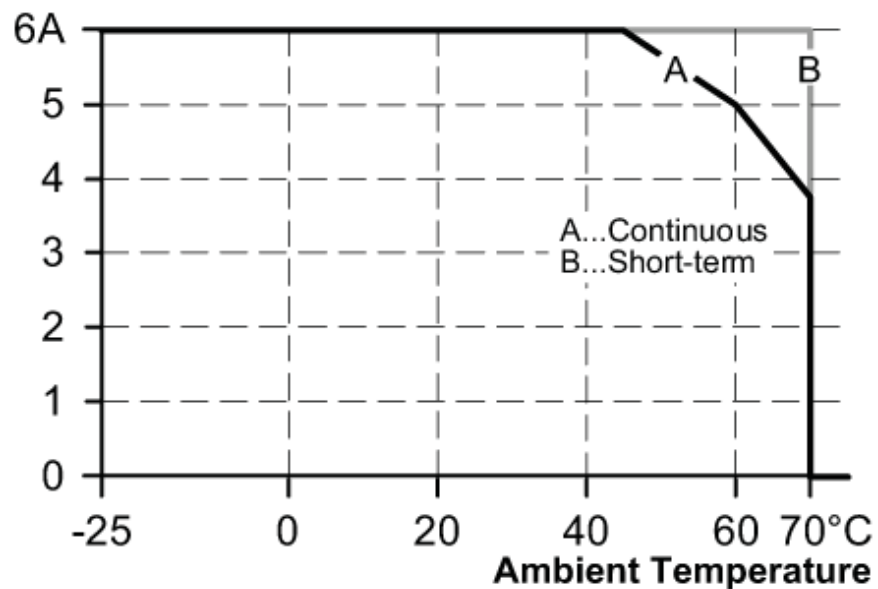
Characteristic curve for degree of efficiency / power loss

Efficiency



Characteristic curve for derating

Allowed Output Current at 24V



DN4032



Switched-mode power supply 24 V DC

PSU-2AC/24VDC-5A

Characteristic curve for mains buffering time

Hold-up Time at 24Vdc

