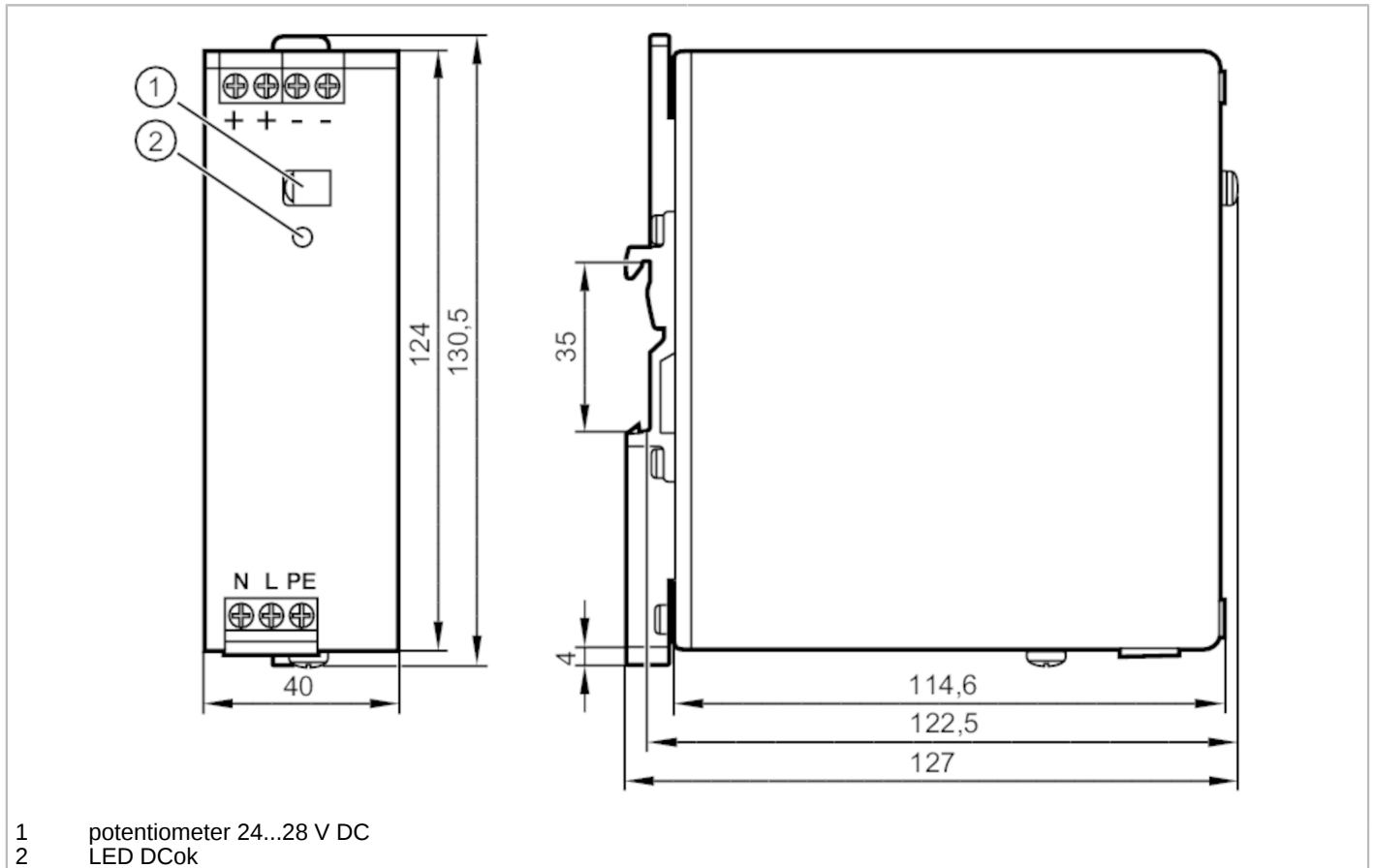


DN4011



Switched-mode power supply 24 V DC

PSU-1AC/24VDC-3,3A



Application	
Design	housing for DIN rail mounting
Electrical data	
Frequency AC	[Hz] 47...64
Nominal voltage AC	[V] < 230
Input voltage range AC	[V] 100...240; (-10 % / +10 %)
Input voltage DC	[V] 110...300; (-20 % / +25 %)
Output voltage DC	[V] 24...28
Protection class	I; (IEC 61140)
Overvoltage protection	yes; (< 39 DC)
Output voltage	[V] adjustable; output voltage to SELV, PELV
Max. output current at min. output voltage	[A] 3.3
Max. output current at max. output voltage	[A] 2.7
Max. output current peak at min. output voltage	[A] 3.3
Max. output current peak at max. output voltage	[A] 2.7
Output power (permanent)	[W] 80
Output power (peak)	[W] 80

DN4011



Switched-mode power supply 24 V DC

PSU-1AC/24VDC-3,3A

Power factor (nominal voltage 120 V AC / 60 Hz)		0.61
Power factor (nominal voltage 230 V AC / 50 Hz)		0.56
Number of output circuits		1
Max. residual ripple [mV]		50
Switch-on peak current (nominal voltage 120 V AC / 60 Hz) [A]		23
Switch-on peak current (nominal voltage 230 V AC / 50 Hz) [A]		45
Inrush current limitation		yes
Efficiency (nominal voltage 120 V AC / 60 Hz) [%]		88
Efficiency (nominal voltage 230 V AC / 50 Hz) [%]		89.8
External input protection		≥ B-10 A / ≥ C-6 A
Derating [W/K]		1.8 (60...70 °C)
Mains buffering time (nominal voltage 120 V AC / 60 Hz) [ms]		30
Mains buffering time (nominal voltage 230 V AC / 50 Hz) [ms]		128
Input current (nominal voltage 120 V AC / 60 Hz) [A]		1.24
Input current (nominal voltage 230 V AC / 50 Hz) [A]		0.68
Power loss (nominal voltage 120 V AC / 60 Hz) [W]		11.1
Power loss (nominal voltage 230 V AC / 50 Hz) [W]		9.1
Back feeding protection [V]		35

Outputs

Overload protection		yes
Overload performance		constant output current

Operating conditions

Ambient temperature [°C]		-25...70
Note on ambient temperature		observe the free space for convection (see operating instructions)
Storage temperature [°C]		-40...85
Max. relative air humidity [%]		95; (IEC 60068-2-30)
Protection		IP 20; (EN 60529)
Degree of soiling		2; (IEC 62103: conductive soiling not permitted)

Tests / approvals

EMC	EN 61000-6-1	
	EN 61000-6-2	
	EN 61000-6-3	
	EN 61000-6-4	
	EN 61000-3-2	class A
Vibration resistance	IEC 60068-2-6	±1,6 mm 2...17,8 Hz / 2 g 17,8...500 Hz
Shock resistance	IEC 60068-2-27	30 g 6 ms / 20 g 11 ms

DN4011



Switched-mode power supply 24 V DC

PSU-1AC/24VDC-3,3A

MTTF	[years]	204
Power Factor Correction (PFC)		met

Mechanical data		
Weight	[g]	569
Housing		rectangular
Type of mounting		Mounting on DIN rail; (TH35 (EN 60715))
Dimensions	[mm]	124 x 40 x 122.5
Material		housing: steel sheet

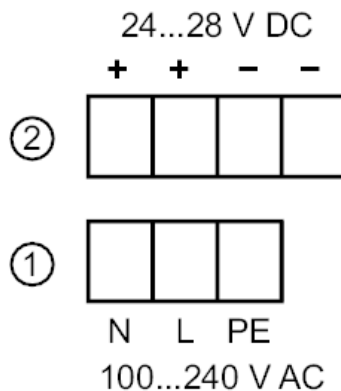
Displays / operating elements		
Display	DCok	1 x LED

Remarks	
Remarks	series connection of outputs only applies to identical units up to max. 150 V DC overall voltage
Pack quantity	1 pcs.

Electrical connection

screw terminals:

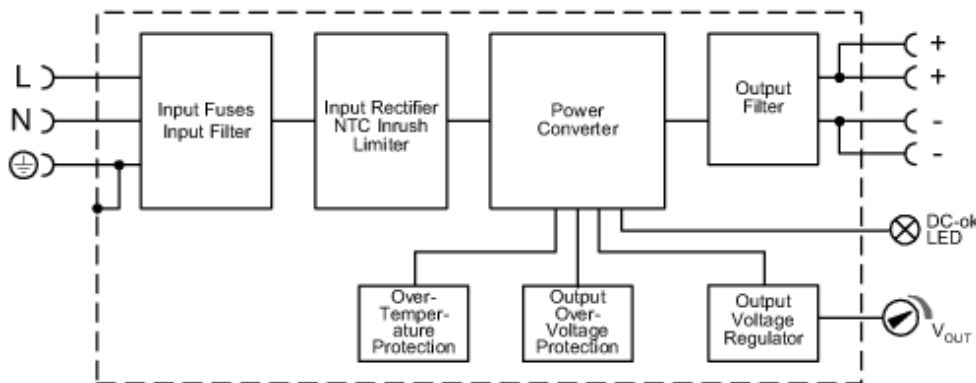
Connection



- 1: primary
- 2: secondary

Diagrams and graphs

Block diagram



DN4011

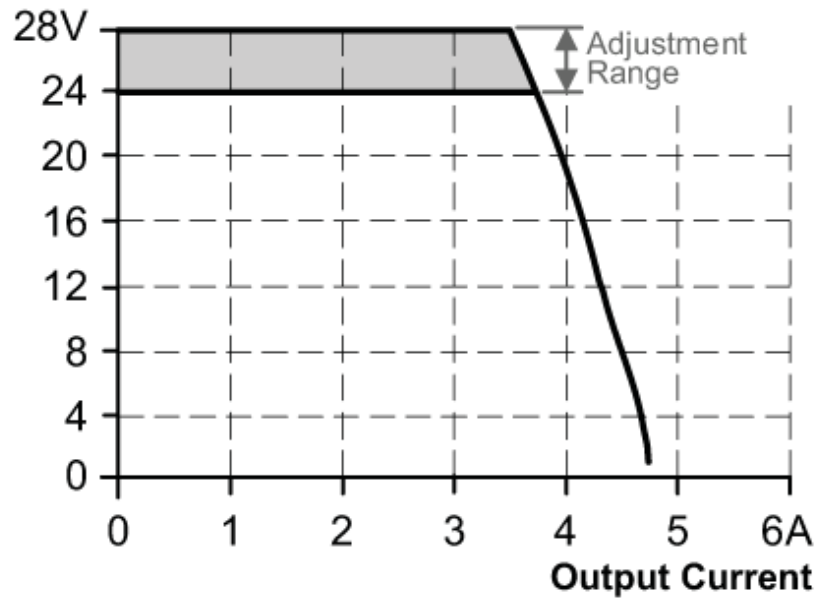


Switched-mode power supply 24 V DC

PSU-1AC/24VDC-3,3A

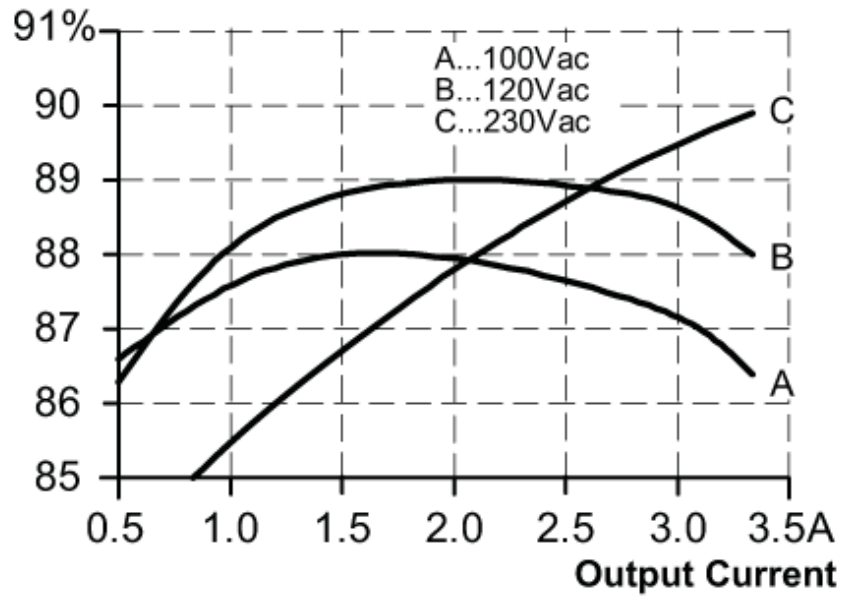
Output curve

Output Voltage



Characteristic curve for degree of efficiency / power loss

Efficiency



DN4011

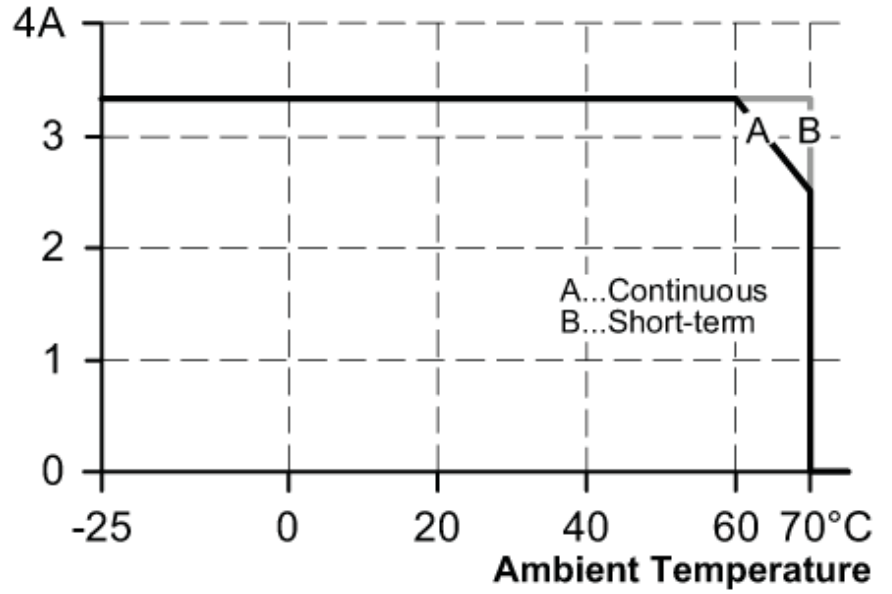


Switched-mode power supply 24 V DC

PSU-1AC/24VDC-3,3A

Characteristic curve for derating

Allowed Output Current at 24V



Characteristic curve for mains buffering time

Hold-up Time at 24V

