

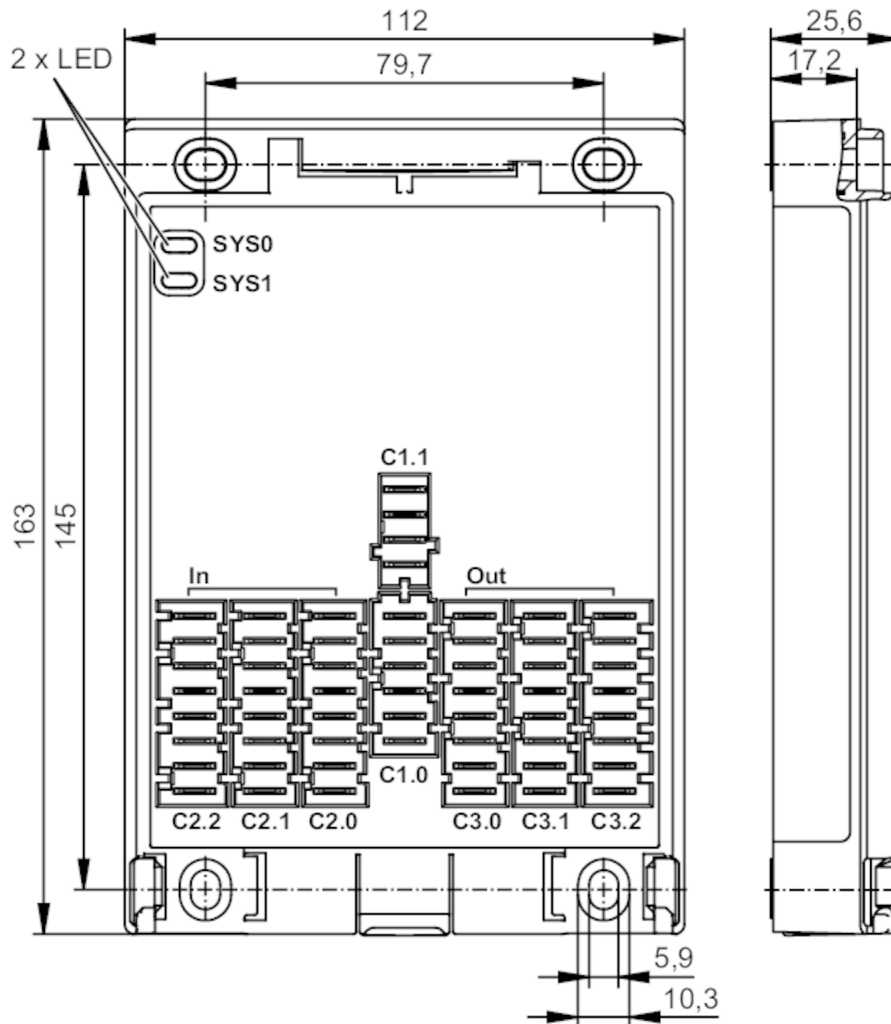
CR403S



Programmable controller for mobile machines

ecomatBasic/24

for use as a safety controller, a separately available licence (CP100S) is required



Product characteristics

Total number of inputs	12
Total number of outputs	12
Communication interface	CAN
Protection	IP 20

Electrical data

Operating voltage [V]	8...32 DC
Nominal voltage DC [V]	12 / 24
Power consumption [W]	4; (VBB30)
Reverse polarity protection	yes; (VBB30; VBB0, VBB1: in case of supply via the on-board system / battery)

Inputs / outputs

Total number of inputs and outputs	24
------------------------------------	----



Programmable controller for mobile machines

ecomatBasic/24

Inputs		
Total number of inputs	12	
Number of frequency inputs	4	
Number of resistor inputs	4	
Number of digital inputs	12	
Number of analog inputs	8	
Digital inputs, frequency signal (IN FREQUENCY-B)		
Number	4	
Plug C2.0	IN0400, IN0401 IN0500, IN0501	
Frequency input	function type	Frequency, cycle time
	software mode	IN_PERIOD_RATIO_CSO IN_PERIOD_RATIO_CSI
	input range [V]	0...32
	Frequency [Hz]	0,01...5000
	Switching level high [V]	> 70 % VBB30
	Switching level low [V]	< 30 % VBB30
	input resistance [Ω]	10000
	Accuracy	± 10 μs
Frequency input	function type	Frequency, cycle time
	software mode	IN_PERIOD_RATIO_US_CSO IN_PERIOD_RATIO_US_CSI
	input range [V]	0...32
	Frequency [Hz]	0,1...5000
	Switching level high [V]	> 70 % VBB30
	Switching level low [V]	< 30 % VBB30
	input resistance [Ω]	10000
	Accuracy	± 10 μs
Frequency input	function type	Frequency, cycle time
	software mode	IN_FREQUENCY_CSO IN_FREQUENCY_CSI
	input range [V]	0...32
	Frequency [Hz]	0,5...30000
	Switching level high [V]	> 70 % VBB30
	Switching level low [V]	< 30 % VBB30
	input resistance [Ω]	10000
	Accuracy	± 10 μs
Frequency input	function type	pulse
	software mode	IN_COUNT_CSO IN_COUNT_CSI
	input range [V]	0...32
	Frequency [Hz]	0...30000
	Switching level high [V]	> 70 % VBB30
	Switching level low [V]	< 30 % VBB30
	input resistance [Ω]	10000
	Accuracy	± 10 μs

CR403S



Programmable controller for mobile machines

ecomatBasic/24

Frequency input	function type	pulse, incremental
	software mode	IN_INC_ENCODER_CSO
		IN_INC_ENCODER_CSI
	input pair	A: IN0400 + B: IN0401
		A: IN0500 + B: IN0501
	input range [V]	0...32
	Frequency [Hz]	0...5000
	Switching level high [V]	> 70 % VBB30
	Switching level low [V]	< 30 % VBB30
	input resistance [Ω]	10000
	Accuracy	± 10 μs
	Frequency input	function type
software mode		IN_PHASE_CSO
		IN_PHASE_CSI
input pair		A: IN0400 + B: IN0401
		A: IN0500 + B: IN0501
input range [V]		0...32
Frequency [Hz]		0,0625...5000
Switching level high [V]		> 70 % VBB30
Switching level low [V]		< 30 % VBB30
input resistance [Ω]		10000
Accuracy		± 10 μs
Analog input		function type
	software mode	IN_VOLTAGE_10
	input range [V]	0...10
	input resistance [Ω]	87600
	Resolution	12 Bit
	Accuracy	± 100 mV
	input frequency [Hz]	< 330
	diagnostic level low	0 V; (configurable)
	diagnostic level high	10 V; (configurable)
	Digital input	function type
software mode		IN_DIGITAL_CSO
input range [V]		0...32
Switching level high [V]		> 65 % VBB30; (configurable)
Switching level low [V]		< 25 % VBB30; (configurable)
Resolution		12 Bit
Accuracy		± 960 mV
input frequency [Hz]		< 330
input resistance [Ω]		10000
diagnostic level low		0 % VBB30; (configurable)
diagnostic level high		100 % VBB30; (configurable)



Programmable controller for mobile machines

ecomatBasic/24

Digital input	function type	binary, low-side
	software mode	IN_DIGITAL_CSI
		IN_DIGITAL_CSI_NAMUR
		IN_DIGITAL_CSI_BLANKING
	input range [V]	0...32
	Switching level high [V]	> 70 % VBB30; (configurable)
	Switching level low [V]	< 30 % VBB30; (configurable)
	Resolution	12 Bit
	Accuracy	± 320 mV
	input frequency [Hz]	< 330
	input resistance [Ω]	10000
	diagnostic level low	0 % VBB30; (configurable)
	diagnostic level high	400 % VBB30; (configurable)
Multifunction inputs, analog / digital (IN MULTIFUNCTION-A)		
Number	4	
Plug C2.2	IN0000, IN0001	
	IN0100, IN0101	
Analog input	function type	Current
	software mode	IN_CURRENT_CSI
	input range [mA]	0...20
	input resistance [Ω]	298
	Resolution	12 Bit
	Accuracy	± 345 µA
	input frequency [Hz]	< 330
	diagnostic level low	0 mA; (configurable)
	diagnostic level high	20 mA; (configurable)
Analog input	function type	Voltage
	software mode	IN_VOLTAGE_10
	input range [V]	0...10
	input resistance [Ω]	67600
	Resolution	12 Bit
	Accuracy	± 100 mV
	input frequency [Hz]	< 330
	diagnostic level low	0 V; (configurable)
	diagnostic level high	10 V; (configurable)
Analog input	function type	Voltage
	software mode	IN_VOLTAGE_32
	input range [V]	0...32
	input resistance [Ω]	51000
	Resolution	12 Bit
	Accuracy	± 320 mV
	input frequency [Hz]	< 330
	diagnostic level low	0 V; (configurable)
	diagnostic level high	32 V; (configurable)



Programmable controller for mobile machines

ecomatBasic/24

Analog input	function type	Voltage, ratiometric
	software mode	IN_VOLTAGE_RATIO
	input range [V]	0...1000 ‰ VBB30
	input resistance [Ω]	51000
	Resolution	12 Bit
	Accuracy	± 320 mV
	input frequency [Hz]	< 330
	diagnostic level low	0 ‰; (configurable)
	diagnostic level high	1000 ‰; (configurable)
	Digital input	function type
software mode		IN_DIGITAL_CSI
		IN_DIGITAL_CSI_NAMUR
input range [V]		0...32
Switching level high [V]		> 70 ‰ VBB30; (configurable)
Switching level low [V]		< 30 ‰ VBB30; (configurable)
Resolution		12 Bit
Accuracy		± 320 mV
input frequency [Hz]		< 330
input resistance [Ω]		9500
diagnostic level low	1 V; (configurable)	
diagnostic level high	400 ‰ VBB30; (configurable)	

Digital / resistor inputs (IN RESISTOR-A)

Number	4	
Plug C2.1	IN0200, IN0201	
	IN0300, IN0301	
Digital input	function type	binary, low-side
	software mode	IN_DIGITAL_CSI
		IN_DIGITAL_CSI_NAMUR
	input range [V]	0...32
	Switching level high [V]	> 70 ‰ VBB30; (configurable)
	Switching level low [V]	< 30 ‰ VBB30; (configurable)
	Resolution	12 Bit
	Accuracy	± 320 mV
	input frequency [Hz]	< 330
	input resistance [Ω]	3200
diagnostic level low	0 ‰ VBB30; (configurable)	
diagnostic level high	400 ‰ VBB30; (configurable)	
Resistor input	function type	binary, high-side
	software mode	IN_RESISTOR
	input range [Ω]	16...30000
	measuring current [mA]	< 2,0
	Resolution	12 Bit
	Accuracy	16...3000 Ω: ± 60 Ω
		3000...15000 Ω: ± 750 Ω
		15000...30000 Ω: ± 3000 Ω
	diagnostic level low	0 Ω; (configurable)
	diagnostic level high	30000 Ω; (configurable)

Outputs

Total number of outputs	12
-------------------------	----

CR403S



Programmable controller for mobile machines

ecomatBasic/24

Number of digital outputs	12	
Number of PWM outputs	12	
Number of PWM-I outputs	2	
Output groups (OutputGroup-B)		
Number	2	
Plug C1.0	VBB0, VBB1	
Output group switch	function type	virtual switch
	software mode	OUT_DIGITAL_VIRT
	Voltage range [V]	6...32
	voltage measurement [V]	0...36
	voltage measurement accuracy [mV]	± 360
	Current rating [A]	12
	lower limit of current monitoring [mA]	0; (configurable)
	upper limit of current monitoring [mA]	12000; (configurable)
Digital / PWM outputs; 2,5 A (OUT PWM-25-A)		
Number	2	
Plug C3.0	OUT0000, OUT0001	
PWM output	function type	binary, high-side
	software mode	OUT_PWM_CSO
	Voltage range [V]	6...32
	switching current [A]	0,025...2,5
	output frequency [Hz]	20...2000
	pulse/pause ratio	0...1000 ‰; (configurable)
	Min. load resistance [Ω]	12 V: 4,8 Ω / 24 V: 9,6 Ω
	protective circuitry	inductive load; thermal protection
	current measurement [A]	0...4
	accuracy of the current measurement [mA]	± 37,5
	Diagnostic functions	wire break; short circuit; current monitoring
	lower limit of current monitoring [mA]	0; (configurable)
	upper limit of current monitoring [mA]	2500; (configurable)
PWM-I output	function type	current-controlled
	software mode	OUT_CURRENT_CSO
	Voltage range [V]	6...32
	switching current [A]	0,025...2,5
	output frequency [Hz]	20...2000
	control range [A]	0,05...2,5
	control resolution [mA]	2
	Min. load resistance [Ω]	12 V: 4,8 Ω / 24 V: 9,6 Ω
	protective circuitry	inductive load; thermal protection
	current measurement [A]	0...4
	accuracy of the current measurement [mA]	± 37,5
	Diagnostic functions	wire break; short circuit; current monitoring
	lower limit of current monitoring [mA]	0; (configurable)
upper limit of current monitoring [mA]	2500; (configurable)	

CR403S



Programmable controller for mobile machines

ecomatBasic/24

Digital output	function type	binary, high-side
	software mode	OUT_DIGITAL_CSO
	Voltage range [V]	6...32
	switching current [A]	0,025...2,5
	Min. load resistance [Ω]	12 V: 4,8 Ω / 24 V: 9,6 Ω
	protective circuitry	inductive load; thermal protection
	current measurement [A]	0...4
	accuracy of the current measurement [mA]	\pm 37,5
	Diagnostic function	wire break; short circuit; current monitoring
	lower limit of current monitoring [mA]	0; (configurable)
upper limit of current monitoring [mA]	2500; (configurable)	

Digital / PWM outputs; 2,5 A (OUT PWM-25-B)

Number	4	
Plug C3.0	OUT0002, OUT0003	
Plug C3.2	OUT0100, OUT0101	
PWM output	function type	binary, high-side
	software mode	OUT_PWM_CSO
	Voltage range [V]	6...32
	switching current [A]	0,025...2,5
	output frequency [Hz]	20...2000
	pulse/pause ratio	0...1000 ‰; (configurable)
	Min. load resistance [Ω]	12 V: 4,8 Ω / 24 V: 9,6 Ω
	protective circuitry	inductive load; thermal protection
	current measurement [A]	0...4
	accuracy of the current measurement [mA]	\pm 188
Diagnostic functions	wire break; short circuit; current monitoring	
lower limit of current monitoring [mA]	0; (configurable)	
upper limit of current monitoring [mA]	2500; (configurable)	
Digital output	function type	binary, high-side
	software mode	OUT_DIGITAL_CSO
	Voltage range [V]	6...32
	switching current [A]	0,025...2,5
	Min. load resistance [Ω]	12 V: 4,8 Ω / 24 V: 9,6 Ω
	protective circuitry	inductive load; thermal protection
	current measurement [A]	0...4
	accuracy of the current measurement [mA]	\pm 188
	Diagnostic function	wire break; short circuit; current monitoring
	lower limit of current monitoring [mA]	0; (configurable)
upper limit of current monitoring [mA]	2500; (configurable)	

Digital / PWM outputs; 4,0 A (OUT PWM-40-B)

Number	2	
Plug C3.2	OUT0102, OUT0103	



Programmable controller for mobile machines

ecomatBasic/24

PWM output	function type	binary, high-side
	software mode	OUT_PWM_CSO
	Voltage range [V]	6...32
	switching current [A]	0,025...4,0
	output frequency [Hz]	20...2000
	pulse/pause ratio	0...1000 ‰; (configurable)
	Min. load resistance [Ω]	12 V: 4,8 Ω / 24 V: 9,6 Ω
	protective circuitry	inductive load; thermal protection
	current measurement [A]	0...6
	accuracy of the current measurement [mA]	\pm 300
	Diagnostic functions	wire break; short circuit; current monitoring
	lower limit of current monitoring [mA]	0; (configurable)
	upper limit of current monitoring [mA]	4000; (configurable)
	Digital output	function type
software mode		OUT_DIGITAL_CSO
Voltage range [V]		6...32
switching current [A]		0,025...4,0
Min. load resistance [Ω]		12 V: 4,8 Ω / 24 V: 9,6 Ω
protective circuitry		inductive load; thermal protection
current measurement [A]		0...6
accuracy of the current measurement [mA]		\pm 300
Diagnostic function		wire break; short circuit; current monitoring
lower limit of current monitoring [mA]		0; (configurable)
upper limit of current monitoring [mA]		4000; (configurable)

Digital / PWM outputs; 1,0 A (OUT PWM-10-D)

Number	4	
Plug C3.1	OUT0004...OUT0007	
PWM output	function type	binary, high-side
	software mode	OUT_PWM_CSO
	Voltage range [V]	6...32
	switching current [A]	0,025...1,0
	output frequency [Hz]	20...2000
	pulse/pause ratio	1...1000 ‰; (configurable)
	Resolution	1 ‰; (20...250 Hz)
	Min. load resistance [Ω]	12 V: 12 Ω / 24 V: 24 Ω
	protective circuitry	inductive load; thermal protection
	Digital output	function type
software mode		OUT_DIGITAL_CSO
Voltage range [V]		6...32
switching current [A]		0,025...1,0
Min. load resistance [Ω]		12 V: 12 Ω / 24 V: 24 Ω
protective circuitry	inductive load; thermal protection	

Software / programming

Parameter setting options	CODESYS 3.5
PLC function to IEC 61131-3	yes
Operating system	real-time operating system

Interfaces

Communication interface	CAN
-------------------------	-----

CR403S



Programmable controller for mobile machines

ecomatBasic/24

Number of CAN interfaces	2
Transmission rate	20 kBit/s... 1 MBit/s
Protocol	CANopen; SAE J1939
Interface	CAN Interface 2.0 A/B ISO 11898

Operating conditions

Ambient temperature [°C]	-40...85
Note on ambient temperature	for further details see section Diagrams and graphs
Storage temperature [°C]	-40...85
Max. relative air humidity [%]	90; (non condensing)
Max. height above sea level [m]	5000
Protection	IP 20
Degree of soiling	2
Chemical media	ISO 16750-5 AA, BA, BD, CC, DB, DC, DD chemical resistance of the plastics only one chemical permitted at a time

Tests / approvals

EMC	IEC 61000-6-2	noise immunity
	IEC 61000-6-4	noise emission
	ISO 7637-2 pulse 1	severity level 4 / function state C (24 V)
	ISO 7637-2 pulse 2a	severity level 4 / function state A (24 V)
	ISO 7637-2 pulse 2b	severity level 4 / function state C (24 V)
	ISO 7637-2 pulse 3a	severity level 4 / function state A (24 V)
	ISO 7637-2 pulse 3b	severity level 4 / function state A (24 V)
	ISO 7637-2 pulse 4	severity level 3 / function state B (12 V)
	ISO 7637-2 pulse 4	severity level 4 / function state B (24 V)
	ISO 16750-2 (load dump)	function state D (24 V)
	DIN EN ISO 13766-1	earth-moving and construction machines
	UN/ECE-R10	Noise emission and noise interference:
	Continuous shock resistance	ISO 16750-3
Vibration resistance	ISO 16750-3 Test VII	random, mounting place car body
	EN 60068-2-6 sine	10...500 Hz / 10 cycles/axis, sine
Climatic tests	EN 60068-2-30 damp heat: cyclical	55 °C upper temperature limit / 6 cycles
	EN 60068-2-78 damp heat: constant	40 °C 93 % rH / test period 21 days
Electrical safety	IEC 61010-1	safety requirements: general requirements
	IEC 61010-2-201	safety requirements: particular requirements for control equipment
Railway applications	EN 50121-3-2	
	EN 50155	

Mechanical data

Weight [g]	424.4
Housing	rectangular
Type of mounting	screw mounting; (4 x M4)
Dimensions [mm]	163 x 112 x 25.6
Material	housing: PPE + PS

Displays / operating elements

Display	status (SYS0)	1 LED, multi-color
	status (SYS1)	1 LED, multi-color



Programmable controller for mobile machines

ecomatBasic/24

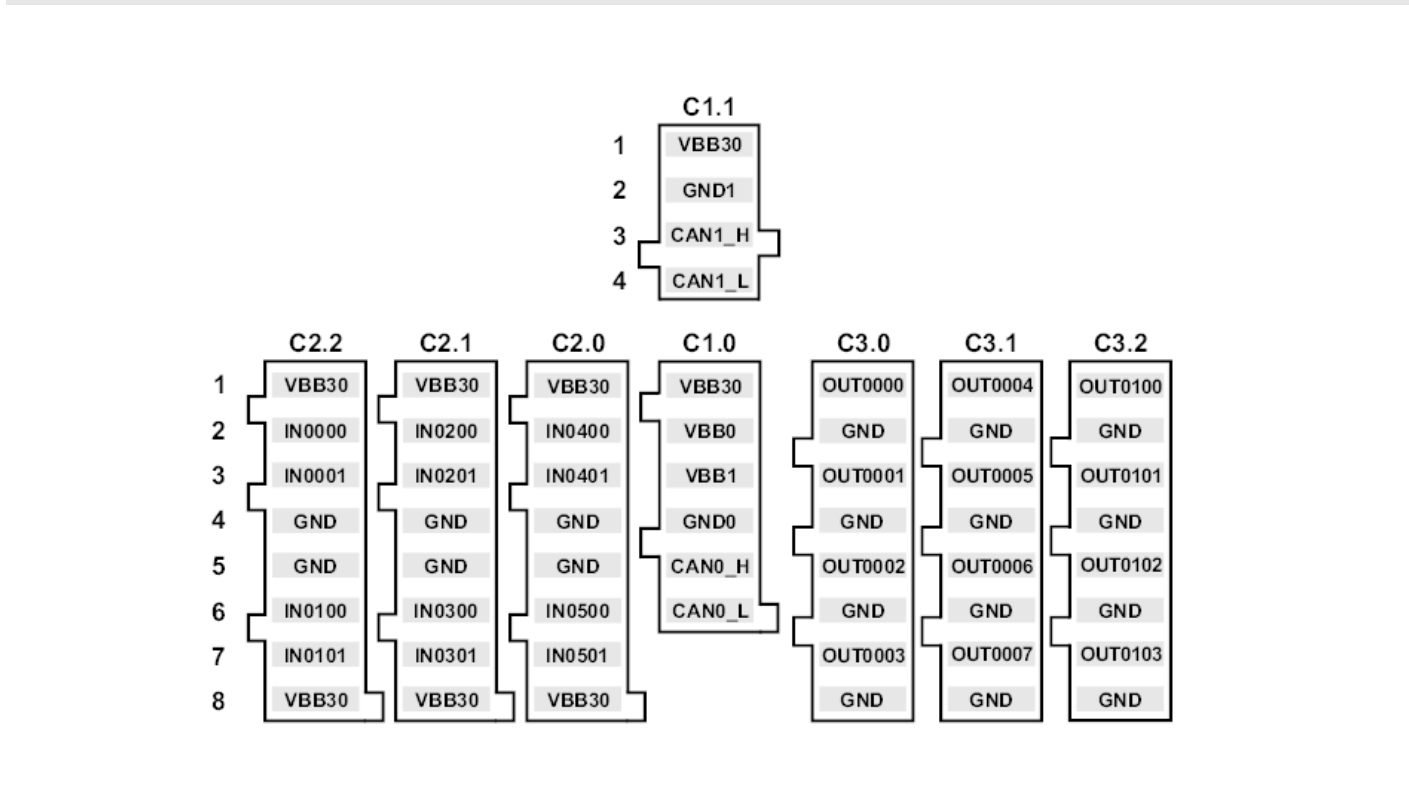
Operating states - system / hardware		
Display	no operating system loaded	LED (SYS0), green flashing 5 Hz
	hardware error fatal error+	LED (SYS0), red lights
	system error fatal error	LED (SYS0/SYS1), red lights
	update	LED (SYS0/SYS1), yellow/green flashing 2 Hz
	sleep mode	LED (SYS0), blue lights

PLC application (SYS0 / SYS1)		
Display	no application	LED, green lights
	run	LED, green flashing 2 Hz
	fault	LED, red flashing 10 Hz
	debug run	LED, yellow flashing 2 Hz
	debug stop	LED, yellow lights

Hardware	
Processor	32-Bit Triple-Core
Working memory	2,7 MByte RAM
Mass storage	9 MByte Flash
Non-volatile memory	10 kByte
Boot time	≤ 3 s

Remarks	
Notes	for use as a safety controller, a separately available licence (CP100S) is required
Pack quantity	1 pcs.

Electrical connection



CR403S



Programmable controller for mobile machines

ecomatBasic/24

voltage supply / C1.0

1	VBB30
2	VBB0
3	VBB1
4	GND0
5	CAN0_H
6	CAN0_L

voltage supply / C1.1

1	VBB30
2	GND1
3	CAN1_H
4	CAN1_L

IN FREQUENCY - B / C2.0

1	VBB30
2	IN0400
3	IN0401
4	GND
5	GND
6	IN0500
7	IN0501
8	VBB30

IN RESISTOR - A / C2.1

1	VBB30
2	IN0200
3	IN0201
4	GND
5	GND
6	IN0300
7	IN0301
8	VBB30

IN MULTIFUNCTION - A / C2.2

1	VBB30
2	IN0000
3	IN0001
4	GND
5	GND
6	IN0100
7	IN0101
8	VBB30

OUT PWM-25-A / C3.0

1	OUT0000
2	GND
3	OUT0001
4	GND

OUT PWM-25-B / C3.0

5	OUT0002
6	GND
7	OUT0003
8	GND



Programmable controller for mobile machines

ecomatBasic/24

OUT PWM-10-D / C3.1

1	OUT0004
2	GND
3	OUT0005
4	GND
5	OUT0006
6	GND
7	OUT0007
8	GND

OUT PWM-25-B / C3.2

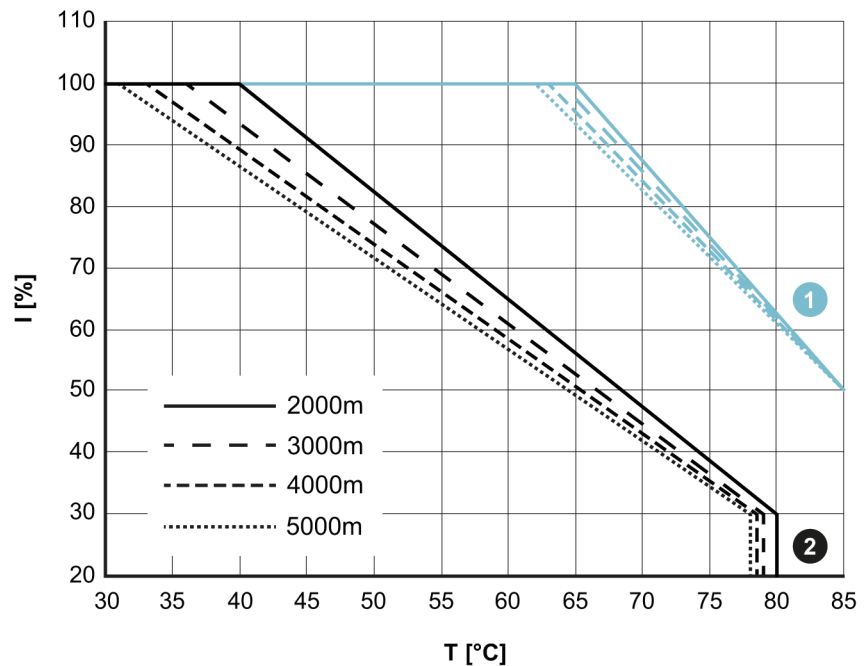
1	OUT0100
2	GND
3	OUT0101
4	GND

OUT PWM-40-B / C3.2

5	OUT0102
6	GND
7	OUT0103
8	GND

Diagrams and graphs

characteristics current rating



characteristics for the current rating depending on the temperature and operating altitude

X: Ambient temperature T [°C]

Y: current rating for VBB0, VBB1 I [%]

1: installation on painted metal plate

2: installation in a standard cabinet on a surface with low thermal conductivity (e.g. wood/plastic)

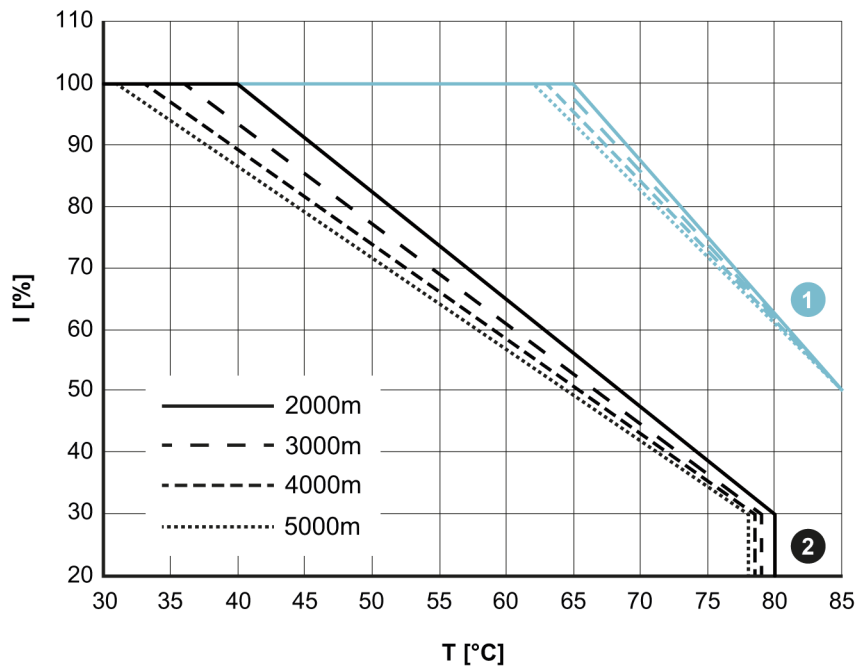
CR403S



Programmable controller for mobile machines

ecomatBasic/24

characteristics switching current



characteristics for the switching current depending on the temperature and operating altitude

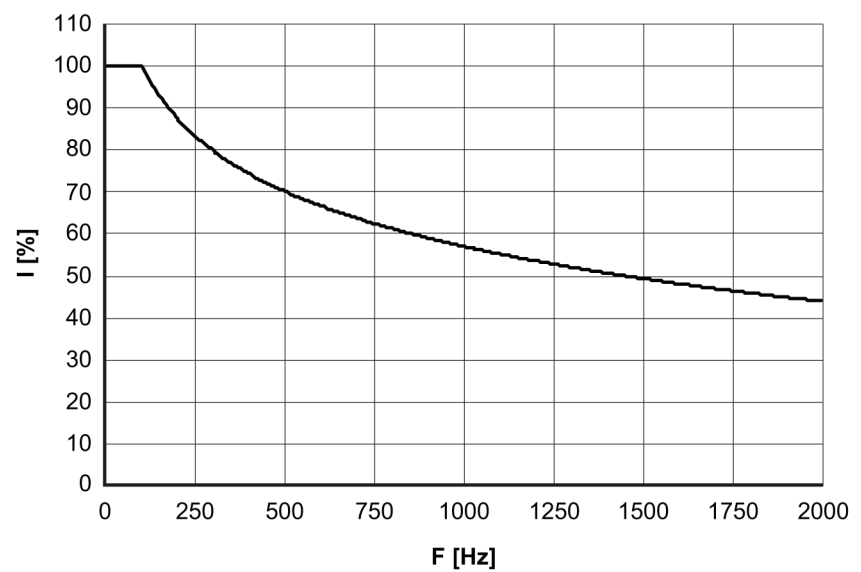
X: Ambient temperature T [°C]

Y: switching current of the outputs I [%]

1: installation on painted metal plate

2: installation in a standard cabinet on a surface with low thermal conductivity (e.g. wood/plastic)

characteristics output frequency



characteristics for the switching current depending on the output frequency

X: output frequency F [Hz]

Y: switching current of the outputs I [%]