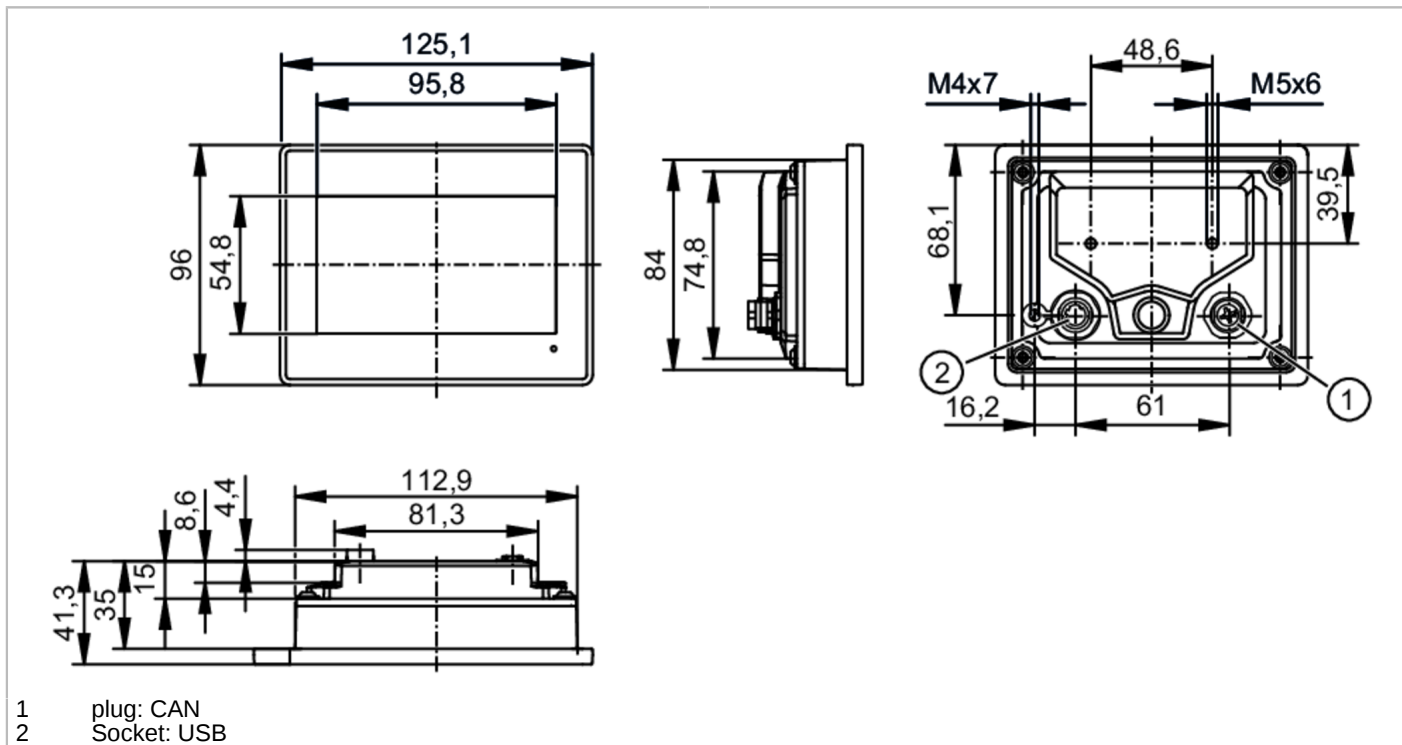


# CR1143



## Programmable Human Machine Interface

ecomatDisplay/4.3"/TOUCH/U



Product characteristics	
Communication interface	CAN; USB
Display type	color display with touch function
Application	
Application	for mobile applications; For use in industrial environments; for use in wet environments
Electrical data	
Operating voltage [V]	8...32 DC; (to SELV/PELV)
Nominal voltage DC [V]	12 / 24
Current consumption [mA]	< 333; (24 V DC)
Power consumption [W]	8
Overvoltage category	II
Inputs / outputs	
Number of inputs and outputs	Number of digital inputs: 1
Inputs	
Number of digital inputs	1; (non-configurable service input)
Software / programming	
Parameter setting options	CODESYS 3.5; Qt
PLC function to IEC 61131-3	yes
Operating system	Embedded Linux
Interfaces	
Communication interface	CAN; USB
Number of CAN interfaces	1
Number of USB interfaces	1



## Programmable Human Machine Interface

ecomatDisplay/4.3"/TOUCH/U

CAN		
Transmission rate	10 kBit/s... 1 MBit/s	
Protocol	CANopen; SAE J1939; free protocol	
Profile	CiA DS 301 Version 4.2; CiA DS 401 Version 1.4	
Interface	CAN Interface 2.0 A/B ISO 11898	
Factory settings	Transmission rate: 250 kBit/s	
USB		
Transmission rate	< 480 MBit/s	
Version	2.0	
Operating conditions		
Ambient temperature	[°C]	-30...65
Note on ambient temperature		2000 m: -30...65 °C
		3000 m: -30...61 °C
		4000 m: -30...60 °C
		5000 m: -30...58 °C
		The mainboard temperature must not exceed 80 °C. for further information please see the operating instructions
Storage temperature	[°C]	-30...85
Max. relative air humidity	[%]	90; (non condensing)
Max. height above sea level	[m]	5000
Protection		IP 65; IP 67
Degree of soiling		2; (before installation and when the device is replaced)
Chemical media	ISO 16750-5	AA, BA, BD, CC, DB, DC, DD, ED
		only one chemical permitted at a time
Tests / approvals		
EMC	UNECE-R10 Noise emission and noise interference:	100 V/m
	DIN EN IEC 61000-6-2	noise immunity
	DIN EN IEC 61000-6-4	noise emission
	DIN EN IEC 13766-1	earth-moving and construction machines
	ISO 10605 ESD	
	ISO 7637-2 pulse 1	severity level 4 / function state C (24 V)
	ISO 7637-2 pulse 2a	severity level 4 / function state A (24 V)
	ISO 7637-2 pulse 2b	severity level 4 / function state C (24 V)
	ISO 7637-2 pulse 3a	severity level 4 / function state A (24 V)
	ISO 7637-2 pulse 3b	severity level 4 / function state A (24 V)
	ISO 16750-2 pulse 4	severity level 4 / function state A (12 V)
	ISO 16750-2 pulse 4	severity level 4 / function state A (24 V)
	ISO 16750-2 pulse 5	severity level 3 / function state C (24 V)
	ISO 16750-2 pulse 4	severity level 4 / function state A (12 V)
Continuous shock resistance	ISO 16750-3	30 g 6 ms / 24000 shocks
Fast temperature changes	EN 60068-2-30 damp heat: cyclical	55 °C upper temperature limit / 6 cycles
	EN 60068-2-78 damp heat: constant	40 °C 93 % rH / test period 21 days
Vibration resistance	ISO 16750-3 Test VII	random, mounting place car body
	EN 60068-2-6 sine	10...500 Hz / 0.72 mm / 10 g 10 cycles/axis, sine
Salt spray test	EN 60068-2-52 Salt spray	test method 3 / motor vehicle

# CR1143



## Programmable Human Machine Interface

ecomatDisplay/4.3"/TOUCH/U

MTTF	[years]	117
Railway applications	DIN EN 50155 Pkt 13.3	
	EN 50121-3-2	
	EN 55016	

### Mechanical data

Weight	[g]	477.9
Type of mounting	panel/surf.; installation in panels or panel cutouts	
Dimensions	[mm]	96 x 125.1 x 41.3
Material	housing: diecast aluminium powder-coated; Display: glass anti-reflective and hardened; rear of the housing: plastics; diaphragm: Gore-Tex	
Information on service life	Display LED lifetime:	> 50000 h

### Displays / operating elements

Display	Status LED	1 LED, multi-color freely programmable
Display resolution	800 x 480	
Display type	color display with touch function	
Display size	4.3"	
Aspect ratio	16:10	
Display background illumination	LED	
Color depth	24 Bit	
Brightness	[cd/m <sup>2</sup> ]	1000; (adjustable: 0...100 %; In steps of: 1 %)
Contrast ratio	800:1	

### Hardware

Processor	ARM Dual Core 64 Bit 1,4 GHz
Working memory	1 GByte RAM
Mass storage	4 GByte Flash
Non-volatile memory	8 kByte

### Data memory

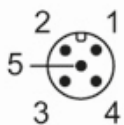
Real-time clock	yes; UTC, battery buffered
-----------------	----------------------------

### Remarks

Pack quantity	1 pcs.
---------------	--------

### Electrical connection - CAN

Connector: 1 x M12; coding: A



- 1: Service
- 2: VBB30
- 3: GND
- 4: CAN\_H
- 5: CAN\_L

# CR1143



## Programmable Human Machine Interface

ecomatDisplay/4.3"/TOUCH/U

### Electrical connection - USB

Connector: 1 x M12; coding: B



1:	+ 5 V DC
2:	- Data
3:	+ Data
4:	ID
5:	GND
SCREEN:	FE screen connected to plug