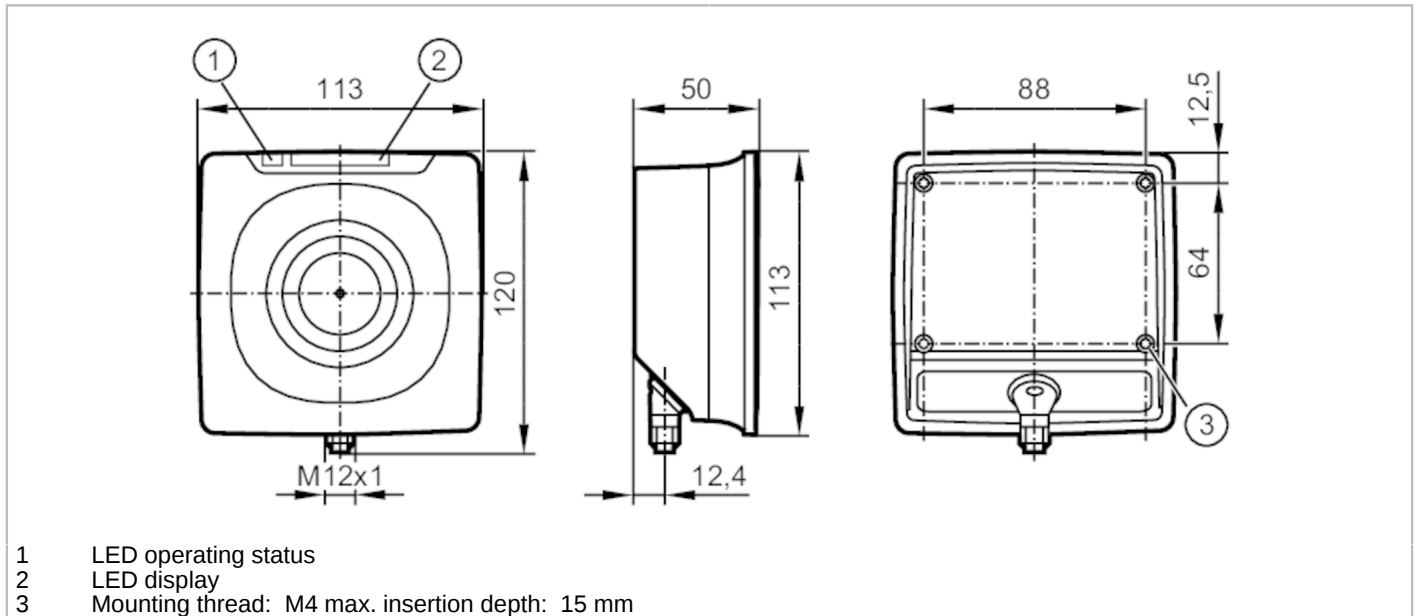


ANT600



RFID read/write head HF

DTRHF HLRWIDUS03



Application		
Application	Detection of objects on transport equipment	
Radio approval for	EU/RED; Japan; Australia; China; Taiwan; India; Singapore; Ukraine; Malaysia; Brazil; Canada; Mexico; New Zealand; South Korea; USA; Vietnam	
Note on radio approval	The list of countries applying the European Radio Equipment Directive 2014/53/EU (RED) can be found under "Downloads".	
Electrical data		
Operating voltage [V]	19.2...28.8 DC; (supply only via the DTE10x evaluation unit)	
Current consumption [mA]	< 150	
Protection class	III	
Operating frequency [MHz]	13,56	
Monitoring range		
Distance write/read head front [mm]	400	
Distance write/read head side [mm]	600	
Distance to the ID tag [mm]	referred to the ID tag E80384 : < 190 referred to an ISO card E80407 : < 230	
Interfaces		
Communication interface	DATA / DTE10x	
Operating conditions		
Ambient temperature [°C]	-20...60	
Storage temperature [°C]	-25...80	
Protection	IP 67	
Tests / approvals		
Shock resistance	EN 60068-2-27	40 g 6 ms / bump
	EN 60068-2-27	50 g 11 ms / single shock
Vibration resistance	EN 60068-2-6	2 g 10...150 Hz

ANT600



RFID read/write head HF

DTRHF HLRWIDUS03

UL approval	Ta	-20...60 °C
	Enclosure type	Type 1
	voltage supply	Limited Voltage/Current
	File number UL	E205959

Mechanical data

Weight	[g]	450
Dimensions	[mm]	120 x 50 x 113
Material		PBT; PC; stainless steel

Displays / operating elements

Display	Power	1 x LED, green
	tag communication	4 x LED display, yellow signal strength ID tag

Remarks

Remarks	For the distances to other ID tags see the respective data sheet (E803xx)
Pack quantity	1 pcs.

Electrical connection

Connector: 1 x M12; coding: A



Connection

