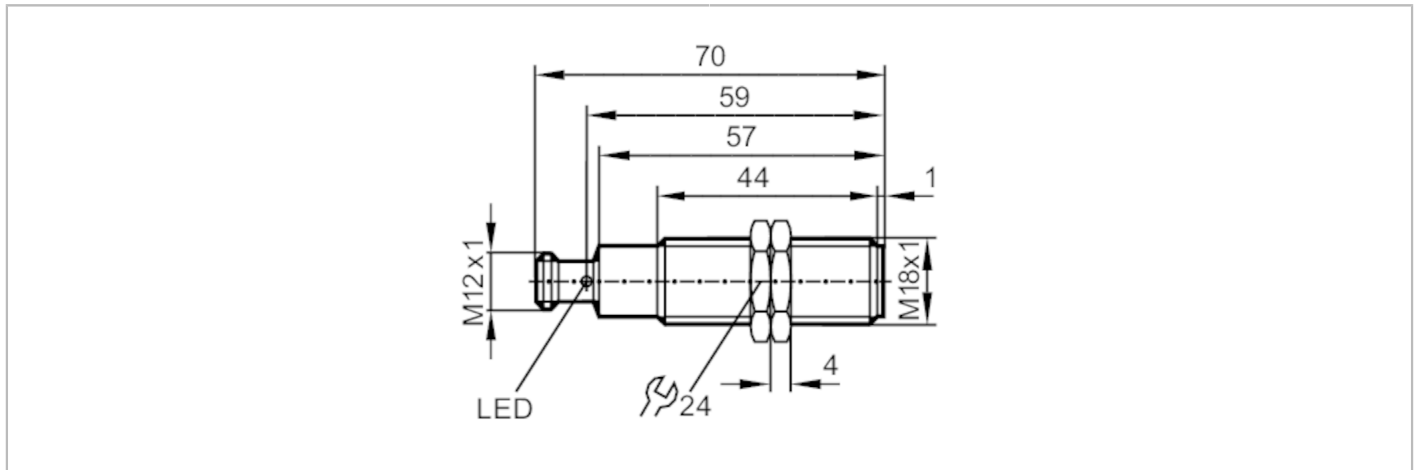


ANT424



RFID read/write head HF

DTRHF GBRWIDUS03



| Application | |
|-------------------------------------|--|
| Application | Detection of objects on transport equipment |
| Radio approval for | USA; Canada; EU/RED; Australia; Japan; China; Taiwan; India; Singapore; Ukraine |
| Note on radio approval | The list of countries applying the European Radio Equipment Directive 2014/53/EU (RED) can be found under "Downloads". |
| Electrical data | |
| Operating voltage [V] | 19.2...28.8 DC; (Supply only via the DTE10x evaluation unit (to EN 60950-1)) |
| Current consumption [mA] | < 50 |
| Protection class | III |
| Operating frequency [MHz] | 13,56 |
| RFID standard | ISO 15693 |
| Monitoring range | |
| Distance write/read head front [mm] | 100 |
| Distance write/read head side [mm] | 60 |
| Distance to the ID tag [mm] | ≤ 16 |
| Interfaces | |
| Communication interface | DATA / DTE10x |
| Operating conditions | |
| Ambient temperature [°C] | -20...60 |
| Storage temperature [°C] | -25...80 |
| Protection | IP 67; IP 69K |
| Tests / approvals | |
| Shock resistance | EN 60068-2-27 50 g 11 ms / 40 g (6 ms, continuous) |
| Vibration resistance | EN 60068-2-6 20 g 10...2000 Hz |
| MTTF [years] | 553 |
| Mechanical data | |
| Weight [g] | 108.85 |
| Housing | Threaded type |
| Mounting | flush mountable |

ANT424



RFID read/write head HF

DTRHF GBRWIDUS03

| | |
|--------------------|--|
| Dimensions [mm] | M18 x 1 / L = 70 |
| Thread designation | M18 x 1 |
| Material | housing: stainless steel; Protective cover: PPS; LED window: PEI |

Displays / operating elements

| | | |
|---------|-------------------|-----------------|
| Display | Power | 1 x LED, green |
| | tag communication | 1 x LED, yellow |

Accessories

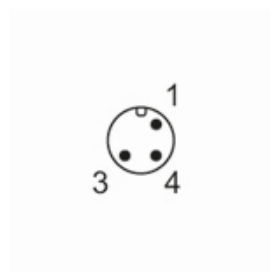
| | |
|----------------|--------------------|
| Items supplied | lock nuts: 2 x M18 |
|----------------|--------------------|

Remarks

| | |
|---------------|--------|
| Pack quantity | 1 pcs. |
|---------------|--------|

Electrical connection

Connector: 1 x M12; coding: A



Connection

