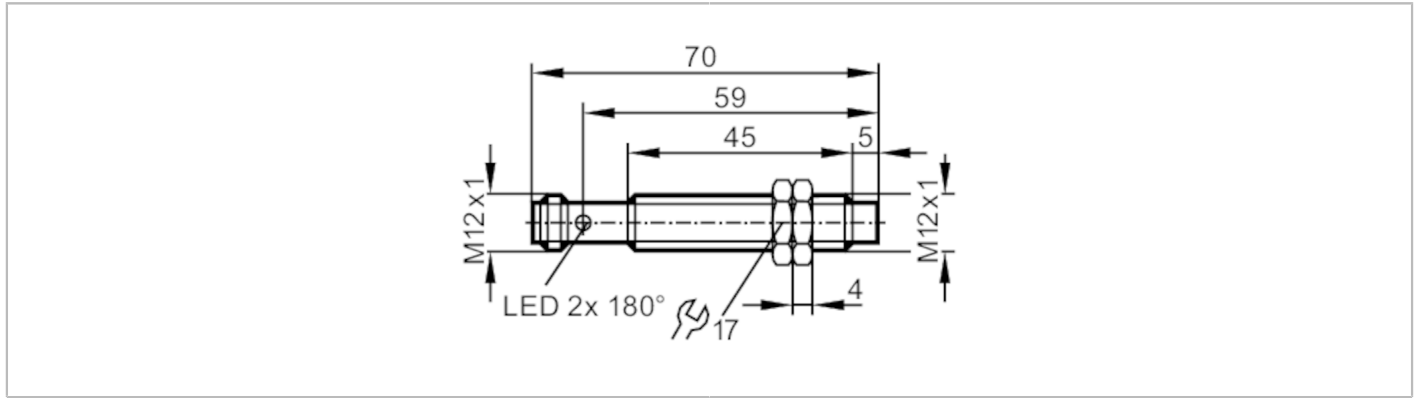


ANT411



RFID read/write head HF

DTRHF FNRWIDUS03



Application		
Application	Detection of objects on transport equipment	
Radio approval for	USA; Canada; EU/RED; Australia; Japan; China; Taiwan; India; South Korea; Singapore; Ukraine	
Note on radio approval	The list of countries applying the European Radio Equipment Directive 2014/53/EU (RED) can be found under "Downloads".	
Electrical data		
Operating voltage [V]	19.2...28.8 DC; (Supply only via the DTE10x evaluation unit (to EN 60950-1))	
Current consumption [mA]	< 50	
Protection class	III	
Operating frequency [MHz]	13,56	
RFID standard	ISO 15693	
Monitoring range		
Distance write/read head front [mm]	90	
Distance write/read head side [mm]	25	
Distance to the ID tag [mm]	referred to 20 mm coin tag; I-CODE SLI : ≤ 18 only for static applications	
Interfaces		
Communication interface	DATA / DTE10x	
Operating conditions		
Ambient temperature [°C]	-20...60	
Storage temperature [°C]	-25...80	
Protection	IP 67; IP 69K	
Tests / approvals		
Shock resistance	EN 60068-2-27	40 g 6 ms / repetitive
	EN 60068-2-27	50 g 11 ms / not repetitive
Vibration resistance	EN 60068-2-6	20 g 10...2000 Hz
MTTF [years]		613.74
Mechanical data		
Weight [g]		83.75
Housing		Threaded type

ANT411



RFID read/write head HF

DTRHF FNRWIDUS03

Mounting	non-flush mountable
Dimensions [mm]	M12 x 1 / L = 70
Thread designation	M12 x 1
Material	housing: stainless steel; Protective cover: PPS

Displays / operating elements

Display	Power	1 x LED, green
	tag communication	1 x LED, yellow

Accessories

Items supplied	lock nuts: 2 x M12
----------------	--------------------

Remarks

Remarks	
Pack quantity	1 pcs.

Electrical connection

Connector: 1 x M12; coding: A



Connection

