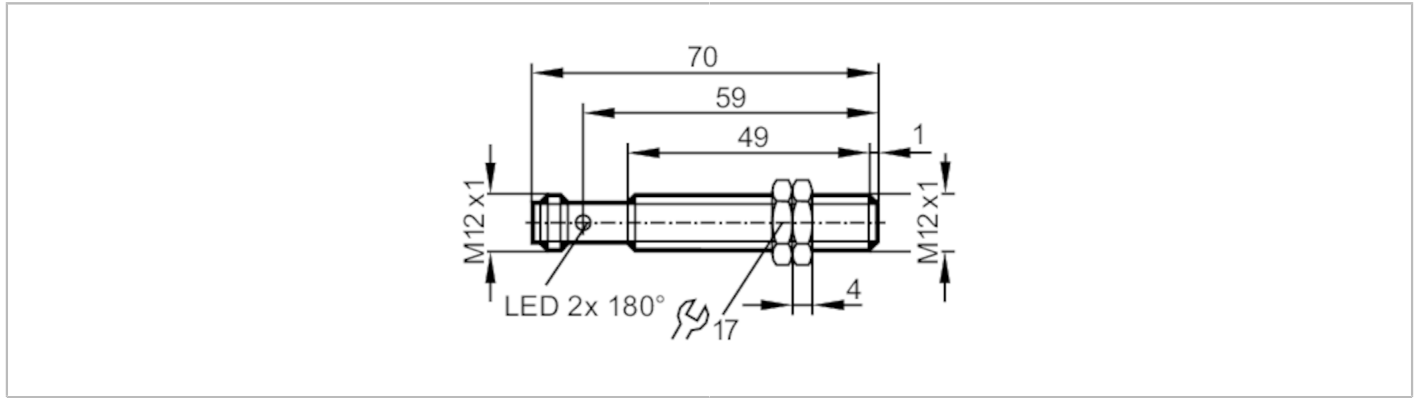


ANT410



RFID read/write head HF

DTRHF FBRWIDUS03



Application

Application	Detection of objects on transport equipment
Radio approval for	USA; Canada; EU/RED; Australia; Japan; China; Taiwan; India; Singapore; Ukraine
Note on radio approval	The list of countries applying the European Radio Equipment Directive 2014/53/EU (RED) can be found under "Downloads".

Electrical data

Operating voltage [V]	19.2...28.8 DC; (Supply only via the DTE10x evaluation unit (to EN 60950-1))
Current consumption [mA]	< 50
Protection class	III
Operating frequency [MHz]	13,56
RFID standard	ISO 15693

Monitoring range

Distance write/read head front [mm]	40
Distance write/read head side [mm]	20
Distance to the ID tag [mm]	referred to 20 mm coin tag; I-CODE SLI : ≤ 12 only for static applications

Interfaces

Communication interface	DATA / DTE10x
-------------------------	---------------

Operating conditions

Ambient temperature [°C]	-20...60
Storage temperature [°C]	-25...80
Protection	IP 67; IP 69K

Tests / approvals

Shock resistance	EN 60068-2-27	40 g 6 ms / repetitive
	EN 60068-2-27	50 g 11 ms / not repetitive
Vibration resistance	EN 60068-2-6	20 g 10...2000 Hz
MTTF [years]		610.46

Mechanical data

Weight [g]	83.75
Housing	Threaded type
Mounting	flush mountable

ANT410



RFID read/write head HF

DTRHF FBRWIDUS03

Dimensions [mm]	M12 x 1 / L = 70
Thread designation	M12 x 1
Material	housing: stainless steel; Protective cover: PPS

Displays / operating elements

Display	Power	1 x LED, green
	tag communication	1 x LED, yellow

Accessories

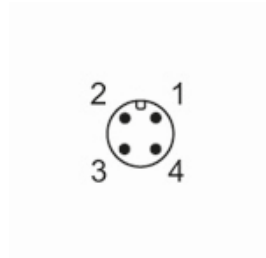
Items supplied	lock nuts: 2 x M12
----------------	--------------------

Remarks

Pack quantity	1 pcs.
---------------	--------

Electrical connection

Connector: 1 x M12; coding: A



Connection

