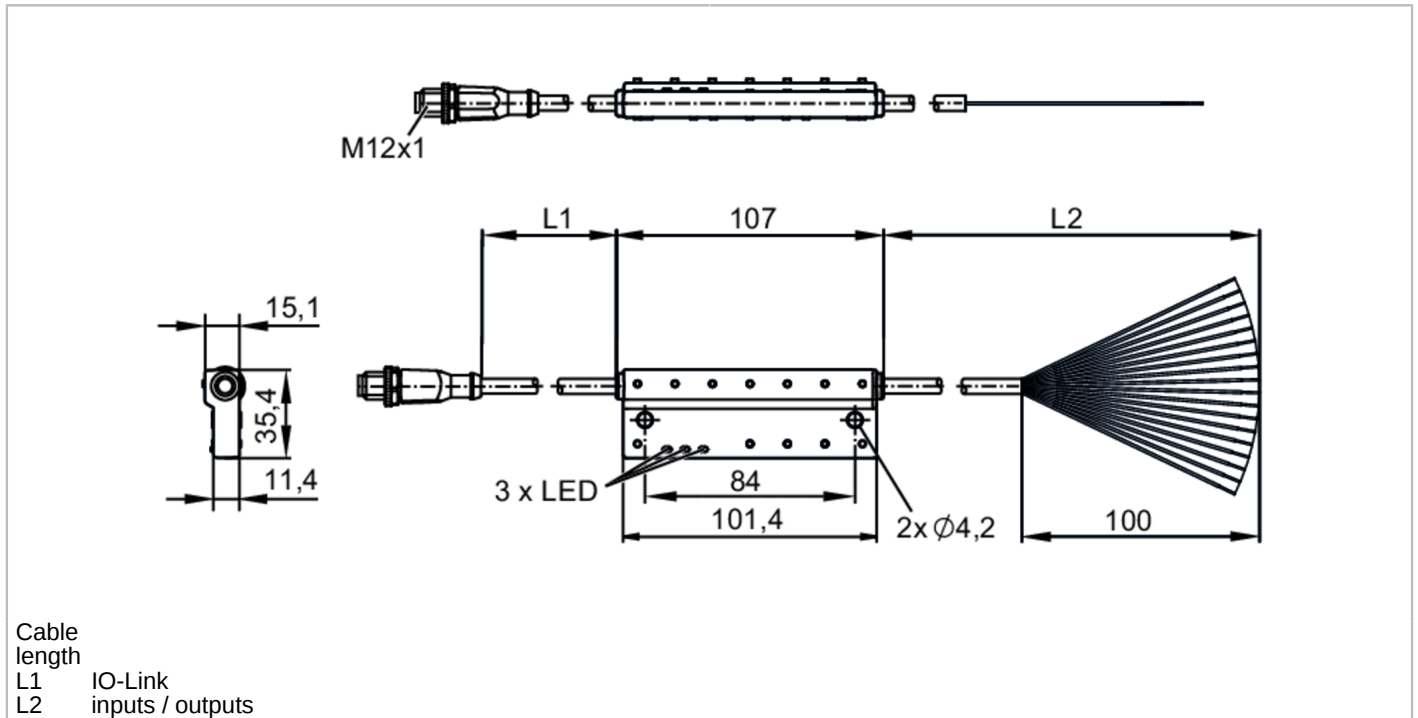


AL5021



IO-Link input/output module

IOL MOD 16xDX A 001 000 IP67



| Application | |
|-------------------------------------|---|
| System | Halogen-free; gold-plated contacts |
| Electrical data | |
| Operating voltage [V] | 18...30 DC |
| Current consumption [mA] | 50...1050; (US) |
| Protection class | III |
| Inputs / outputs | |
| Total number of inputs and outputs | 16 |
| Number of inputs and outputs | Number of digital inputs: 16; Number of digital outputs: 16 |
| Inputs | |
| Number of digital inputs | 16; (configurable) |
| Input circuit of digital inputs | PNP |
| Sensor supply of the inputs | US |
| Voltage supply [V] | 18...30 |
| Outputs | |
| Number of digital outputs | 16; (configurable) |
| Max. current load outputs total [A] | 1 |
| Short-circuit protection | yes |
| Actuator supply outputs | US |
| Interfaces | |
| Communication interface | IO-Link |
| SDCI standard | IEC 61131-9 |

AL5021



IO-Link input/output module

IOL MOD 16xDX A 001 000 IP67

| | | |
|---|--------------------------|------------------------------|
| Transmission type | COM3 (230,4 kBaud) | |
| IO-Link revision | 1.1 | |
| Profiles | Common - I&D | Identification and Diagnosis |
| SIO mode | no | |
| Required master port class | A | |
| Min. process cycle time [ms] | 1 | |
| Supported DeviceIDs | Type of operation | DeviceID |
| Note | default | 1452 |
| For further information please see the IODD PDF file at "Downloads" | | |

| Operating conditions | | |
|---------------------------------|--|----------|
| Ambient temperature [°C] | | -25...60 |
| Storage temperature [°C] | | -25...70 |
| Max. relative air humidity [%] | | 90 |
| Max. height above sea level [m] | | 2000 |
| Protection | | IP 67 |

| Tests / approvals | | |
|----------------------|--------------------|-----|
| EMC | EN 61000-6-2 | |
| | EN 61000-6-3 | |
| | IEC 61131-9 | |
| | IEC 61131-2 Type 3 | |
| Shock resistance | DIN EN 60068-2-27 | |
| Vibration resistance | DIN EN 60068-2-64 | |
| | DIN EN 60068-2-6 | |
| MTTF [years] | | 127 |

| Mechanical data | | |
|-----------------|--|--------------------|
| Weight [g] | | 233 |
| Dimensions [mm] | | 107 x 35.4 x 15.1 |
| Material | | housing: PA orange |

| Displays / operating elements | | |
|-------------------------------|-------|----------------|
| Display | Power | 2 x LED, green |
| | fault | 1 x LED, red |

| Remarks | | |
|---------------|--|--------|
| Pack quantity | | 1 pcs. |

Electrical connection - IO-Link

Cable: 2 m, PUR, Halogen-free, black, Ø 4.3 mm; 3 x 0.34 mm² (42 x Ø 0.1 mm)

Connector: 1 x M12, straight; coding: A; Locking: brass, nickel-plated; Contacts: gold-plated; Tightening torque: 0.6...1.5 Nm



AL5021



IO-Link input/output module

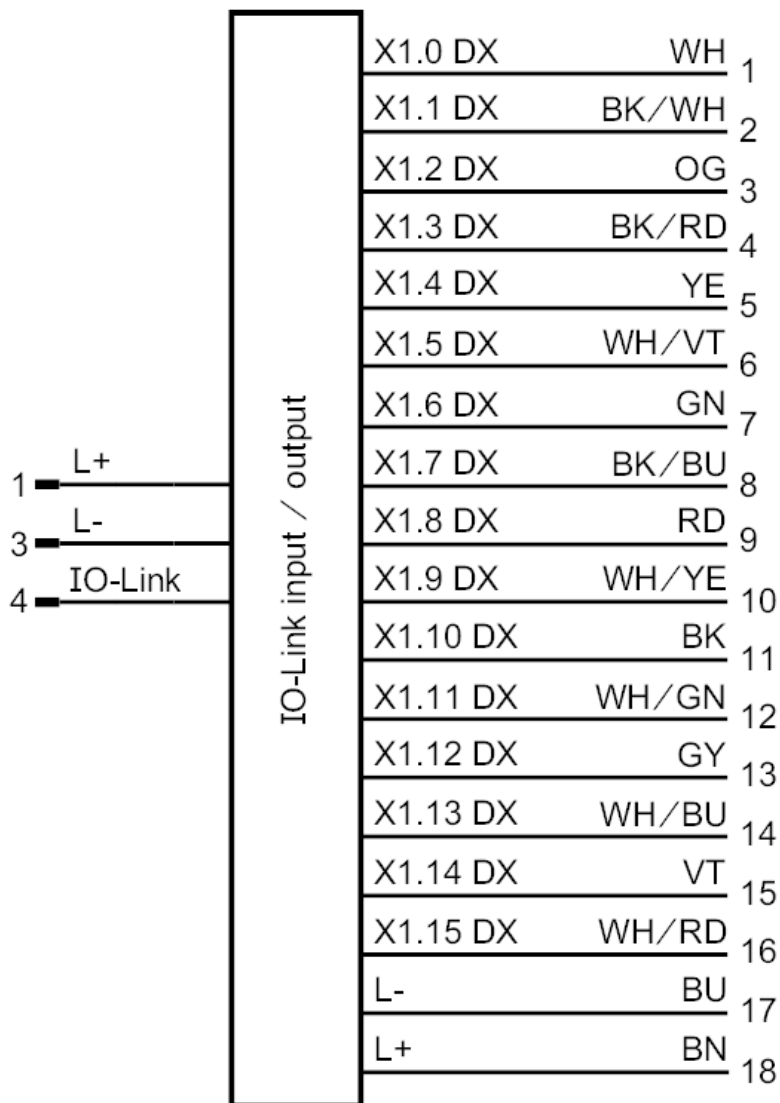
IOL MOD 16xDX A 001 000 IP67

| X1 | |
|----|---------|
| 1 | L+ (US) |
| 3 | L- (US) |
| 4 | IO-Link |

Electrical connection - inputs / outputs

Cable: 1.5 m, PUR, Halogen-free, black, Ø 6.0 mm; 18 x 0.25 mm² (32 x Ø 0.1 mm)

Connection



- Core colors :
- RD = red
 - BU = blue
 - WH = white
 - GY = grey
 - BN = brown
 - GN = green
 - YE = yellow
 - BK = black
 - OG = orange
 - VT = lilac

AL5021



IO-Link input/output module

IOL MOD 16xDX A 001 000 IP67

X1.0...X1.17

| | |
|------|---------|
| 1-16 | I/O |
| 17 | L- (US) |
| 18 | L+ (US) |