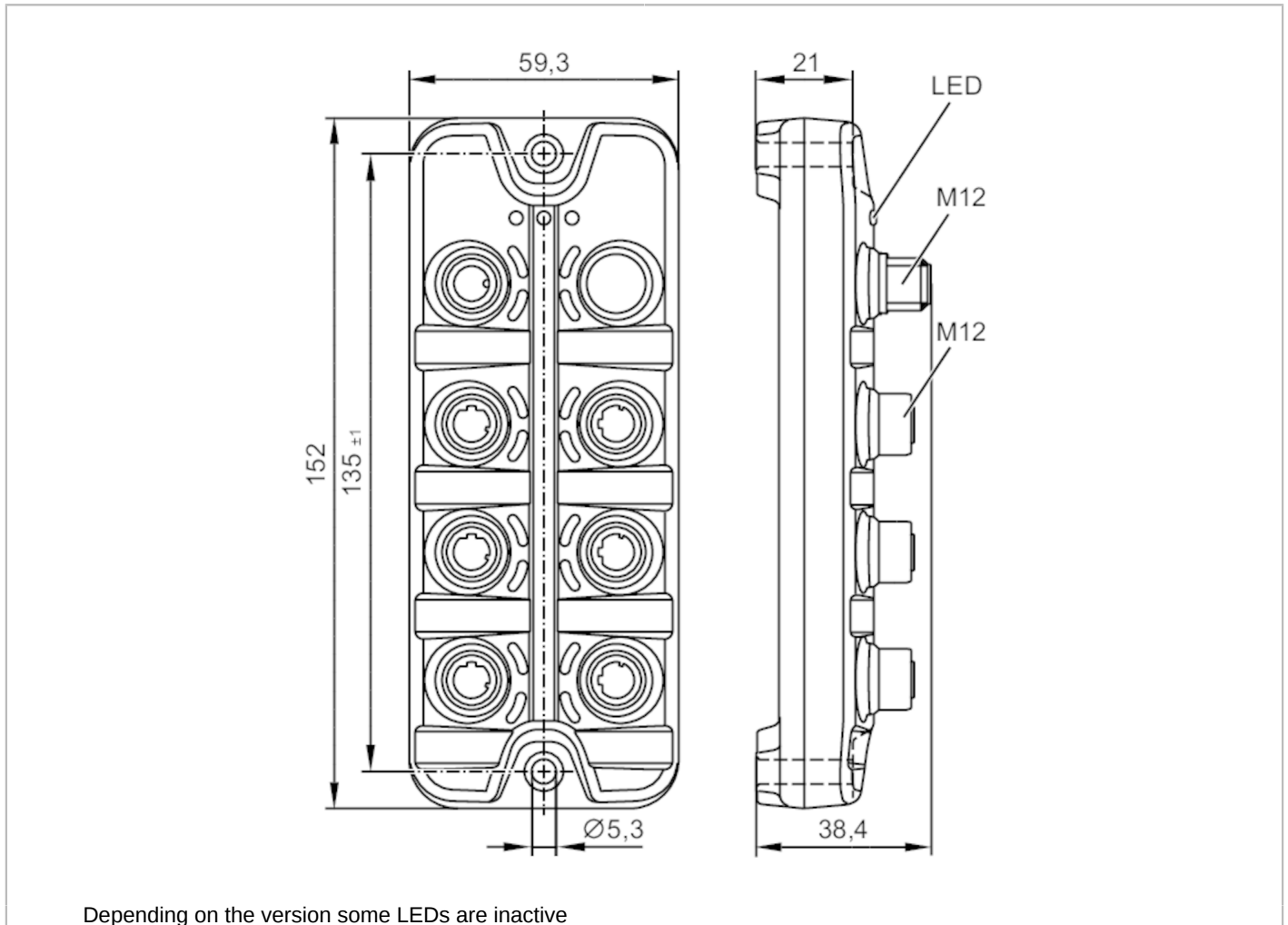


# AL3051



## Ethernet switch

ETH Switch SL IoT 6P IP69K



Depending on the version some LEDs are inactive



Application	
Design	unmanaged switch for field applications
Application	for TCP/IP networks; for EtherNet/IP networks; for Modbus TCP networks
Electrical data	
Operating voltage [V]	8...32 DC; (US ; to SELV/PELV; cULus: 8...28 DC)
Nominal voltage DC [V]	12 / 24
Current consumption [mA]	100; (US; 24 V: 50 mA)
Protection class	III
Reverse polarity protection	yes
Interfaces	
Communication interface	Ethernet
Number of Ethernet interfaces	6
Transmission standard	10Base-T; 100Base-TX
Transmission rate	10 MBit/s; 100 MBit/s

# AL3051



## Ethernet switch

ETH Switch SL IoT 6P IP69K

Note on interfaces	processing type: Store and Forward
	auto polarity
	auto negotiation
	auto MDI-X
	QoS (Quality of Service): IEEE 802.1p, IEEE 802.1Q
	priority queues: 4
	MAC table size: 2000 addresses
transmission: LLDP, PTCP 01:80:C2:00:00:0E	

Operating conditions	
Ambient temperature	[°C] -25...70
Storage temperature	[°C] -25...85
Max. relative air humidity	[%] 90
Max. height above sea level	[m] 4000
Protection	IP 65; IP 66; IP 67; IP 69K; (operation with stainless steel protective caps: IP 69K)
Protection rating (NEMA 250)	6P
Degree of soiling	2
Chemical media	ISO 16750-5 HLP, CC, DB, DC, DD, CA
	NEMA 250 5.13.1 AA

Tests / approvals		
EMC	UN/ECE-R10 Noise emission and noise interference:	100 V/m
	DIN EN 61000-6-2 ESD	
	DIN EN 61000-6-4 Burst	
	ISO 7637-2 pulse 1	severity level 4 / function state C (12 V)
	ISO 7637-2 pulse 2a	severity level 4 / function state A (12 V)
	ISO 7637-2 pulse 2b	severity level 4 / function state C (12 V)
	ISO 7637-2 pulse 3a	severity level 4 / function state A (12 V)
	ISO 7637-2 pulse 3b	severity level 4 / function state A (12 V)
	ISO 7637-2 pulse 4	severity level 4 / function state A (12 V)
	ISO 7637-2 pulse 5a	severity level 3 / function state A (12 V)
	ISO 7637-2 pulse 1	severity level 4 / function state C (24 V)
	ISO 7637-2 pulse 2a	severity level 4 / function state A (24 V)
	ISO 7637-2 pulse 2b	severity level 4 / function state C (24 V)
	ISO 7637-2 pulse 3a	severity level 4 / function state A (24 V)
	ISO 7637-2 pulse 3b	severity level 4 / function state A (24 V)
	ISO 7637-2 pulse 4	severity level 4 / function state A (24 V)
	Shock resistance	DIN EN 60068-2-27
Fast temperature changes	EN 60068-2-30	
	EN 60068-2-78	
	EN 60068-2-52	
Vibration resistance	DIN EN 60068-2-64	
	DIN EN 60068-2-6	
	EN 60068-2-27	
MTTF	[years]	232

Mechanical data	
Weight	[g] 315
Housing	rectangular
Type of mounting	Backplane mounting

# AL3051



## Ethernet switch

ETH Switch SL IoT 6P IP69K

Dimensions	[mm]	152 x 59.3 x 38.4
Material		housing: PA grey; Socket: stainless steel (1.4404 / 316L)
Sealing material		EPDM

### Accessories

Items supplied	Protective cap: 1 x M12, stainless steel, E12542
----------------	--

### Remarks

Remarks	Further information is available in the manual.
Pack quantity	1 pcs.

### Electrical connection - Ethernet

Connector: 6 x M12; coding: D; sealing: EPDM



#### X01...X06

1	TX +
2	RX +
3	TX -
4	RX -
5	not used

### Electrical connection - voltage supply

Connector: 1 x M12; coding: A



#### X31

1	+ 24 V DC (US)
2	not used
3	GND (US)
4	not used