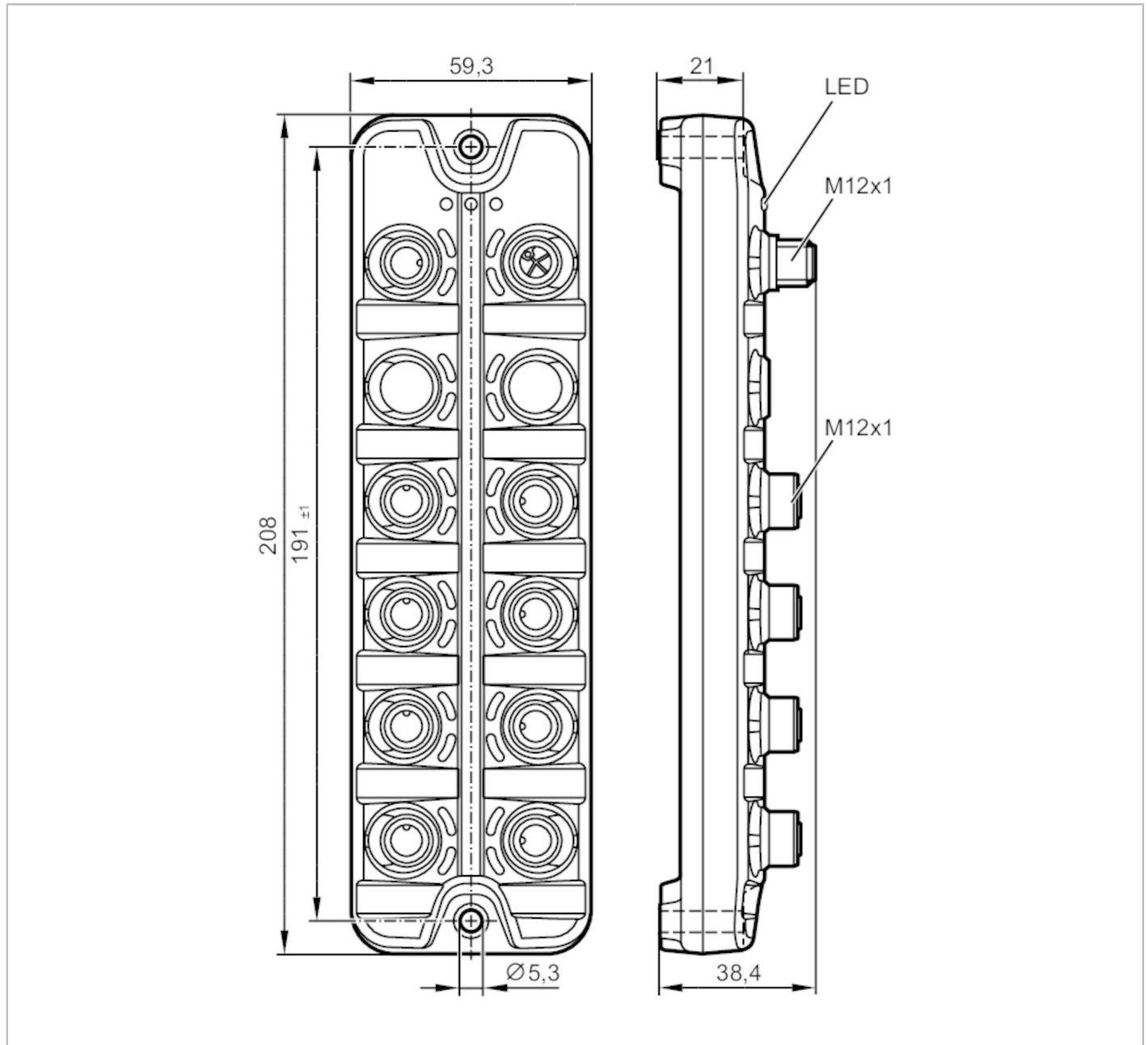


AL2627



IO-Link input/output module

IOL MOD PL 8XDX/DX E D M12 IP67



Electrical data	
Operating voltage [V]	18...30 DC
Current consumption [mA]	100; (US)
Protection class	III
Additional voltage supply [V]	18...30 DC; (UA)
Max. current consumption from additional supply [mA]	16000; (UA)
Inputs / outputs	
Total number of inputs and outputs	16
Number of inputs and outputs	Number of digital inputs: 16; Number of digital outputs: 16

AL2627



IO-Link input/output module

IOL MOD PL 8XDX/DX E D M12 IP67

Inputs		
Number of digital inputs		16; (configurable)
Input circuit of digital inputs		PNP; (type 3 (IEC 61131-2))
Sensor supply of the inputs		AUX (UA)
Voltage supply	[V]	18...30
Input current High	[mA]	2...15
Input current low	[mA]	0...1.5
Switching level high	[V]	11...28
Switching level low	[V]	0...5
Outputs		
Number of digital outputs		16; (configurable)
Max. current load per output	[mA]	2000
Max. current load outputs total	[A]	16
Short-circuit protection		yes
Actuator supply outputs		AUX (UA)
Interfaces		
Communication interface		IO-Link
Transmission type		COM3 (230,4 kBaud)
IO-Link revision		1.1
SDCI standard		IEC 61131-9
Profiles	Common - I&D	Identification and Diagnosis
SIO mode		no
Required master port class		A
Min. process cycle time	[ms]	4
Supported DeviceIDs	Type of operation	DeviceID
	default	1314
Note	Parameterization can be changed from cyclical to acyclical. For further information please see the IODD PDF file at "Downloads"	
Operating conditions		
Ambient temperature	[°C]	-25...60
Storage temperature	[°C]	-25...70
Max. relative air humidity	[%]	90
Max. height above sea level	[m]	2000
Protection		IP 65; IP 67
Protection rating (NEMA 250)		6P
Degree of soiling		2
Chemical media	ISO 16750-5	AA, BA, BD, HLP, CC, DB, DC, DD, CA
	NEMA 250 5.13.1	AA
Tests / approvals		
EMC	EN 61000-6-2	
	EN 61000-6-3	
	IEC 61131-9	
Shock resistance	DIN EN 60068-2-27	

AL2627



IO-Link input/output module

IOL MOD PL 8XDX/DX E D M12 IP67

Vibration resistance	DIN EN 60068-2-64	
	DIN EN 60068-2-6	
MTTF [years]		59

Mechanical data		
Weight [g]		399
Dimensions [mm]		26 x 59.3 x 208
Material	housing: PA orange; Socket: brass nickel-plated	
Sealing material		FKM
Tightening torque [Nm]		< 0.8

Displays / operating elements		
Display	Power	1 x LED, green
	fault	1 x LED, red
	Function	1 x LED, yellow

Accessories	
Accessories (optional)	protective cap for M12 sockets

Remarks

Remarks	Using the device within a system with requirements for functional safety is possible by deactivating the actuator voltage UA without interaction. For further information on functional safety, please refer to the operating instructions supplement under "Downloads".
Pack quantity	1 pcs.

Electrical connection - AUX

Connector: 1 x M12; coding: L



X31

1:	n.c.
2:	L- (UA)
3:	n.c.
4:	L+ (UA)
5:	FE

Electrical connection - IO-Link

Connector: 1 x M12; coding: A



AL2627



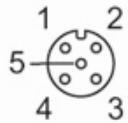
IO-Link input/output module

IOL MOD PL 8XDX/DX E D M12 IP67

X1	
1:	L+ (US)
2:	n.c.
3:	L- (US)
4:	DATA IO-Link

Electrical connection - inputs / outputs

Connector: 8 x M12; coding: A; sealing: FKM



X1.0...X1.7	
1:	L+ (UA) Sensor supply
2:	MP2 DI2/DO2
3:	L- (UA) Sensor supply
4:	MP1 DI1/DO1
5:	FE