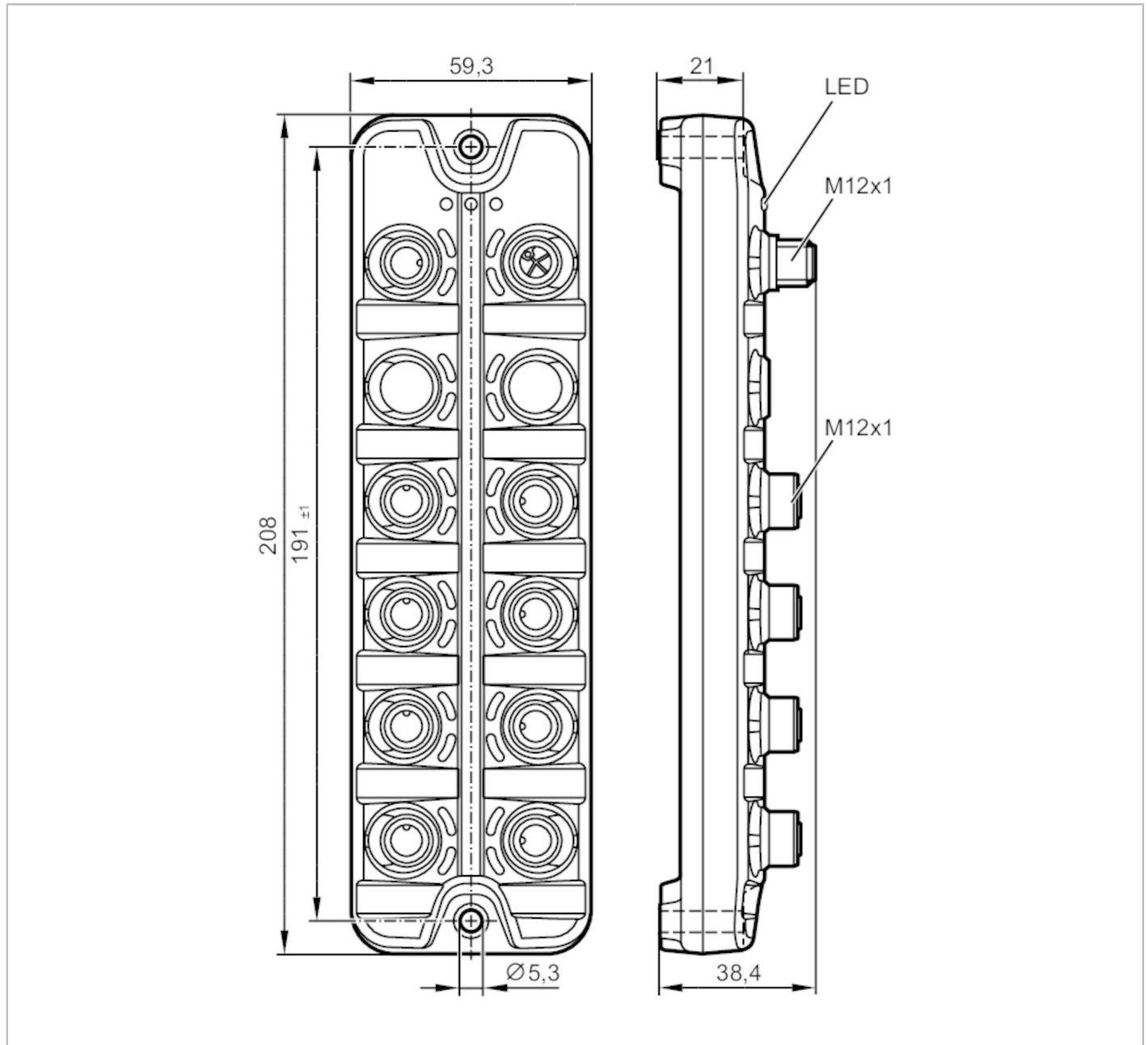


AL2605



IO-Link input/output module

IOL MOD PL 8XMP/DX E M12 IP67



Electrical data	
Operating voltage [V]	18...30 DC
Current consumption [mA]	50; (US)
Protection class	III
Additional voltage supply [V]	18...30 DC; (UA UAi)
Max. current consumption from additional supply [mA]	16000; (UA; UAi: 800 mA)
Inputs / outputs	
Total number of inputs and outputs	16

AL2605



IO-Link input/output module

IOL MOD PL 8XMP/DX E M12 IP67

Number of inputs and outputs

Number of digital inputs: 16; Number of analog inputs: 8;
Number of frequency inputs: 2; Number of digital outputs: 16

Inputs		
Number of frequency inputs	2	
Number of digital inputs	16; (configurable)	
Input circuit of digital inputs	PNP; (type 3 (IEC 61131-2))	
Sensor supply of the inputs	AUX (UA, UAI)	
Voltage supply [V]	18...30	
Input current High [mA]	2...15	
Input current low [mA]	0...1.5	
Switching level high [V]	11...28	
Switching level low [V]	0...5	
Number of analog inputs	8; (configurable current/voltage input)	
Analog input (current) [mA]	4...20	
Analog input (voltage) [V]	0...10	
Resolution of analog input	16 Bit	
Precision analog input [%]	0,3	
Outputs		
Number of digital outputs	16; (configurable)	
Max. current load per output [mA]	2000	
Max. current load outputs total [A]	16	
Short-circuit protection	yes	
Actuator supply outputs	AUX (UA)	
Number of PWM outputs	8; (acyclic enhanced modus)	
Number of PWM-I outputs	2; (acyclic enhanced modus)	
PMW/PWM-I output	max. current PWM-I output [mA]	2000
	available factors for the controller [PID]	Kp, Ki, Kd
	currently requested resolution [mA]	1
	Accuracy PWM-I Ausgang [%]	2,2
	range of the PWM output pulse/pause ratio [%]	0...1000
	switch-on time resolution ‰]	1
	PWM/PWM-I frequency range [Hz]	20...1000
	number of configurable frequencies	2
	number of PWM outputs with optional dither	8
	dither level ‰]	1...250
dither number	1...20	
Measuring/setting range		
Sampling rate [Hz]	0...3000	
Interfaces		
Communication interface	IO-Link	
Transmission type	COM3 (230,4 kBaud)	
IO-Link revision	1.1	
SDCI standard	IEC 61131-9	

AL2605



IO-Link input/output module

IOL MOD PL 8XMP/DX E M12 IP67

SIO mode	no	
Required master port class	A	
Min. process cycle time [ms]	4	
Supported DeviceIDs	Type of operation	DeviceID
Note	Acyclic enhanced parametrisation	1448
	Acyclic parametrisation	1316
	Factory setting: parametrisation via Pdout	1315
	Parameter setting can be changed from “cyclic” to “acyclic” and “acyclic enhanced” For further information please see the IODD PDF file at “Downloads”	

Acyclic enhanced parametrisation		
Profiles	Common - I&D	Identification and Diagnosis
	Function	Multiple switching signal

Acyclic parametrisation		
Profiles	Common - I&D	Identification and Diagnosis

Factory setting: parametrisation via Pdout		
Profiles	Common - I&D	Identification and Diagnosis

Operating conditions		
Ambient temperature [°C]	-25...60	
Storage temperature [°C]	-25...70	
Max. relative air humidity [%]	90	
Max. height above sea level [m]	2000	
Protection	IP 65; IP 67	
Protection rating (NEMA 250)	6P	
Degree of soiling	2	
Chemical media	ISO 16750-5	AA, BA, BD, HLP, CC, DB, DC, DD, CA
	NEMA 250 5.13.1	AA

Tests / approvals		
EMC	EN 61000-6-2	
	EN 61000-6-3	
	IEC 61131-9	
Shock resistance	DIN EN 60068-2-27	
Vibration resistance	DIN EN 60068-2-64	
	DIN EN 60068-2-6	
MTTF [years]	35	

Mechanical data		
Weight [g]	394	
Housing	rectangular	
Type of mounting	Backplane mounting	
Dimensions [mm]	208 x 59.3 x 38.4	
Material	housing: PA orange; Socket: brass nickel-plated	
Sealing material	FKM	
Tightening torque [Nm]	< 0.8	

AL2605



IO-Link input/output module

IOL MOD PL 8XMP/DX E M12 IP67

Displays / operating elements

Display	Power	4 x LED, green
	fault	3 x LED, red
	Function	16 x LED, yellow

Accessories

Accessories (optional)	protective cap for M12 sockets
------------------------	--------------------------------

Remarks

Pack quantity	1 pcs.
---------------	--------

Electrical connection - AUX

Connector: 1 x M12; coding: L



X31

1:	L+ (UAi)
2:	L- (UA/UAi)
3:	n.c.
4:	L+ (UA)
5:	FE

Electrical connection - IO-Link

Connector: 1 x M12; coding: A

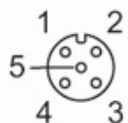


X1

1:	L+ (US)
2:	n.c.
3:	L- (US)
4:	DATA IO-Link

Electrical connection - inputs / outputs

Connector: 8 x M12; coding: A; sealing: FKM



AL2605



IO-Link input/output module

IOL MOD PL 8XMP/DX E M12 IP67

X1.0...X1.7

1:	L+ (UA/UAi) Sensor supply
2:	MP2 DI2, DO2
3:	L- (UA/UAi) Sensor supply
4:	MP1 DI1, DO1
5:	FE