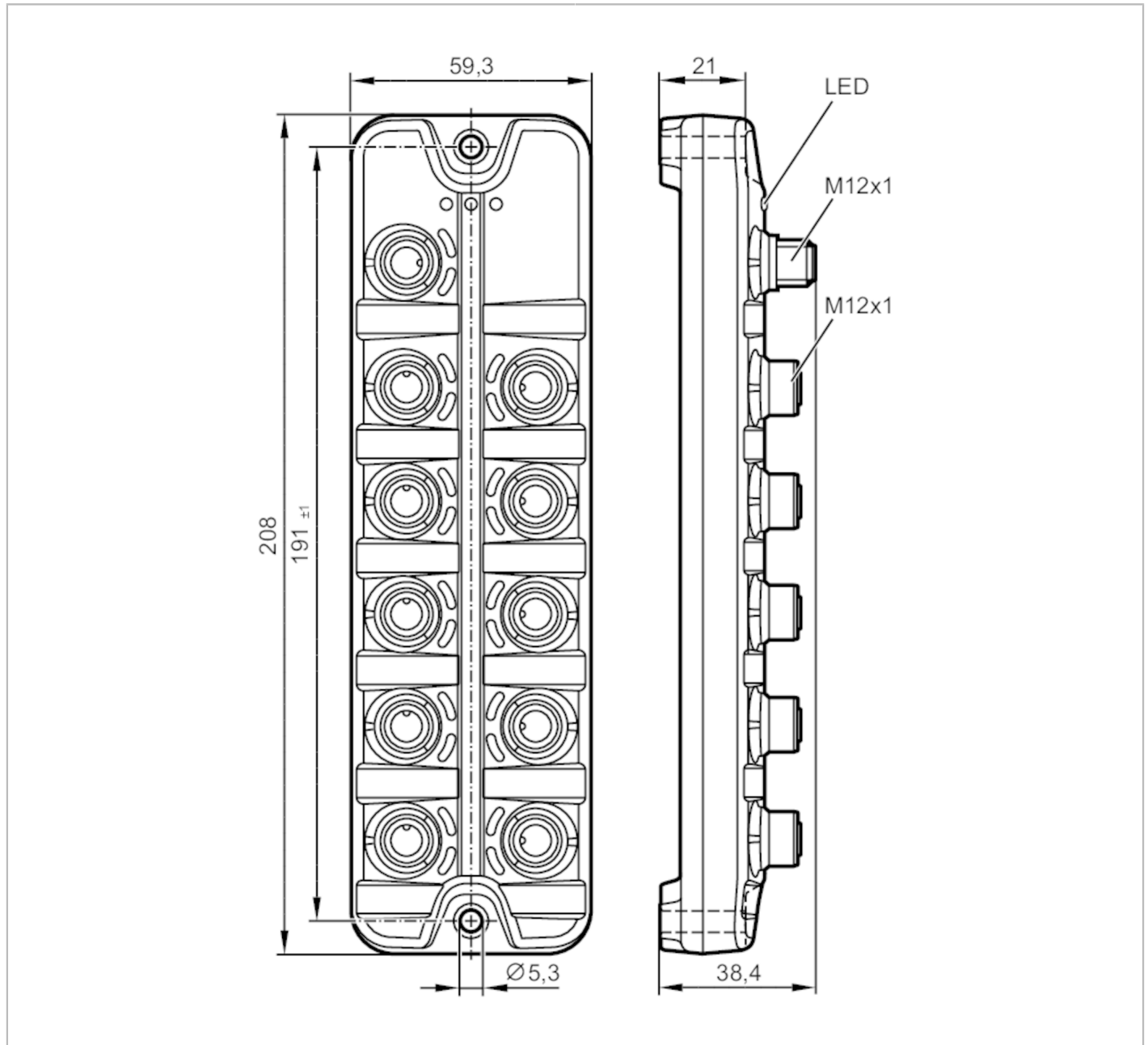


AL2341



IO-Link input module

IO-Link Module 10x2 DI M12 IP67



| Electrical data | |
|------------------------------|--|
| Operating voltage | [V] 18...30 DC |
| Current consumption | [mA] 100...1100; (US) |
| Protection class | III |
| Sensor supply US | |
| Current rating per port | [A] 0.1 |
| Inputs / outputs | |
| Number of inputs and outputs | Number of digital inputs: 20 |
| Inputs | |
| Number of digital inputs | 20; (10 x 2 PNP type 2 according to IEC 61131-2) |

AL2341



IO-Link input module

IO-Link Module 10x2 DI M12 IP67

| | | |
|-----------------------------|-----|---------|
| Sensor supply of the inputs | | IO-Link |
| Voltage supply | [V] | 16...30 |

Interfaces

| | | |
|----------------------------|--------------------------|-------------------------|
| Communication interface | | IO-Link |
| Transmission type | | COM2 (38,4 kBaud) |
| IO-Link revision | | 1.1 |
| SDCI standard | | IEC 61131-9 |
| Profiles | Smart Sensor - SSP 0 | Generic Profiled Sensor |
| | Function | Device identification |
| | Function | Process data variable |
| | Function | Device diagnosis |
| SIO mode | | no |
| Required master port class | | A |
| Min. process cycle time | [ms] | 4.3 |
| Supported DeviceIDs | Type of operation | DeviceID |
| | default | 940 |

Operating conditions

| | | |
|------------------------------|-----------------|-------------------------------------|
| Ambient temperature | [°C] | -25...60 |
| Storage temperature | [°C] | -25...70 |
| Max. relative air humidity | [%] | 90 |
| Max. height above sea level | [m] | 2000 |
| Protection | | IP 65; IP 67 |
| Protection rating (NEMA 250) | | 6P |
| Chemical media | ISO 16750-5 | AA, BA, BD, HLP, CC, DB, DC, DD, CA |
| | NEMA 250 5.13.1 | AA |

Tests / approvals

| | | |
|----------------------|-------------------|-----|
| EMC | EN 61000-6-2 | |
| | EN 61000-6-3 | |
| | IEC 61131-9 | |
| Shock resistance | DIN EN 60068-2-27 | |
| Vibration resistance | DIN EN 60068-2-64 | |
| | DIN EN 60068-2-6 | |
| MTTF | [years] | 140 |

Mechanical data

| | | |
|------------------|------|---|
| Weight | [g] | 392.5 |
| Housing | | rectangular |
| Type of mounting | | Backplane mounting |
| Dimensions | [mm] | 208 x 59.3 x 38.4 |
| Material | | housing: PA orange; Socket: brass nickel-plated |

Displays / operating elements

| | | |
|---------|----------|-----------------|
| Display | Power | 1 x LED, green |
| | fault | 1 x LED, red |
| | Function | 1 x LED, yellow |

Accessories

| | |
|------------------------|--------------------------------|
| Accessories (optional) | protective cap for M12 sockets |
|------------------------|--------------------------------|

AL2341



IO-Link input module

IO-Link Module 10x2 DI M12 IP67

Remarks

Pack quantity

1 pcs.

Electrical connection - IO-Link

Connector: 1 x M12; coding: A

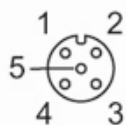


X1

| | |
|---|----------------|
| 1 | + 24 V DC (US) |
| 2 | not used |
| 3 | GND (US) |
| 4 | IO-Link |

Electrical connection - Inputs

Connector: 10 x M12; coding: A



X1.0...X1.9

| | |
|---|------------------------------|
| 1 | Sensor supply + 24 V DC (US) |
| 2 | Digital input DI2 |
| 3 | Sensor supply GND (US) |
| 4 | Digital input DI1 |
| 5 | not used |