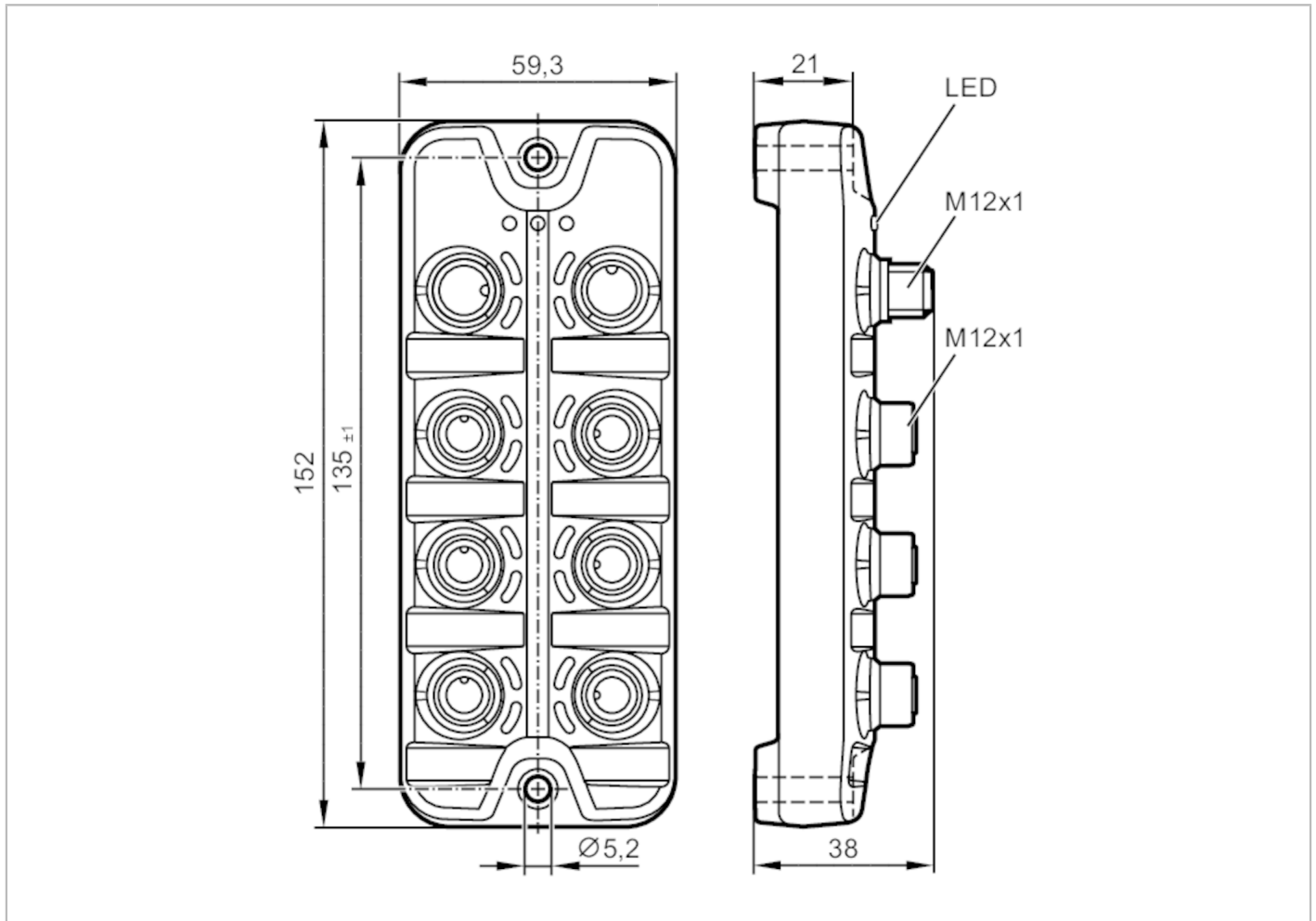


AL2336



IO-Link CompactLine module

IOL MOD SL 6XDO/DO E D M12 IP67



Application	
Application	I/O modules for field applications
Electrical data	
Operating voltage [V]	18...30 DC; (US)
Current consumption [mA]	50; (US)
Protection class	III
Additional voltage supply [V]	18...30 DC; (UA)
Max. current consumption from additional supply [mA]	3600; (UA)
Inputs / outputs	
Number of inputs and outputs	Number of digital outputs: 12
Outputs	
Number of digital outputs	12; (6 x 2)
Output function	PNP
Max. current load per output [mA]	1800
Max. current load outputs total [A]	3.6; (Max. current load per output side: 1800 mA)
Electrically separated	yes

AL2336



IO-Link CompactLine module

IOL MOD SL 6XDO/DO E D M12 IP67

Interfaces		
Communication interface	IO-Link	
Supported DeviceIDs	Type of operation	DeviceID
	IO-Link Device	893
IO-Link Device		
Transmission type	COM2 (38,4 kBaud)	
IO-Link revision	1.1	
SDCI standard	IEC 61131-9	
Profiles	Smart Sensor - SSP 0	Generic Profiled Sensor
	Function	Device identification
	Function	Process data variable
	Function	Device diagnosis
SIO mode	no	
Min. process cycle time [ms]	5.6	
Operating conditions		
Ambient temperature [°C]	-25...60	
Storage temperature [°C]	-25...70	
Max. relative air humidity [%]	90	
Max. height above sea level [m]	2000	
Protection	IP 65; IP 67	
Protection rating (NEMA 250)	6P	
Degree of soiling	2	
Chemical media	ISO 16750-5	AA, BA, BD, HLP, CC, DB, DC, DD, CA
	NEMA 250 5.13.1	AA
Tests / approvals		
EMC	EN 61000-6-2	
	EN 61000-6-3	
	IEC 61131-9	
Shock resistance	DIN EN 60068-2-27	
Vibration resistance	DIN EN 60068-2-64	
	DIN EN 60068-2-6	
MTTF [years]	61	
Mechanical data		
Weight [g]	308.8	
Housing	rectangular	
Type of mounting	Backplane mounting	
Dimensions [mm]	152 x 59.3 x 38	
Material	housing: PA; Socket: brass nickel-plated	
Sealing material	FKM	
Displays / operating elements		
Display	Power	LED, green
	errors	LED, red
	Function	LED, yellow
Accessories		
Accessories (optional)	Protective caps M12	



IO-Link CompactLine module

IOL MOD SL 6XDO/DO E D M12 IP67

Remarks

Remarks

Using the device within a system with requirements for functional safety is possible by deactivating the actuator voltage UA without interaction.

For further information on functional safety, please refer to the operating instructions supplement under "Downloads".

Pack quantity

1 pcs.

Electrical connection - IO-Link

Connector: 1 x M12; coding: A

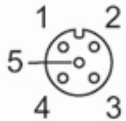


X1

1	+ 24 V DC (US)
2	not used
3	GND (US)
4	IO-Link

Electrical connection - Outputs

Connector: 6 x M12; coding: A; sealing: FKM



X1.0...X1.5

1	not used
2	DO2
3	GND (UA)
4	DO1
5	not used

Electrical connection - voltage supply

Connector: 1 x M12; coding: A



AL2336



IO-Link CompactLine module

IOL MOD SL 6XDO/DO E D M12 IP67

X31

1	+ 24 V DC (UAL)
2	GND (UAR)
3	GND (UAL)
4	+ 24 V DC (UAR)