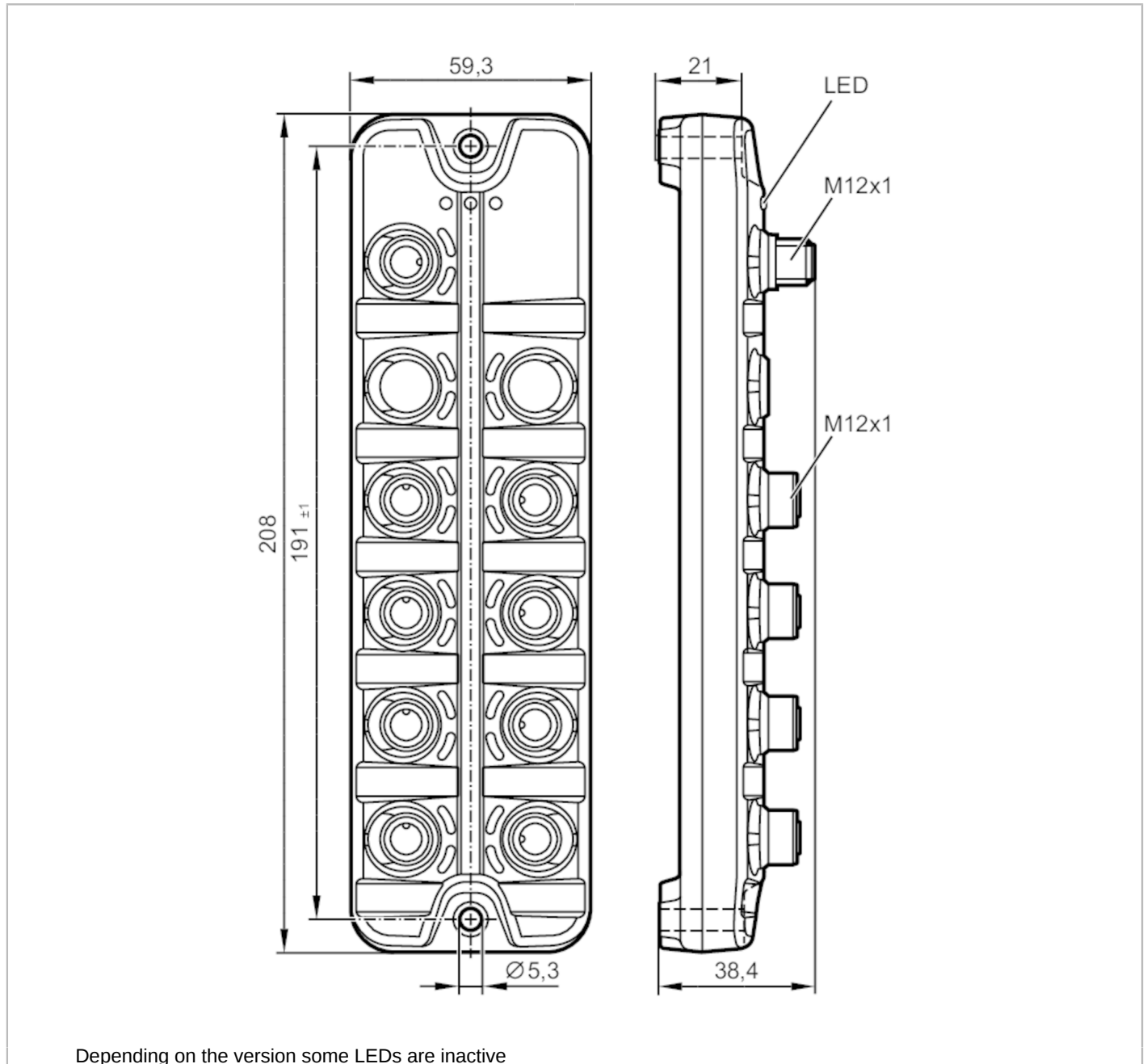


AL2301



IO-Link input/output module

IOL MOD SL 8XMP/DX A M12 IP67



Depending on the version some LEDs are inactive



| Electrical data | |
|------------------------------------|---|
| Operating voltage [V] | 18...30 DC |
| Current consumption [mA] | 1100; (US) |
| Protection class | III |
| Inputs / outputs | |
| Total number of inputs and outputs | 16; (configurable) |
| Number of inputs and outputs | Number of digital inputs: 16; Number of analog inputs: 8; Number of digital outputs: 16 |
| Inputs | |
| Number of digital inputs | 16; (configurable) |

AL2301



IO-Link input/output module

IOL MOD SL 8XMP/DX A M12 IP67

| | | |
|---------------------------------|------|---|
| Input circuit of digital inputs | | PNP; (type 3 (IEC 61131-2)) |
| Sensor supply of the inputs | | US |
| Voltage supply | [V] | 18...30 |
| Input current High | [mA] | 2...15 |
| Input current low | [mA] | 0...1.5 |
| Switching level high | [V] | 11...28 |
| Switching level low | [V] | 0...5 |
| Number of analog inputs | | 8; (configurable current/voltage input) |
| Analog input (current) | [mA] | 4...20 |
| Analog input (voltage) | [V] | 0...10 |
| Resolution of analog input | | 16 Bit |

Outputs

| | | |
|---------------------------------|------|--------------------|
| Number of digital outputs | | 16; (configurable) |
| Max. current load per output | [mA] | 1000 |
| Max. current load outputs total | [A] | 1 |
| Short-circuit protection | | yes |
| Actuator supply outputs | | US |

Interfaces

| | | |
|----------------------------|--|------------------------------|
| Communication interface | | IO-Link |
| Transmission type | | COM3 (230,4 kBaud) |
| IO-Link revision | | 1.1 |
| SDCI standard | | IEC 61131-9 |
| Profiles | Common - I&D | Identification and Diagnosis |
| SIO mode | | no |
| Required master port class | | A |
| Min. process cycle time | [ms] | 4 |
| Supported DeviceIDs | Type of operation | DeviceID |
| | Acyclic parametrisation | 1408 |
| | Factory setting: parametrisation via Pdout | 1407 |

| | | |
|------|--|--|
| Note | Parameterization can be changed from cyclical to acyclical. For further information please see the IODD PDF file at "Downloads" | |
|------|--|--|

Operating conditions

| | | |
|------------------------------|-----------------|-------------------------------------|
| Ambient temperature | [°C] | -25...60 |
| Storage temperature | [°C] | -25...70 |
| Max. relative air humidity | [%] | 90 |
| Max. height above sea level | [m] | 2000 |
| Protection | | IP 65; IP 67 |
| Protection rating (NEMA 250) | | 6P |
| Degree of soiling | | 2 |
| Chemical media | ISO 16750-5 | AA, BA, BD, HLP, CC, DB, DC, DD, CA |
| | NEMA 250 5.13.1 | AA |

AL2301



IO-Link input/output module

IOL MOD SL 8XMP/DX A M12 IP67

| Tests / approvals | | |
|----------------------|-------------------|----|
| EMC | EN 61000-6-2 | |
| | EN 61000-6-3 | |
| | IEC 61131-9 | |
| Shock resistance | DIN EN 60068-2-27 | |
| Vibration resistance | DIN EN 60068-2-64 | |
| | DIN EN 60068-2-6 | |
| MTTF | [years] | 44 |

| Mechanical data | | |
|-------------------|------|---|
| Weight | [g] | 467.68 |
| Housing | | rectangular |
| Type of mounting | | Backplane mounting |
| Dimensions | [mm] | 208 x 59.3 x 38.4 |
| Material | | housing: PA orange; Socket: brass nickel-plated |
| Sealing material | | FKM |
| Tightening torque | [Nm] | < 0.8 |

| Displays / operating elements | | |
|-------------------------------|----------|-----------------|
| Display | Power | 1 x LED, green |
| | fault | 1 x LED, red |
| | Function | 1 x LED, yellow |

| Accessories | |
|------------------------|--------------------------------|
| Accessories (optional) | protective cap for M12 sockets |

| Remarks | |
|---------------|--------|
| Pack quantity | 1 pcs. |

Electrical connection - IO-Link

Connector: 1 x M12; coding: A



| X1 | |
|----|----------------|
| 1 | + 24 V DC (US) |
| 2 | not used |
| 3 | GND (US) |
| 4 | IO-Link |

AL2301

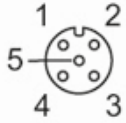


IO-Link input/output module

IOL MOD SL 8XMP/DX A M12 IP67

Electrical connection - inputs / outputs

Connector: 8 x M12; coding: A; sealing: FKM



X1.0...X1.7

| | |
|---|--|
| 1 | Sensor supply + 24 V DC |
| 2 | multifunctional input I2 Digital output O2 |
| 3 | GND |
| 4 | digital input/output I1/O1 |
| 5 | not used |