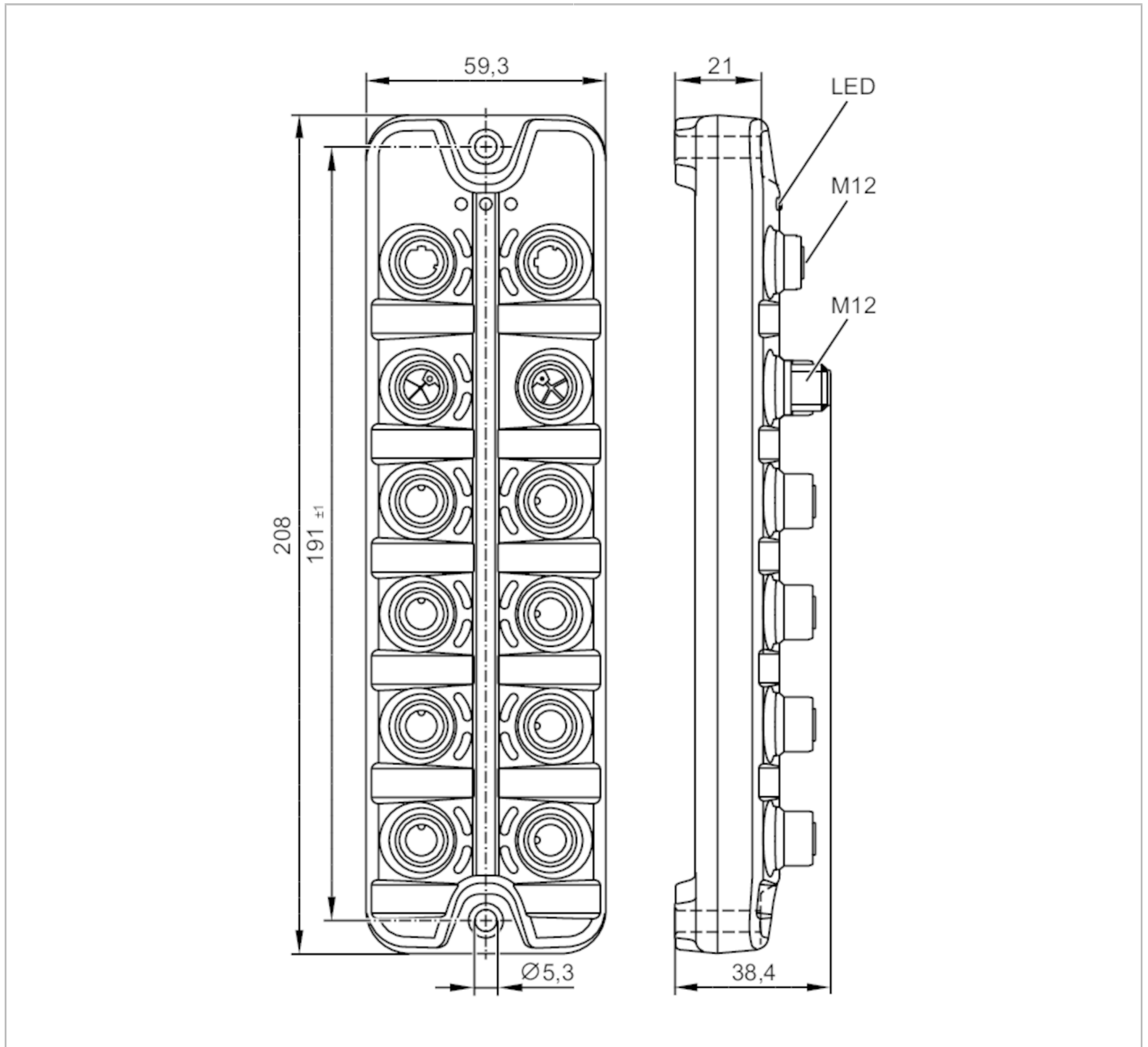


# AL1427



## IO-Link master with EtherNet/IP interface

IO-Link Master PFL EIP 8P IP69k



Application	
Application	hygienic systems; I/O modules for field applications
Daisy-chain function	voltage supply; fieldbus interface
Electrical data	
Operating voltage [V]	20...28 DC; (US ; to PELV)
Current consumption [mA]	300...3900; (US)
Protection class	III
Additional voltage supply [V]	20...30 DC; (UA)
Actuator supply UA	
Max. current load total [A]	8



## IO-Link master with EtherNet/IP interface

IO-Link Master PFL EIP 8P IP69k

Current rating per port	[A]	2; (adjustable: 0...2; Factory setting: 2)
Sensor supply US		
Max. current load total	[A]	3.6
Current rating per port	[A]	2; (adjustable: 0...2; Factory setting: 0,45)
<b>Inputs / outputs</b>		
Total number of inputs and outputs		16; (configurable)
Number of inputs and outputs		Number of digital inputs: 12; Number of digital outputs: 12
<b>Inputs</b>		
Number of digital inputs		12; (IO-Link Port Class A: 4 x 2; IO-Link Port Class B: 4 x 1)
Switching level high	[V]	11...30
Switching level low	[V]	0...5
Digital inputs protected against short circuits		yes
<b>Outputs</b>		
Number of digital outputs		12; (IO-Link Port Class A: 4 x 1; IO-Link Port Class B: 4 x 2)
Short-circuit proof		yes
Actuator supply UA		
Max. current load per output	[mA]	2000
Sensor supply US		
Max. current load per output	[mA]	2000
<b>Interfaces</b>		
Communication interface		Ethernet; IO-Link
Ethernet - EtherNet/IP		
Transmission standard		10Base-T; 100Base-TX
Transmission rate		10 MBit/s; 100 MBit/s
Protocol		EtherNet/IP; OPC UA
Factory settings		IP address: 192.168.1.250 subnet mask: 255.255.255.0 gateway IP address: 0.0.0.0 MAC address: see type label
Note on interfaces		DHCP, BOOTP, static DLR (Device Level Ring) Supported network topologies: line ring
<b>IO-Link Master</b>		
Transmission type		COM1 (4,8 kBaud); COM2 (38,4 kBaud); COM3 (230,4 kBaud)
IO-Link revision		1.1
Number of ports class A		4
Number of ports class B		4
<b>Operating conditions</b>		
Ambient temperature	[°C]	-25...60
Storage temperature	[°C]	-25...85
Max. relative air humidity	[%]	90

# AL1427



## IO-Link master with EtherNet/IP interface

IO-Link Master PFL EIP 8P IP69k

Protection	IP 65; IP 66; IP 67; IP 69K; (operation with stainless steel protective caps: IP 69K)	
Protection rating (NEMA 250)	6P	
Degree of soiling	2	
Chemical media	ISO 16750-5	HLP, CC, DB, DC, DD, CA
	NEMA 250 5.13.1	AA

### Tests / approvals

EMC	EN 61000-6-2	
	EN 61000-6-4	
Shock resistance	DIN EN 60068-2-27	
Vibration resistance	DIN EN 60068-2-64 2009-04	
	DIN EN 60068-2-6 2008-10	

### Mechanical data

Weight	[g]	445.05
Housing		rectangular
Type of mounting		Backplane mounting
Dimensions	[mm]	208 x 59.3 x 38.4
Material		housing: PA grey; Socket: stainless steel (1.4404 / 316L)
Sealing material		EPDM

### Accessories

Items supplied	Protective cap: 1 x M12, stainless steel, E12542
----------------	--

### Remarks

Remarks	Further information is available in the manual.
Pack quantity	1 pcs.

### Electrical connection - Ethernet

Connector: 2 x M12; coding: D; sealing: EPDM



### IN/OUT XF1, XF2

1:	DATA	TX +
2:	DATA	RX +
3:	DATA	TX -
4:	DATA	RX -
5:	n.c.	



## IO-Link master with EtherNet/IP interface

IO-Link Master PFL EIP 8P IP69k

### Electrical connection - IO-Link

Connector: 8 x M12; coding: A; sealing: EPDM



#### IO-Link Port Class B X1...X4

1:	L+	(US; Sensor supply)
2:	L+	(UA; Actuator supply/ DO)
3:	L-	(US; Sensor supply)
4:	DATA	IO-Link (C/Q)
5:	L-	(UA; Actuator supply)

#### IO-Link Port Class A X5...X8

1:	L+	(US; Sensor supply)
2:	IN	DI
3:	L-	(US; Sensor supply)
4:	DATA	IO-Link (C/Q)
5:	n.c.	

### Electrical connection - voltage supply IN

Connector: 1 x M12; coding: L



#### XD1

1:	L+	(US)
2:	L-	(UA)
3:	L-	(US)
4:	L+	(UA)
5:		FE

### Electrical connection - voltage supply OUT

Connector: 1 x M12; coding: L; sealing: EPDM



# AL1427



## IO-Link master with EtherNet/IP interface

IO-Link Master PFL EIP 8P IP69k

### XD2

1:	L+	(US)
2:	L-	(UA)
3:	L-	(US)
4:	L+	(UA)
5:		FE