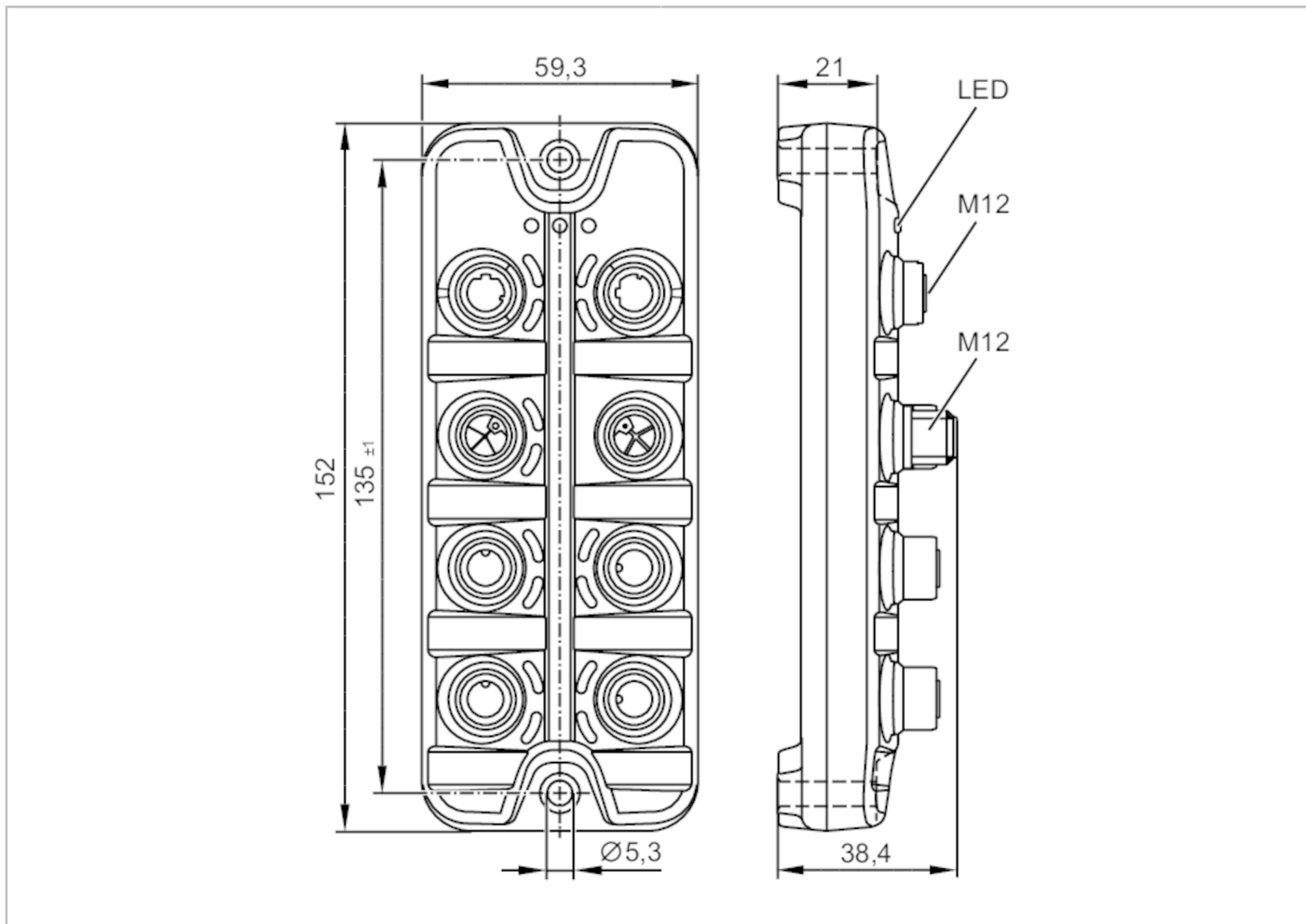


# AL1420



## IO-Link master with EtherNet/IP interface

IO-Link Master PFL EIP 4P IP67



Application	
Application	I/O modules for field applications
Daisy-chain function	voltage supply; fieldbus interface
Electrical data	
Operating voltage [V]	20...30 DC; (US ; to PELV)
Current consumption [mA]	300...3900; (US)
Protection class	III
Additional voltage supply [V]	20...30 DC; (UA)
Actuator supply UA	
Max. current load total [A]	8
Current rating per port [A]	2; (adjustable: 0...2; Factory setting: 2)
Sensor supply US	
Max. current load total [A]	3.6
Current rating per port [A]	2; (adjustable: 0...2; Factory setting: 0,45)
Inputs / outputs	
Total number of inputs and outputs	8; (configurable)

# AL1420



## IO-Link master with EtherNet/IP interface

IO-Link Master PFL EIP 4P IP67

Number of inputs and outputs	Number of digital inputs: 4; Number of digital outputs: 8	
<b>Inputs</b>		
Number of digital inputs	4; (IO-Link Port Class B: 4 x 1)	
Switching level high [V]	11...30	
Switching level low [V]	0...5	
Digital inputs protected against short circuits	yes	
<b>Outputs</b>		
Number of digital outputs	8; (IO-Link Port Class B: 4 x 2)	
Short-circuit proof	yes	
<b>Actuator supply UA</b>		
Max. current load per output [mA]	2000	
<b>Sensor supply US</b>		
Max. current load per output [mA]	2000	
<b>Interfaces</b>		
Communication interface	Ethernet; IO-Link	
<b>Ethernet - EtherNet/IP</b>		
Transmission standard	10Base-T; 100Base-TX	
Transmission rate	10 MBit/s; 100 MBit/s	
Protocol	EtherNet/IP	
Factory settings	IP address: 192.168.1.250	
	subnet mask: 255.255.255.0	
	gateway IP address: 0.0.0.0	
	MAC address: see type label	
Note on interfaces	DHCP, BOOTP, static	
	DLR (Device Level Ring)	
	Supported network topologies: line ring	
<b>IO-Link Master</b>		
Transmission type	COM1 (4,8 kBaud); COM2 (38,4 kBaud); COM3 (230,4 kBaud)	
IO-Link revision	1.1	
Number of ports class B	4	
<b>Operating conditions</b>		
Ambient temperature [°C]	-25...60	
Storage temperature [°C]	-25...85	
Max. relative air humidity [%]	90	
Protection	IP 65; IP 66; IP 67	
Protection rating (NEMA 250)	6P	
Degree of soiling	2	
Chemical media	ISO 16750-5	AA, BA, BD, HLP, CC, DB, DC, DD, CA
	NEMA 250 5.13.1	AA
<b>Tests / approvals</b>		
EMC	EN 61000-6-2	
	EN 61000-6-4	

# AL1420



## IO-Link master with EtherNet/IP interface

IO-Link Master PFL EIP 4P IP67

Shock resistance	DIN EN 60068-2-27	
Vibration resistance	DIN EN 60068-2-64 2009-04	
	DIN EN 60068-2-6 2008-10	
MTTF [years]		60

Mechanical data		
Weight [g]		307.9
Housing		rectangular
Type of mounting		Backplane mounting
Dimensions [mm]		152 x 59.3 x 38.4
Material		housing: PA orange; Socket: brass nickel-plated
Sealing material		FKM

Remarks		
Remarks		Further information is available in the manual.
Pack quantity		1 pcs.

### Electrical connection

#### Electrical connection - Ethernet

Connector: 2 x M12; coding: D; sealing: FKM

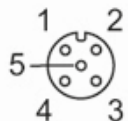


#### IN / OUT XF1, XF2

1	TX +
2	RX +
3	TX -
4	RX -
5	not used

#### Electrical connection - IO-Link

Connector: 4 x M12; coding: A; sealing: FKM



#### IO-Link Port Class B X1...X4

1	Sensor supply (US) L +
2	Actuator supply / Digital output (UA) L+
3	Sensor supply (US) L-
4	C/Q IO-Link
5	Actuator supply (UA) L-

# AL1420



## IO-Link master with EtherNet/IP interface

IO-Link Master PFL EIP 4P IP67

### Electrical connection - voltage supply IN

Connector: 1 x M12; coding: L



#### XD1

1	+ 24 V DC (US) brown
2	GND (UA) white
3	GND (US) blue
4	+ 24 V DC (UA) black
5	FE grey

### Electrical connection - voltage supply OUT

Connector: 1 x M12; coding: L; sealing: FKM



#### XD2

1	+ 24 V DC (US) brown
2	GND (UA) white
3	GND (US) blue
4	+ 24 V DC (UA) black
5	FE grey