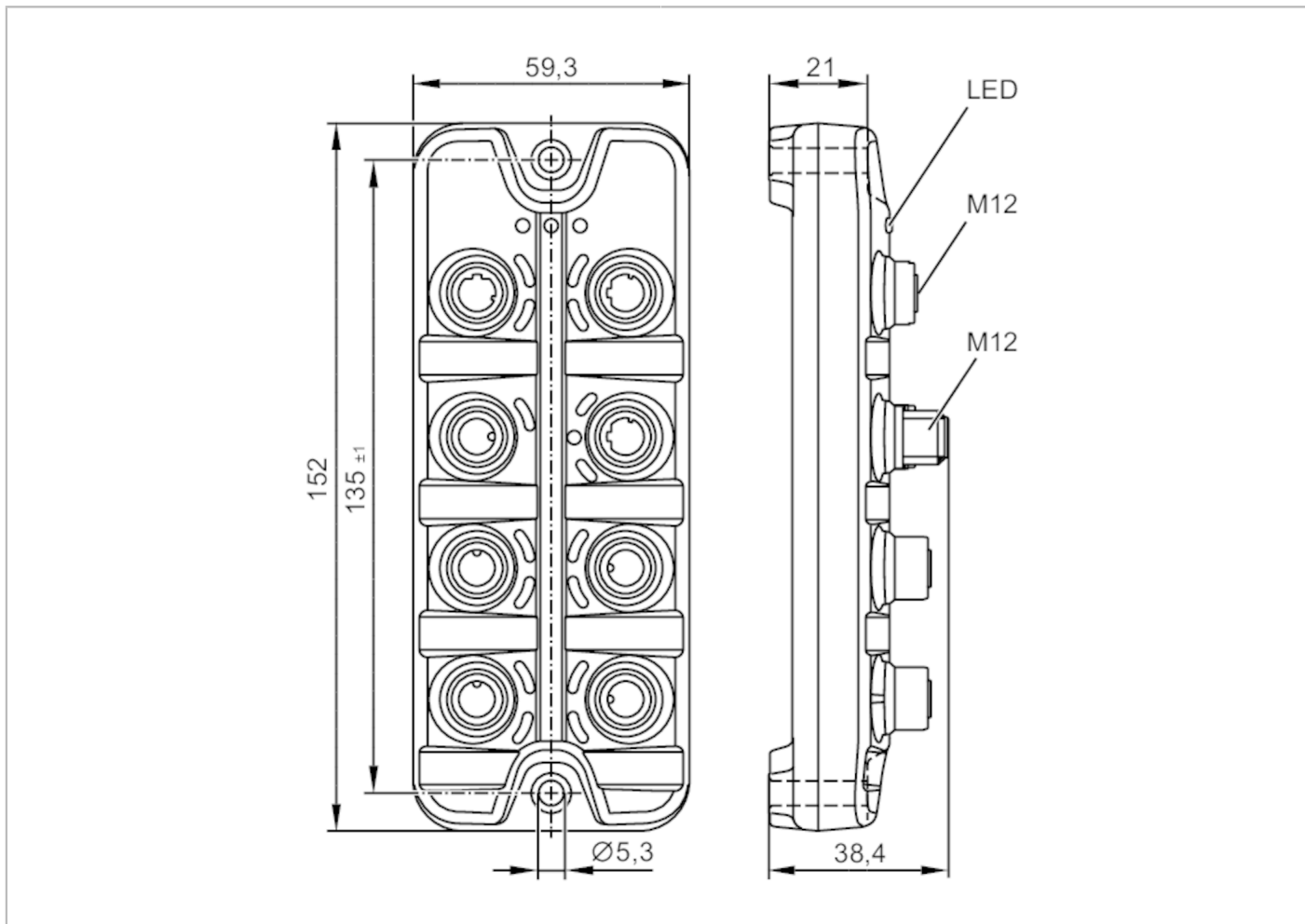


AL1330



IO-Link master with EtherCAT interface

IO-Link Master DL EC 4P IP67



Application	
Application	I/O modules for field applications
Daisy-chain function	fieldbus interface
Electrical data	
Operating voltage [V]	20...30 DC; (US ; to SELV/PELV)
Current consumption [mA]	300...3900; (US)
Protection class	III
Sensor supply US	
Max. current load total [A]	3.6
Inputs / outputs	
Total number of inputs and outputs	8; (configurable)
Number of inputs and outputs	Number of digital inputs: 8; Number of digital outputs: 4
Inputs	
Number of digital inputs	8; (IO-Link Port Class A: 4 x 2)
Switching level high [V]	11...30
Switching level low [V]	0...5



IO-Link master with EtherCAT interface

IO-Link Master DL EC 4P IP67

Digital inputs protected against short circuits	yes	
Outputs		
Number of digital outputs	4; (IO-Link Port Class A: 4 x 1)	
Max. current load per output [mA]	300	
Short-circuit proof	yes	
Interfaces		
Communication interface	Ethernet; IO-Link	
Ethernet - EtherCAT		
Transmission standard	100Base-TX	
Transmission rate	100 MBit/s	
Protocol	EtherCAT	
Factory settings	MAC address: see type label	
Note on interfaces	AoE (ADS over EtherCAT)	
	CoE (CANopen over EtherCAT)	
	EoE (Ethernet over EtherCAT)	
	FoE (File Access over EtherCAT)	
Ethernet - Internet of Things		
Transmission standard	10Base-T; 100Base-TX	
Transmission rate	10 MBit/s; 100 MBit/s	
Protocol	MQTT JSON	
Factory settings	IP address: 169.254.x.x	
	subnet mask: 255.255.0.0	
	gateway IP address: 0.0.0.0	
	MAC address: see type label	
Note on interfaces	Safety protocol: HTTPS	
IO-Link Master		
Transmission type	COM1 (4,8 kBaud); COM2 (38,4 kBaud); COM3 (230,4 kBaud)	
IO-Link revision	1.1	
Number of ports class A	4	
Operating conditions		
Ambient temperature [°C]	-25...60	
Storage temperature [°C]	-25...85	
Max. relative air humidity [%]	90	
Protection	IP 65; IP 66; IP 67	
Protection rating (NEMA 250)	6P	
Degree of soiling	2	
Chemical media	ISO 16750-5	AA, BA, BD, HLP, CC, DB, DC, DD, CA
	NEMA 250 5.13.1	AA
Tests / approvals		
EMC	EN 61000-6-2	
	EN 61000-6-4	
Shock resistance	DIN EN 60068-2-27	
Vibration resistance	DIN EN 60068-2-64 2009-04	
	DIN EN 60068-2-6 2008-10	

AL1330



IO-Link master with EtherCAT interface

IO-Link Master DL EC 4P IP67

MTTF	[years]	95
------	---------	----

Mechanical data

Weight	[g]	302.5
Housing		rectangular
Type of mounting		Backplane mounting
Dimensions	[mm]	152 x 59.3 x 38.4
Material		housing: PA orange; Socket: brass nickel-plated
Sealing material		FKM

Remarks

Remarks	Further information is available in the manual.	
Pack quantity	1 pcs.	

Electrical connection - Ethernet

Connector: 2 x M12; coding: D; sealing: FKM



EtherCAT X21, X22

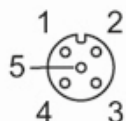
1	TX +
2	RX +
3	TX -
4	RX -
5	not used

IoT X23

1	TX +
2	RX +
3	TX -
4	RX -
5	not used

Electrical connection - IO-Link

Connector: 4 x M12; coding: A; sealing: FKM



IO-Link Port Class A X01...X04

1	Sensor supply (US) L+
2	Digital input
3	Sensor supply (US) L-
4	C/Q IO-Link
5	not used

AL1330



IO-Link master with EtherCAT interface

IO-Link Master DL EC 4P IP67

Electrical connection - voltage supply



X31

1	+ 24 V DC (US)
2	not used
3	GND (US)
4	not used

Electrical connection - voltage supply IN

Connector: 1 x M12

Electrical connection - voltage supply OUT

Connector: 1 x M12; sealing: FKM