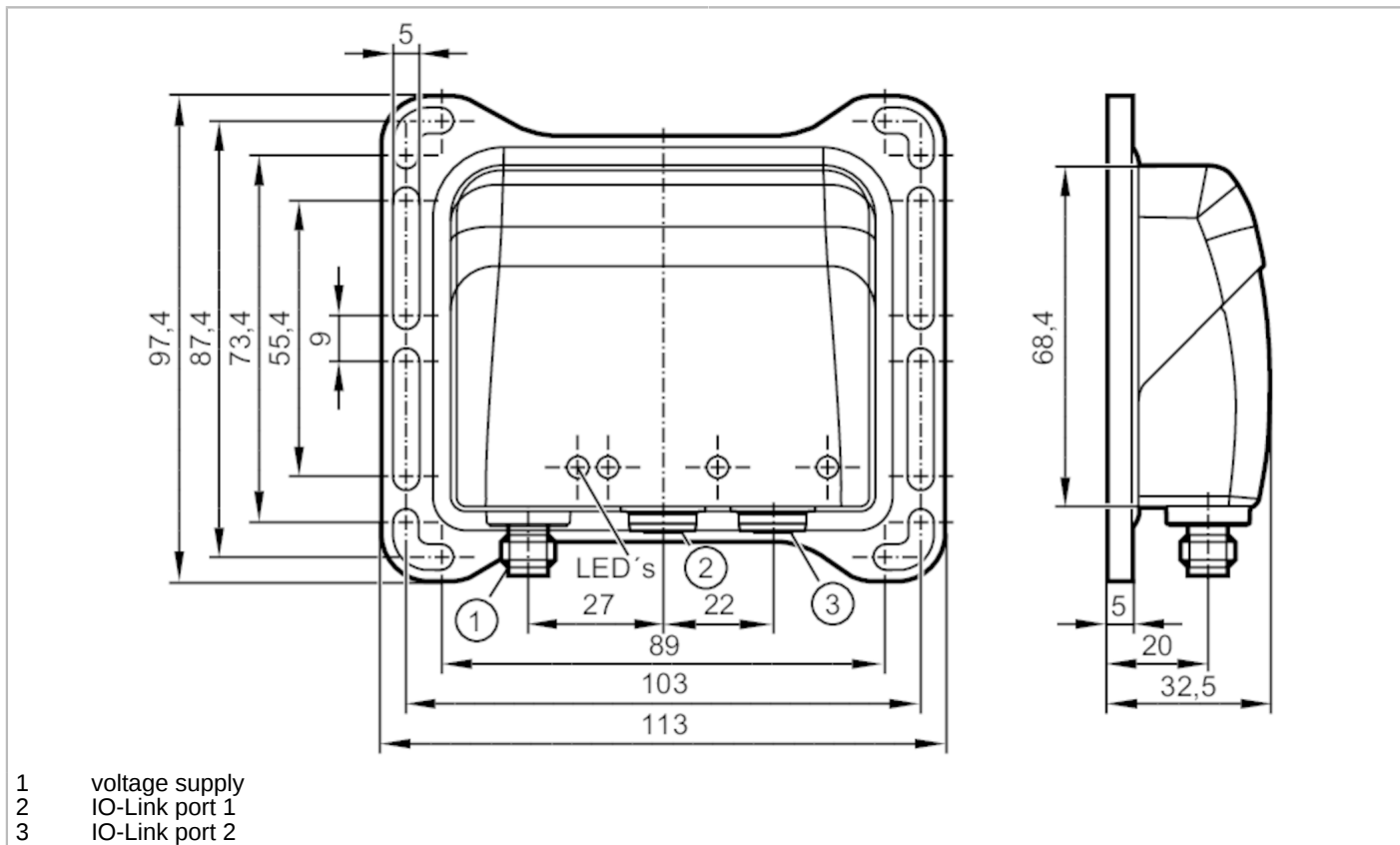


AIK050



Wireless IoT gateway

io-key Cellular IoT Gateway IOL 2P WW



Application	
Application	Sensor data collected and sent to the ifm cloud via radio transmission
Radio approval for	USA; Canada; EU/RED; Australia; Japan; South Africa; Malaysia; Israel
Note on radio approval	The list of countries applying the European Radio Equipment Directive 2014/53/EU (RED) can be found under "Downloads".
Electrical data	
Operating voltage [V]	18...30 DC
Current consumption [mA]	< 2000
Power consumption [W]	8.6
Protection class	III
Reverse polarity protection	yes
Current rating per port [A]	0.5; (IO-Link port)
Bluetooth	
Antenna gain [dB]	3
Inputs / outputs	
Number of inputs and outputs	Number of digital outputs: 2
Outputs	
Number of digital outputs	2
Max. current load per output [mA]	200
Software / programming	
Parameter setting options	dashboard display with alarm functions via email or text message

AIK050



Wireless IoT gateway

io-key Cellular IoT Gateway IOL 2P WW

Interfaces		
Communication interface	IO-Link; Mobile networks; Bluetooth	
Bluetooth		
Transmission standard	BLE 5.0	
Frequency band	2402...2480 MHz	
Transmission power [mW]	2.51	
Usage type	service interface	
Note on interfaces	ceramic antenna integrated	
IO-Link		
Number of ports	2	
Unterstützte IO-Link Revision	1.0; 1.1	
Transmission type	COM1 (4,8 kBaud); COM2 (38,4 kBaud); COM3 (230,4 kBaud)	
Mobile networks		
Transmission standard	NarrowBand-IoT; 2G quadband GSM; LTE Cat-M1	
Frequency band	B1(2100); B2(1900); B3(1800); B4(AWS1700); B5(850); B8(900); B12(700); B18(800); B19(800); B20(800); B26(850); B28(700)	
Operating conditions		
Ambient temperature [°C]	-20...50	
Storage temperature [°C]	-40...60	
Max. height above sea level [m]	3000	
Protection	IP 65	
Tests / approvals		
EMC	EN 301489-1	
	EN 301489-17	
	EN 301489-52	
Vibration resistance	EN 60068-2-6	
Shock resistance	EN 60068-2-27	
Radio approval	EN 301511 EN 301908-1 EN 301908-13 EN 300328	
Mechanical data		
Weight [g]	152.6	
Housing	rectangular	
Dimensions [mm]	97.4 x 113 x 32.5	
Material	housing: ABS	
Displays / operating elements		
Display	voltage supply	1 x LED, yellow
	communication	1 x LED
	IO-Link port	2 x LED, green
Remarks		
Remarks	SIM card onboard	
Pack quantity	1 pcs.	

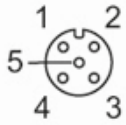


Wireless IoT gateway

io-key Cellular IoT Gateway IOL 2P WW

Electrical connection - IO-Link

Connector: 2 x M12; coding: A



IO-Link Port 1

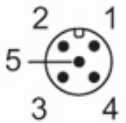
1	+24 V DC(US)
2	not used
3	GND (US)
4	C/Q IO-Link
5	not used

IO-Link Port 2

1	+24 V DC(US)
2	not used
3	GND (US)
4	C/Q IO-Link
5	not used

Electrical connection - voltage supply

Connector: 1 x M12; coding: A



Power

1	+24 V DC
2	Digital output 1
3	L-
4	Digital output 2
5	not used