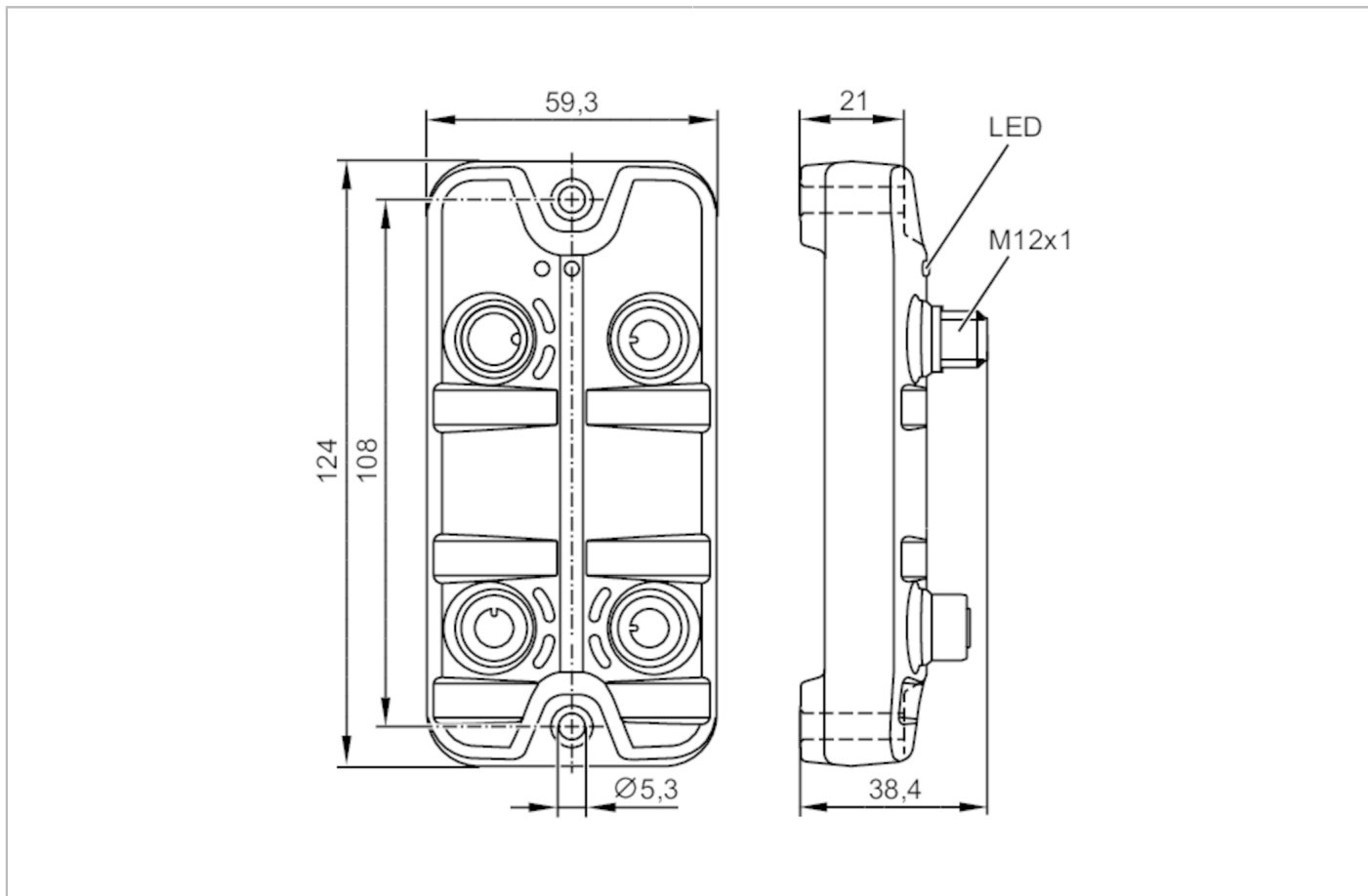


AC6002



IO-Link master with AS-i interface

IO-Link Master AS-i 2P IP67



| Application | |
|---|---|
| Application | field installation |
| Daisy-chain function | voltage supply; fieldbus interface |
| Electrical data | |
| Operating voltage [V] | 26...31.6 DC; (AS-i) |
| Max. current consumption from AS-i [mA] | 350 |
| Protection class | III |
| Max. current load total [A] | 0.3; (ports 1+2: 0,3 (AS-i)) |
| Inputs / outputs | |
| Total number of inputs and outputs | 4; (configurable) |
| Number of inputs and outputs | Number of digital inputs: 4; Number of digital outputs: 2 |
| Inputs | |
| Number of digital inputs | 4; (IO-Link Port Class A: 2 x 2) |
| Sensor supply of the inputs | AS-i |
| Switching level high [V] | 11...30 |
| Switching level low [V] | 0...5 |
| Digital inputs protected against short circuits | yes |



IO-Link master with AS-i interface

IO-Link Master AS-i 2P IP67

| Outputs | | |
|-------------------------------------|---|-------------------------------------|
| Number of digital outputs | 2; (IO-Link Port Class A: 2 x 1) | |
| Max. current load outputs total [A] | 0.3 | |
| Short-circuit proof | yes | |
| Actuator supply outputs | AS-i | |
| Interfaces | | |
| Communication interface | IO-Link; AS-i | |
| IO-Link Master | | |
| Transmission type | COM1 (4,8 kBaud); COM2 (38,4 kBaud); COM3 (230,4 kBaud) | |
| IO-Link revision | 1.1 | |
| Number of ports class A | 2 | |
| Operating conditions | | |
| Ambient temperature [°C] | -25...60 | |
| Storage temperature [°C] | -25...85 | |
| Max. relative air humidity [%] | 90 | |
| Protection | IP 65; IP 66; IP 67 | |
| Protection rating (NEMA 250) | 6P | |
| Degree of soiling | 2 | |
| Chemical media | ISO 16750-5 | AA, BA, BD, HLP, CC, DB, DC, DD, CA |
| | NEMA 250 5.13.1 | AA |
| Tests / approvals | | |
| EMC | EN 61000-6-2 | |
| | EN 61000-6-4 | |
| Shock resistance | DIN EN 60068-2-27 | |
| Vibration resistance | DIN EN 60068-2-64 2009-04 | |
| | DIN EN 60068-2-6 2008-10 | |
| MTTF [years] | 194 | |
| AS-i classification | | |
| AS-i version | 2.11; 3.0 | |
| Extended addressing mode | no | |
| AS-i profile | additional slave (CTT1 input) | S-7.3.E |
| AS-i profile | additional slave (CTT1 output) | S-7.3.2 |
| AS-i profile | basic slave (CTT1 input) | S-7.4.E |
| Number of AS-i devices | 1...5 | |
| Mechanical data | | |
| Weight [g] | 235.7 | |
| Housing | rectangular | |
| Type of mounting | Backplane mounting | |
| Dimensions [mm] | 124 x 59.3 x 38.4 | |
| Material | housing: PA orange; Socket: brass nickel-plated | |
| Electrical connection | | |
| Module connection | M12 | |



IO-Link master with AS-i interface

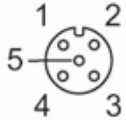
IO-Link Master AS-i 2P IP67

Remarks

| | |
|---------------|---|
| Remarks | Further information is available in the manual. |
| Pack quantity | 1 pcs. |

Electrical connection - IO-Link

Connector: 2 x M12; coding: A



IO-Link Port Class A X01...X02

| | |
|---|------------------|
| 1 | + 24 V DC (AS-i) |
| 2 | Digital input |
| 3 | GND (AS-i) |
| 4 | C/Q IO-Link |
| 5 | not used |

Electrical connection - voltage supply IN

Connector: 1 x M12; coding: A

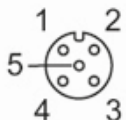


X21

| | |
|---|---------------|
| 1 | AS-i + |
| 2 | AUX - bridged |
| 3 | AS-i - |
| 4 | AUX + bridged |

Electrical connection - voltage supply OUT

Connector: 1 x M12; coding: A



X22

| | |
|---|---------------|
| 1 | AS-i + |
| 2 | AUX - bridged |
| 3 | AS-i - |
| 4 | AUX + bridged |
| 5 | not used |