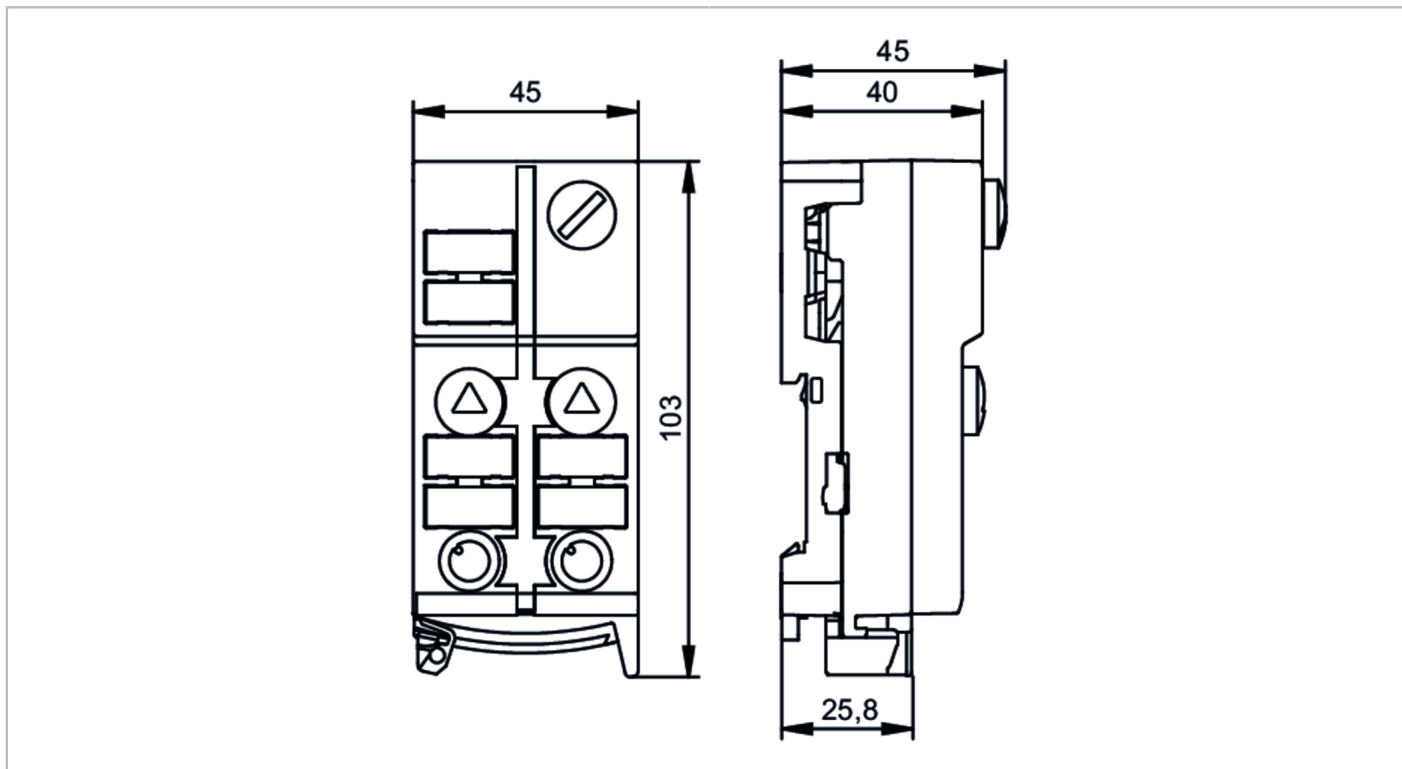


# AC5218



## AS-Interface ClassicLine module with quick mounting technology

ClassicLine 2AO C IP67



Product characteristics	
Number of inputs and outputs	Number of analog outputs: 2
Application	
Design	housing for DIN rail mounting
Application	field installation
Electrical data	
Operating voltage [V]	18...31.6 DC
Max. current consumption from AS-i [mA]	50
Reverse polarity protection	yes
Additional voltage supply [V]	16...30 DC; (AUX)
Max. current consumption from additional supply [mA]	2000
Integrated watchdog	yes
Inputs / outputs	
Number of inputs and outputs	Number of analog outputs: 2
Outputs	
Number of analog outputs	2; (connection of 2-wire, 3-wire and 4-wire actuators)
Analog current output [mA]	4...20
Max. voltage drop across load for nominal current [V]	10
Resolution of analog output	12 bit



## AS-Interface ClassicLine module with quick mounting technology

ClassicLine 2AO C IP67

Accuracy / deviations		
Measuring error [% of the final value]		0,5
Operating conditions		
Ambient temperature	[°C]	-25...70
Storage temperature	[°C]	-25...70
Max. relative air humidity	[%]	90; (non condensing)
Max. height above sea level	[m]	2000
Protection		IP 67
Degree of soiling		2
Tests / approvals		
EMC		EN 50295
		EN 61000-6-2
		EN 61000-6-3
MTTF	[years]	125
UL approval	voltage supply	Class 2
AS-i classification		
AS-i version		2.11; 3.0
Extended addressing mode		no
AS-i master profile		M3; M4
AS-i profile		S-7.3.5
AS-i I/O configuration	[hex]	7
AS-i ID code	[hex]	3.5
AS-i certificate		124001
Mechanical data		
Weight	[g]	183
Housing		rectangular
Type of mounting		quick mounting; AS-i flat cable connection; Mounting on DIN rail; (TH35 (EN 60715))
Dimensions	[mm]	103 x 45 x 44.7
Material		PA; Piercing contacts: CuSn6 nickel-plated and tin-plated
Displays / operating elements		
Display	analog signal	LED, yellow Channels AO1...AO2
	Power	LED, green AS-i, AUX
	errors	LED, red
Electrical connection		
Module connection		Flat cable
Accessories		
Items supplied		lower part
Accessories (optional)		Protective cap: M12, E73004
Remarks		
Remarks	<p>There is an electrical separation between AS-i and AUX and between AS-i and the analog outputs.</p> <p>The actuator supply on pins 1 and 3 can be used to supply the actuators.</p> <p>3-wire connection possible via external link.</p>	

# AC5218



## AS-Interface ClassicLine module with quick mounting technology

ClassicLine 2AO C IP67

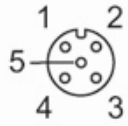
Pack quantity

1 pcs.

### Electrical connection

quick mounting technology for AS-i flat cable: ; three selectable directions

Connector: M12; coding: A



	analog output
1	Actuator supply + 24 V
2	analog output AO +
3	Actuator supply 0 V
4	analog output AO -
5	functional earth FE