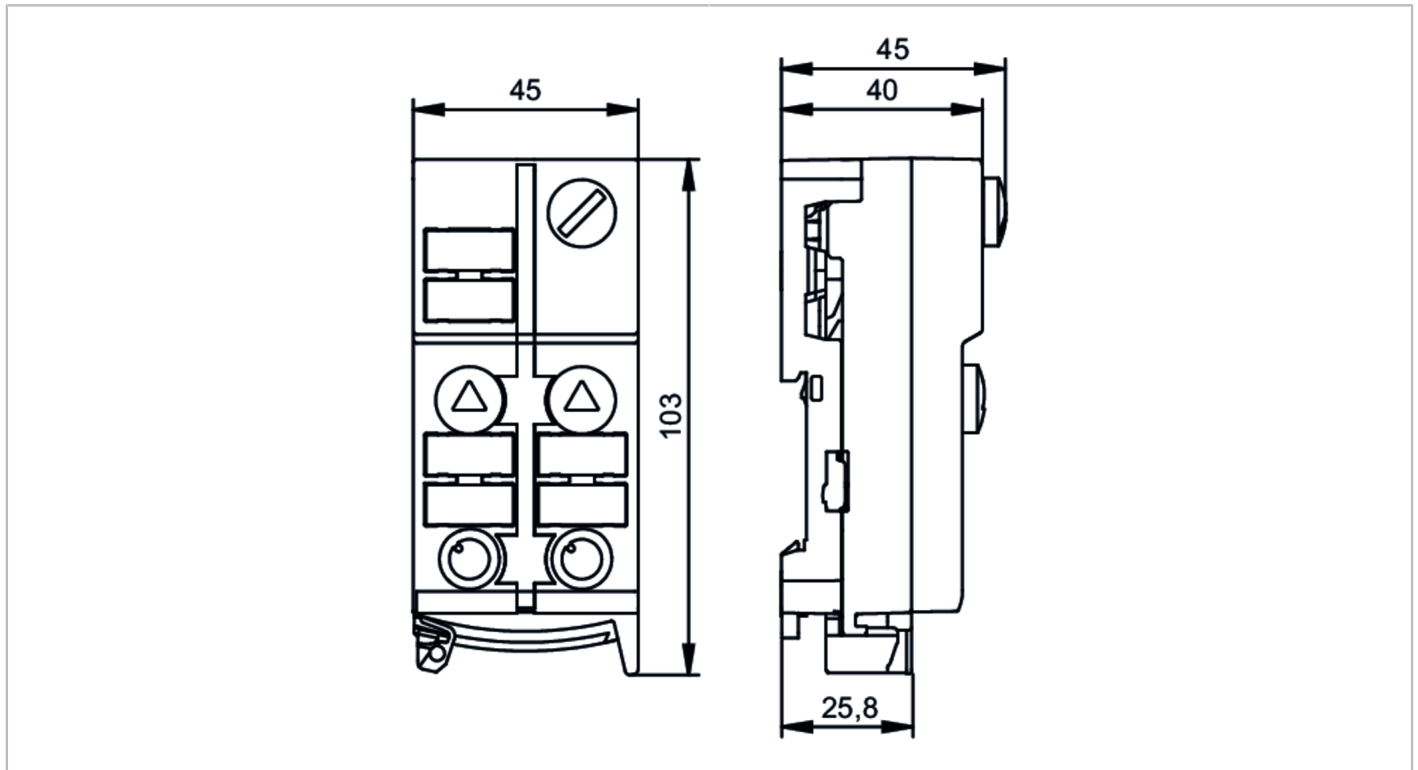


# AC5208



## AS-Interface ClassicLine module with quick mounting technology

ClassicLine 4DO-Y IP67



Application	
Design	housing for DIN rail mounting
Application	field installation
Electrical data	
Operating voltage [V]	26.5...31.6 DC; (cULus - Class 2 source required)
Max. current consumption from AS-i [mA]	50
Additional voltage supply [V]	15...30 DC; (AUX)
Max. current consumption from additional supply [mA]	4000
Integrated watchdog	yes
Inputs / outputs	
Number of inputs and outputs	Number of digital outputs: 4
Outputs	
Number of digital outputs	4
Circuit	PNP
Voltage range DC [V]	15...30; (to PELV; via flat cable)
Max. current load per output [mA]	1000; (utilization category DC-13 (control of electromagnets): 20 W (IEC 60947-5-1))
Max. current load outputs total [A]	4
Short-circuit proof	yes
Electrically separated	yes
Actuator supply outputs	AUX

# AC5208



## AS-Interface ClassicLine module with quick mounting technology

ClassicLine 4DO-Y IP67

Operating conditions																					
Ambient temperature [°C]	-25...70																				
Protection	IP 67																				
Tests / approvals																					
EMC	EN 50295																				
	IEC 61000-6-2																				
MTTF [years]	211																				
AS-i classification																					
AS-i version	2.11; 3.0																				
AS-i addressing	Addressing socket																				
Extended addressing mode	no																				
AS-i master profile	M2; M3; M4																				
AS-i profile	S-8.0.E																				
AS-i I/O configuration [hex]	8																				
AS-i ID code [hex]	0.E																				
Data bits	<table border="1"><thead><tr><th>Data bit</th><th>D0</th><th>D1</th><th>D2</th><th>D3</th></tr></thead><tbody><tr><td>Output</td><td>1</td><td>2</td><td>3</td><td>4</td></tr><tr><td>Socket</td><td>O-1/2</td><td>O1/2 O-2</td><td>O-3/4</td><td>O-3/4 O-4</td></tr><tr><td>Pin</td><td>4</td><td>2 4</td><td>4</td><td>2 4</td></tr></tbody></table>	Data bit	D0	D1	D2	D3	Output	1	2	3	4	Socket	O-1/2	O1/2 O-2	O-3/4	O-3/4 O-4	Pin	4	2 4	4	2 4
Data bit	D0	D1	D2	D3																	
Output	1	2	3	4																	
Socket	O-1/2	O1/2 O-2	O-3/4	O-3/4 O-4																	
Pin	4	2 4	4	2 4																	
Mechanical data																					
Weight [g]	154.15																				
Housing	rectangular																				
Type of mounting	AS-i flat cable connection; Mounting on DIN rail; (TH35 (EN 60715))																				
Dimensions [mm]	103 x 45 x 44.7																				
Material	PA; Piercing contacts: CuSn6 nickel-plated and tin-plated																				
Displays / operating elements																					
Display	Power	LED, green																			
	errors	LED, red																			
	Function	LED, yellow																			
Electrical connection																					
Module connection	Flat cable																				
Accessories																					
Items supplied	lower part																				
Accessories (optional)	Protective cap: M12, E73004																				
Remarks																					
Pack quantity	1 pcs.																				



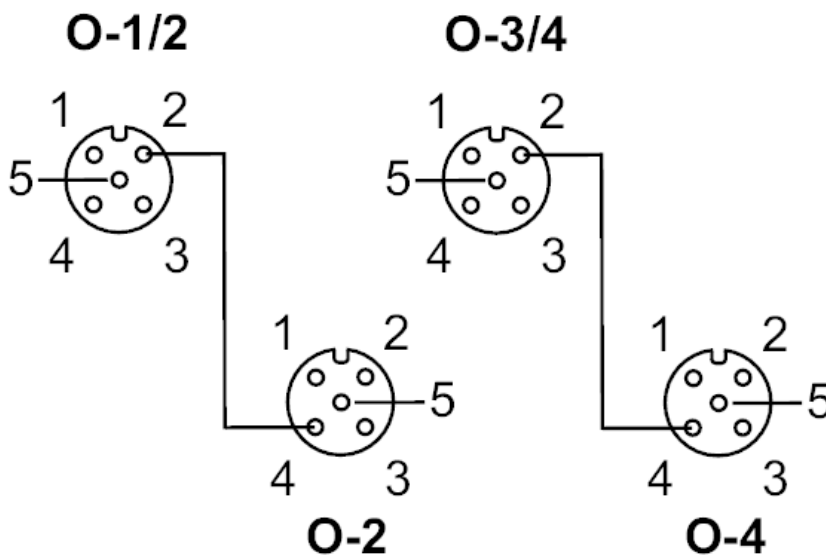
## AS-Interface ClassicLine module with quick mounting technology

ClassicLine 4DO-Y IP67

### Electrical connection

quick mounting technology for AS-i flat cable: ; three selectable directions

#### Connection



Connector: M12

	Outputs
	Socket O-1/2
1	not used
2	Switching output 2
3	External voltage AUX -
4	Switching output 1
5	not used
	Socket O-2
1	not used
2	not used
3	External voltage AUX -
4	Switching output 2
5	not used
	Socket O-3/4
1	not used
2	Switching output 4
3	External voltage AUX -
4	Switching output 3
5	not used
	Socket O-4
1	not used
2	not used
3	External voltage AUX -
4	Switching output 4
5	not used