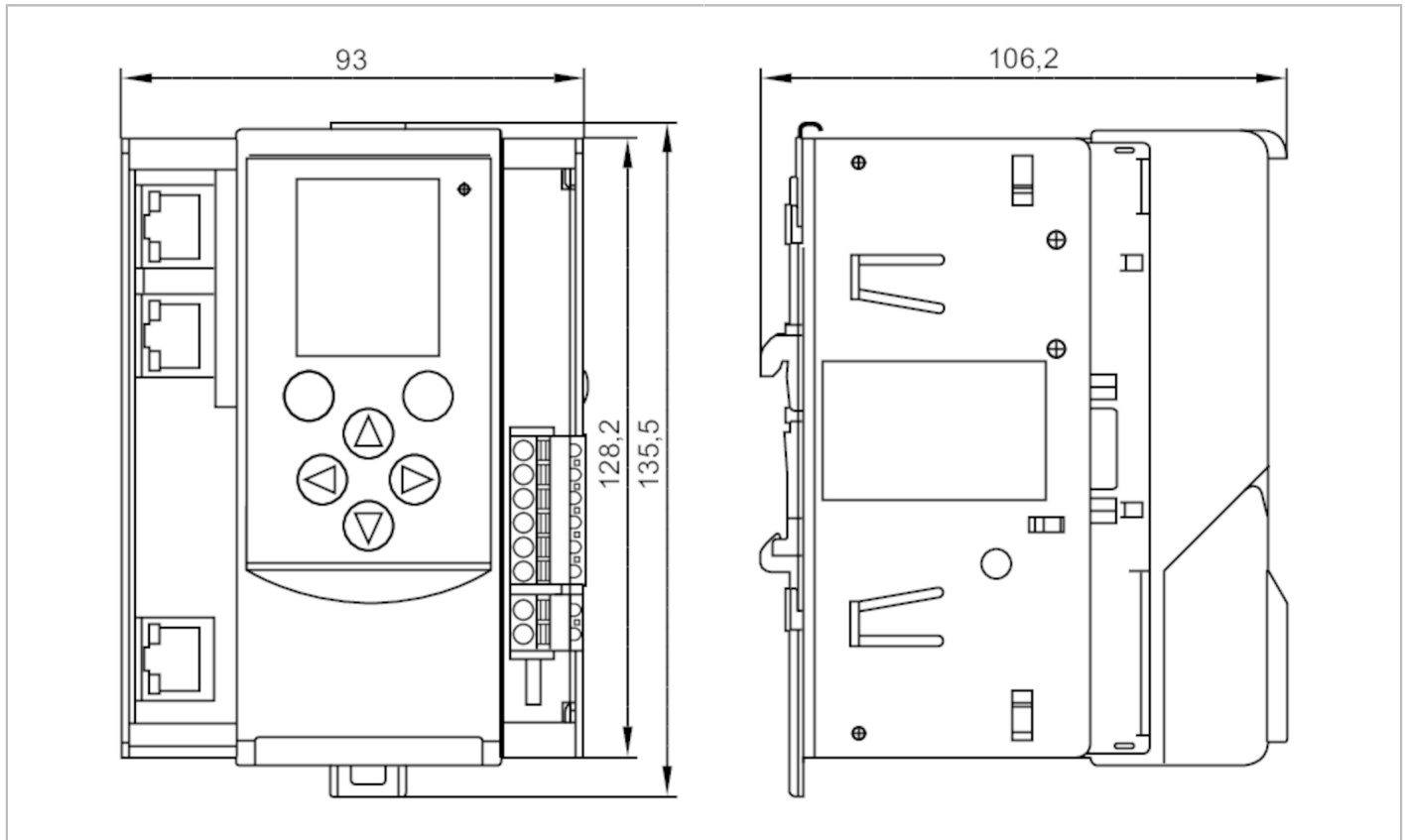


AC422S



AS-Interface EtherNet/IP gateway with fail-safe PLC

SmartPLC SafeLine 2ASi EIP



| Application | |
|---|---|
| Design | housing for DIN rail mounting |
| Application | EtherNet/IP gateway with safe preprocessing |
| Electrical data | |
| Operating voltage [V] | 18...32 DC; (AUX) |
| Current consumption [mA] | < 750 |
| Max. current consumption from AS-i [mA] | AS-i 1: 10 mA; AS-i 2: 10 mA |
| Number of AS-i masters | 2 |
| Electrical separation | yes |
| Inputs | |
| Input circuit of digital inputs | PNP; (type 2 according to IEC 61131-2) |
| Sensor supply of the inputs | to SELV/PELV |
| Voltage supply [V] | 24; (18...32 DC) |
| Input current High [mA] | 7 |
| Outputs | |
| Circuit | PNP |
| Voltage range DC [V] | 24; (18..32 DC ; to SELV/PELV) |
| Max. current load per output [mA] | 500; (utilization category DC-13 (control of electromagnets)) |
| Switching frequency AC [Hz] | < 25 |
| Short-circuit proof | yes |



AS-Interface EtherNet/IP gateway with fail-safe PLC

SmartPLC SafeLine 2ASi EIP

| | |
|---|---|
| Electrically separated | yes |
| Interfaces | |
| Communication interface | Ethernet |
| Ethernet - EtherCAT | |
| Protocol | EtherCAT |
| Usage type | Programming |
| Ethernet - EtherNet/IP | |
| Transmission rate | 100 MBaud |
| Protocol | EtherNet/IP |
| Usage type | Data transmission; Programming |
| Ethernet - FSoE | |
| Protocol | FSoE |
| Ethernet - Modbus TCP | |
| Transmission rate | 10 MBaud; 100 MBaud |
| Type of connector | RJ45 |
| Protocol | Modbus TCP |
| Usage type | Programming |
| Ethernet - TCP/IP | |
| Transmission rate | 10 MBaud; 100 MBaud |
| Type of connector | RJ45 |
| Protocol | TCP/IP |
| Usage type | Programming |
| Ethernet - UDP/IP | |
| Transmission rate | 10 MBaud; 100 MBaud |
| Type of connector | RJ45 |
| Protocol | UDP/IP |
| Usage type | Programming |
| Operating conditions | |
| Ambient temperature [°C] | 0...45 |
| Note on ambient temperature | cULus: ...50 °C |
| Storage temperature [°C] | -20...70 |
| Protection | IP 20 |
| Safety classification | |
| Complies with the requirements | ISO 13849-1: 2023 Category 4, PL e IEC 61508 SIL 3 |
| Mission time TM [h] | 175200 |
| Mission time TM (additional indication) | 20 years |
| PFH [1/h] | 1,21E-08 |
| PFD | 1,04E-04 |
| Max. internal inductance [µH] | 400 |
| AS-i classification | |
| AS-i version | 3.0 |

AC422S



AS-Interface EtherNet/IP gateway with fail-safe PLC

SmartPLC SafeLine 2ASi EIP

| | |
|---------------------|--------|
| AS-i master profile | M4 |
| AS-i certificate | 125301 |

Mechanical data

| | |
|------------------|--|
| Weight [g] | 851.4 |
| Housing | rectangular |
| Type of mounting | Mounting on DIN rail; (TH35 (EN 60715)) |
| Dimensions [mm] | 135.5 x 93 x 106.2 |
| Material | aluminum powder-coated; steel sheet galvanized; PC |

Displays / operating elements

| | | |
|---------|----------|--------------------------|
| Display | Function | 1 x LED, red/green |
| | | full graphic LCD display |

Accessories

| | |
|----------------|-----------|
| Items supplied | terminals |
|----------------|-----------|

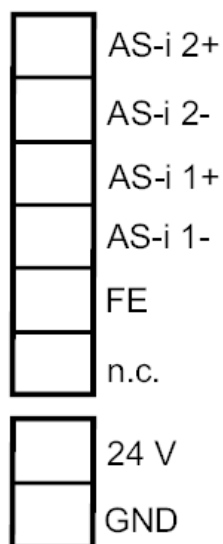
Remarks

| | |
|---------------|--------|
| Pack quantity | 1 pcs. |
|---------------|--------|

Electrical connection - 1

Connection

X1, X2 Power supply



AC422S



AS-Interface EtherNet/IP gateway with fail-safe PLC

SmartPLC SafeLine 2ASi EIP

Electrical connection - 2

Connection

X4 Local inputs/outputs

| | | | |
|-----|--|--|-------|
| IN1 | | | OUT 1 |
| IN2 | | | OUT 2 |
| IN3 | | | OUT 3 |
| IN4 | | | OUT 4 |
| IN5 | | | GND |
| IN6 | | | GND |
| IN7 | | | 24 V |
| IN8 | | | 24 V |