



EnGenius Station Outdoor Wireless

EnGenius® Managed Station Outdoor Wireless

Reliable and Scalable Outdoor Access Points

EnGenius Station Outdoor Access Points provide ultra-fast wireless connectivity, flexible scalability, and unwavering reliability. Delivering high-capacity Wi-Fi 6 to various outdoor spaces like resort pools, campus quads, and other properties, these access points boast exceptional range and peak performance even in the harshest environments. Whether operating individually or seamlessly managed centrally, there are no licensing or subscription fees to worry about.

High-Performance and Long-Range Connectivity with Wi-Fi 6

Wi-Fi 6(11ax) wireless speed increases throughput, supporting greater efficiency, and accommodates heavy multi-application traffic with extended bandwidth over greater distances.

Flexible Outdoor Deployment with Power-over-Ethernet

Easily connect and power the Access Points with 802.3af/at PoE port, enabling hassle-free deployment and versatile device placement for outdoor environments with limited power outlets.

Outstanding Performance in Harsh Outdoor Environments

The robust Station Outdoor Access Points boast IP55 standard waterproofing and anti-UV protection, ensure resilience against surges and ESD, and withstand temperatures ranging from -20° C to 60°C, guaranteeing exceptional performance even in the harshest outdoor environments.

Effortless Network Setup and Management with EnWiFi App

The EnWiFi App enables single device or group settings for both indoor and outdoor applications, with quick-setup options for deployment and monitoring for initial configuration.

Features & Benefits

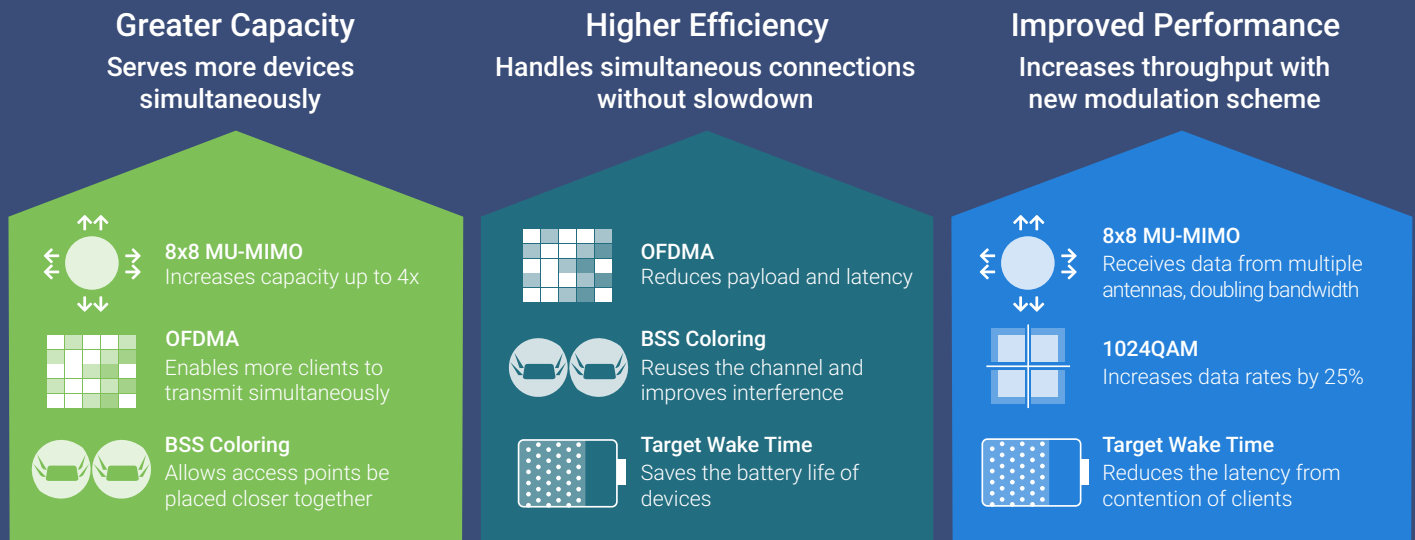
- Supports standards up to 802.11ax and backward compatible with 11ac/a/b/g/n
- Wi-Fi 6 supports up to 1,200 Mbps in a 5GHz band & 574 Mbps in a 2.4GHz band.
- Beamforming optimizes antenna signal, reception & reliability for clients.
- Uplink & downlink of MU-MIMO provides optimal signal and reception for up to eight devices.
- 802.3at PoE standard allows for flexible installation over 100 meters.
- Flexible operation modes: Access Point, Station, WDS Access Point, WDS Station, Repeater.
- High-gain 2x2 directional antennas or detachable omni-direction antennas.
- IP55-rated weatherproof & dustproof housing to withstand the harsh environment.
- Flexible Operation Modes: Access Point, Station, WDS Access Point, WDS Station, and Repeater.
- EnWiFi App simplifies wireless network deployment, management, and monitoring with an intuitive interface.



Wireless Access Points Feature Highlights

The Future-Proof Next-Gen Wi-Fi 6

The Wi-Fi 6(802.11ax) technology builds upon real-world deployment of 11ac. As a new generation Wi-Fi, 11ax is no longer just about speeds but also about stronger, steadier, and more efficient wireless connections.



Ultra-Fast Connecting Speeds

The Wi-Fi 6 Station Outdoor Access Points deliver the highest available speeds for Wi-Fi connectivity devices. Beamforming technology focuses signals directly to client devices, providing optimal, reliable reception even in densely crowded environments. The dual-concurrent MU-MIMO radio operation sends beams to multiple users simultaneously, creating increased network capacity.

Better Performance and Longer ranges

The Wi-Fi 6 outdoor bridge extends the wireless network in locations where cabling is not practical and eliminates the expense of cable runs. When paired with another Wi-Fi 6 bridge, the fast speeds and optimal bandwidth at extended ranges transmit clear, seamless HD video streaming from all cameras to the command center, achieving longer ranges in a point-to-point/multiple-point deployment.



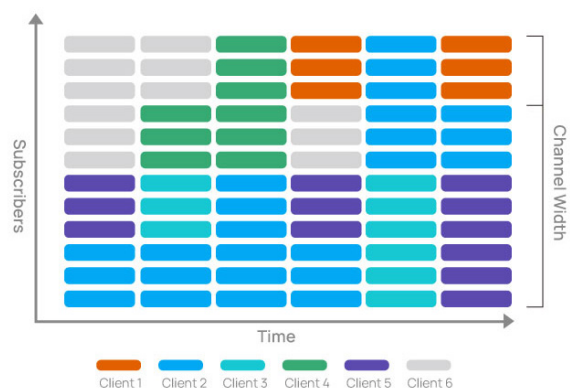
Longer OFDM Symbol Time robust against interference

Long Signal OFDM offers much broader multi-path tolerance, reduces overhead, and bolsters throughput making outdoor wireless more reliable. It increases resilience to channel impairments, especially in environments with multi-path fading and other signal distortions, improving wireless communication reliability and efficiency.



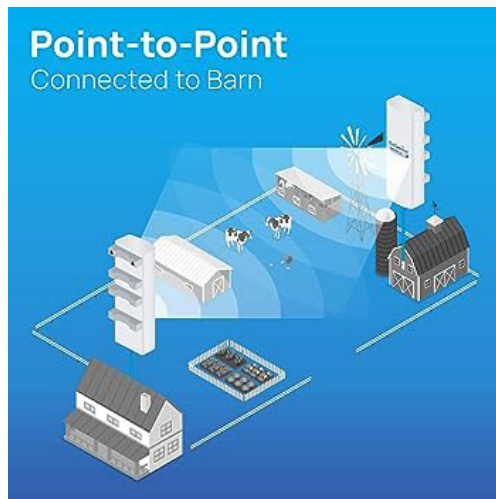
OFDMA in Both Uplink and Downlink

With a traditional Wi-Fi network, devices may have to wait for the client to send or receive data on a crowded network. OFDMA allows for more devices to be served data in the same transmission window, resulting in more efficient communication and reduces latency with multiple devices simultaneously.



Typical Applications for Point to Point and Multi-point Networks

- Connecting two or more buildings together to provide a single network
- Fiber Replacement
- Video Surveillance System
- To provide a temporary site link
- To have a disaster recovery link in mission critical networks
- Sharing network resources with other locations
- RV Parks
- Marinas
- Digital Signage
- Solar Array



Optimize Connectivity with Mesh Technology

Utilize mesh access point mode on select Fit APs for retrofit or new install applications where wire runs are not possible. Mesh's smart sensing technology adds devices quickly, optimizes routes between APs, and automatically self-heals the network in the event an AP should ever lose connection.

Keep High Performance in Harsh Environments

Designed to perform in harsh conditions, EnGenius Station Outdoor Access Points feature industrial-grade from IP55-rated enclosures, ensuring the APs can withstand extreme outdoor climates. This includes prolonged outdoor exposure to sunlight, extreme cold, frost, snow, rain, hail, heat and humidity.



EnWiFi: Wireless Network Set-Up and Management App



EnWiFi Mobile App

The EnWiFi App enables single device or group settings for both indoor and outdoor applications, with quick-setup options for deployment and monitoring for initial configuration.



Manage On-the-Go

Enables fast indoor & outdoor wireless network deployment by providing network management on-the-go.



Easy Configuration

Enables user to do mass configuration changes, firmware updates, monitoring via an intuitive interface.



Visualized Monitoring

Enables users to view the status of a wireless network at a glance and quickly identify healthy or offline wireless access points.



Station Outdoor Wireless Comparison Table

EnGenius Station Outdoor Wireless							
Model Number	ENH1350 EXT	ENS610 EXT	ENS620 EXT	Enstation5-AC	EnstationAC	ENH500-AX	EnStation6
Wi-Fi Standard	802.11a/b/g/n/ac Wave 2	802.11a/n/ac	802.11a/b/g/n/ac Wave 2	802.11a/b/g/n/ac Wave 2	802.11a/b/g/n/ac Wave 2	802.11a/n/ac/ax	802.11a/n/ac/ax
Frequency	2.4 GHz & 5GHz	2.4 GHz & 5GHz	2.4 GHz & 5GHz	5 GHz	5 GHz	5 GHz	5 GHz
Data Rate (2.4 GHz)	400 Mbps	400 Mbps	400 Mbps	-	-	-	-
Data Rate (5 GHz)	867 Mbps	867 Mbps	867 Mbps	867 Mbps	867 Mbps	1200 Mbps	1200 Mbps
Radio Chains	2 x 2:2	2 x 2:2	2 x 2:2	2 x 2:2	2 x 2:2	2 x 2:2	2 x 2:2
Tx Power (2.4 GHz)	23 dBm	15 dBm	27 dBm	-	-	-	-
Tx Power (5 GHz)	23 dBm	15 dBm	27 dBm	26 dBm	26 dBm	26 dBm	26 dBm
Antennas	2x 5 dBi(2.4 GHz) 2x 5 dBi(5 GHz)	2x 5 dBi(2.4 GHz) 2x 5 dBi(5 GHz)	2x 5 dBi(2.4 GHz) 2x 5 dBi(5 GHz)	19 dBi (5 GHz)	19 dBi (5 GHz)	16dBi (5 GHz)	19 dBi(5 GHz)
Antenna Beam-width	-	-	-	-	-	Azimuth:40°, Elevation:20°	Azimuth:25°, Elevation:24°
PoE Standard	802.3af/at	24V Proprietary	24V Proprietary	24V Proprietary	PoE: 802.3at PSE: 802.3af	Proprietary 54V	Proprietary 54V
Network Interface	1x GE port	2x GE ports	2x GE ports	2x GE ports	2x GE ports	1x GE Proprietary PoE Port 1x GE Port	1x GE Proprietary PoE Port 1x GE Port
IP Rating	IP67	IP55	IP55	IP55	IP55	IP55	IP55
Mounting Type	Wall/Pole mount	Wall/Pole mount	Wall/Pole mount	Wall/Pole mount	Wall/Pole mount	Wall/Pole mount	Wall/Pole mount
Dimensions	174 x 111 x 30 mm	186 x 100 x 29 mm	192 x 114 x 48 mm	Φ190 x 38 mm	Φ190 x 38 mm	260 x 84 x 55 mm	Φ190 x 38 mm
Operating Modes	AP/Mesh/CB/WDS AP/WDS BR/WDS STA	AP/STA/WDS AP/ WDS STA/ Repeater	AP/CB/WDS AP/ WDS BR/WDS STA/ Repeater	AP/CB/WDS AP/ WDS STA	AP/CB/WDS AP/ WDS STA	AP/STA/WDS AP/ WDS STA/ Repeater	AP/STA/WDS AP/ WDS STA/ Repeater
MU-MIMO	●	●	●	●	●	●	●
Beamforming	●	●	●	●	●	●	●
Mobile app (EnWiFi App)	●	●	●	●	●	●	●

*Models vary depending on the region.

Specifications, and Product Views

ENH1350EXT Specifications

Radio Specification

Wi-Fi Standards

802.11a/b/g/n/ac Wave 2

Tx Power (Aggregated)

2.4GHz: Max. 23dBm*

5GHz: Max. 23dBm*

Data Rate

802.11b: 1, 2, 5.5, 11Mbps

802.11a/g: 6, 9, 12, 18, 36, 48, 54Mbps

802.11n: 6.5 to 400Mbps (MCS0 to MCS15, HT20 to HT40, support 256-QAM modulation to achieve 400Mbps under 2.4GHz)

802.11ac: 6.5 to 867Mbps (MCS0 to MCS9, NSS=1 to 2, VHT20 to VHT80)

802.11ax (2.4GHz): -

802.11ax (5GHz): -

SU-MIMO Capability

2.4GHz: 2x2

5GHz: 2X2

MU-MIMO Capability

2.4GHz: 2x2

5GHz: 2X2

Modulation Type

802.11b: BPSK, QPSK, CCK

802.11a/g/n/ac: BPSK, QPSK, 16-QAM, 64-QAM, 256-QAM

802.11ax: -

Support frequency

2412-2482MHz, 5150-5250MHz, 5250-5350MHz, 5470-5725MHz, 5725-5850MHz*

Tx Beamforming

Yes

Antenna Specification

2.4GHz

2 x 5dBi (SMA Type)

5GHz

2 x 5dBi (SMA Type)

Physical Interfaces

Networking Ethernet Port

1 x 10/100/1000 BASE-T

DC-Input

-

Reset Button

Yes, proceed reset and reboot when pushing this button on the accompanied PoE adapter EPA5006GR

Power Source and Consumption

Power over Ethernet (PoE)

PoE: 802.3af/at, Proprietary 54V

DC-Input

-

Power Consumption

PoE: Max. 12.6W

Mechanical Specification

Dimensions

174 x 111 x 30 mm

Weight

829.5 g

Environmental Specification

Operating Temperature

-20 to 60 °C

Storage Temperature

-40 to 80 °C

Storage Humidity

0 to 90% non-condensing

IP Rating

IP67

Surge Protection

L-L: 1KV

L-G: 2KV

ESD Protection

Air: 8KV

Mounting Method

Ceiling Mount

-

Wall Mount

Yes

Pole Mount

Yes

Regulatory Compliance and Certification

Regulatory Compliance

FCC, CE, IC, NCC

Safety Compliance

CB, BSMI

Wi-Fi Alliance

Yes

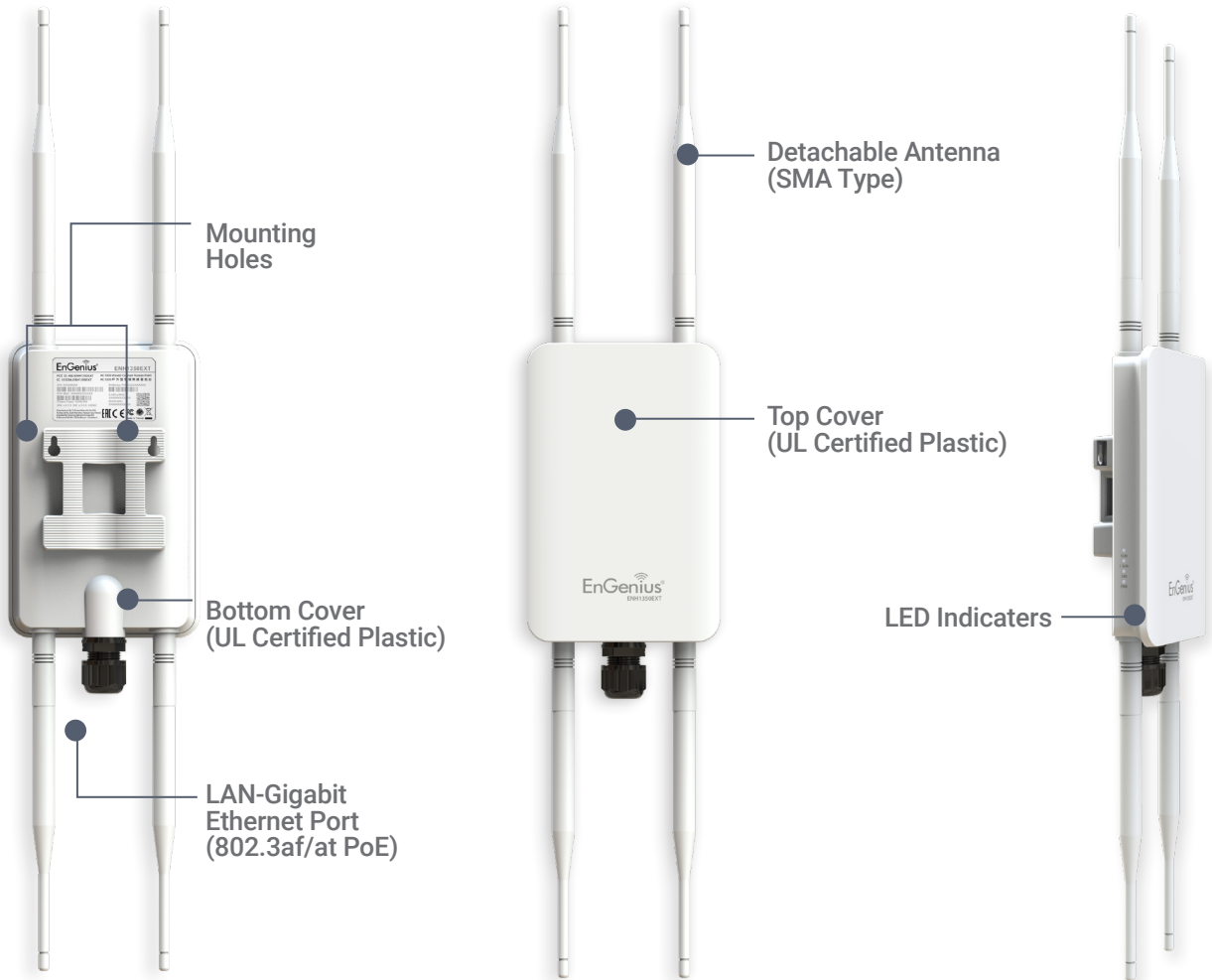
WEEE

Yes

RoHS

Yes

ENH1350EXT Product Views



Specifications and Product Views

ENS610EXT Specifications

Radio Specification

Wi-Fi Standards

802.11a/b/g/n/ac Wave 2

Tx Power (Aggregated)

2.4GHz: Max. 15 dBm

5GHz: Max. 15 dBm

Data Rate

2.4 GHz: Max 400

5 GHz: Max 867

802.11b: 1, 2, 5.5, 11

802.11g: 6, 9, 12, 18, 24, 36, 48, 54

802.11n: 6.5 to 400 (MCS0 to MCS15)

802.11ac: 6.5 to 867 (MCS0 to MCS9, NSS=1~2)

SU-MIMO Capability

5GHz: 2X2

MU-MIMO Capability

5GHz: 2X2

Modulation Type

802.11b: BPSK,QPSK, CCK

802.11a/g/n/ac: BPSK,QPSK, 16-QAM, 64-QAM, 256-QAM

802.11ax: -

Support frequency

2.4GHz: 2400 MHz ~ 2835 MHz

5GHz: 5150 MHz ~ 5250 MHz, 5250 MHz ~ 5350 MHz, 5470 MHz ~ 5725 MHz, 5725MHz ~ 5850MHz

Tx Beamforming

Yes

Antenna Specification

2.4GHz

2 x 5dBi (SMA Type)

5GHz

2 x 5dBi (SMA Type)

Physical Interfaces

Networking Ethernet Port

2 x 10/100/1000 BASE-T

DC-Input

-

Reset Button

Yes, proceed reset and reboot when pushing this button on the device.

Power Source and Consumption

Power over Ethernet (PoE)

Proprietary 24V

DC-Input

-

Power Consumption

PoE: Max. 15W

Mechanical Specification

Dimensions

180 x 100 x 29mm

Weight

507 g

Environmental Specification

Operating Temperature

-20 to 60 °C

Storage Temperature

-40 to 80 °C

Storage Humidity

0 to 90% non-condensing

IP Rating

IP55

Surge Protection

L-L: 1KV

L-G: 2KV

ESD Protection

Air: 8KV

Mounting Method

Ceiling Mount

-

Wall Mount

Yes

Pole Mount

Yes

Regulatory Compliance and Certification

Regulatory Compliance

FCC, CE, IC, RCM, NCC

Safety Compliance

CB, UL, BSMI

Wi-Fi Alliance

Yes

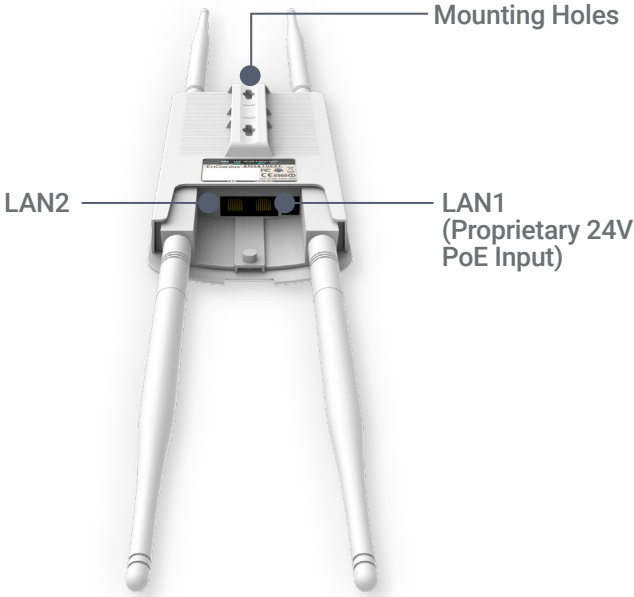
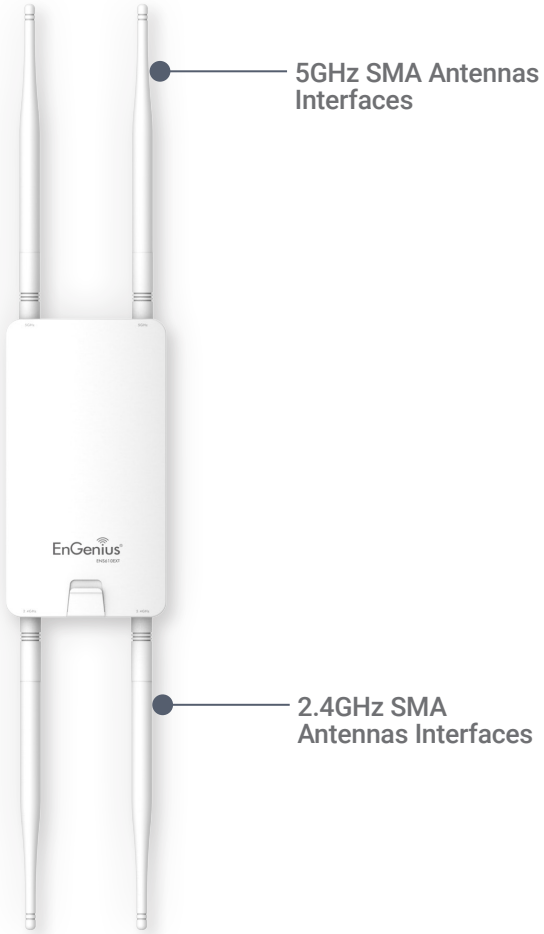
WEEE

Yes

RoHS

Yes

ENS610EXT Product Views



Specifications and Product Views

ENS620EXT Specifications

Radio Specification

Wi-Fi Standards

802.11a/b/g/n/ac Wave 2

Tx Power (Aggregated)

2.4GHz: Max. 27dBm*

5GHz: Max. 27dBm*

Data Rate

802.11b: 1, 2, 5.5, 11Mbps

802.11a/g: 6, 9, 12, 18, 36, 48, 54Mbps

802.11n: 6.5 to 400Mbps (MCS0 to MCS15, HT20 to HT40, support 256-QAM modulation to achieve 400Mbps under 2.4GHz)

802.11ac: 6.5 to 867Mbps (MCS0 to MCS9, NSS=1 to 2, VHT20 to VHT80)

802.11ax (2.4GHz): -

802.11ax (5GHz): -

SU-MIMO Capability

2.4GHz: 2x2

5GHz: 2X2

MU-MIMO Capability

2.4GHz: 2x2

5GHz: 2X2

Modulation Type

802.11b: BPSK,QPSK, CCK

802.11a/g/n/ac: BPSK,QPSK, 16-QAM, 64-QAM, 256-QAM

802.11ax: -

Support frequency

2400-2483.5MHz, 5150-5250MHz, 5250-5350MHz, 5470-5725MHz, 5725-5850MHz*

Tx Beamforming

Yes

Antenna Specification

2.4GHz

2 x 5dBi (SMA Type)

5GHz

2 x 5dBi (SMA Type)

Physical Interfaces

Networking Ethernet Port

2 x 10/100/1000 BASE-T

DC-Input

-

Reset Button

Yes, proceed reset and reboot when pushing this button on the device.

Power Source and Consumption

Power over Ethernet (PoE)

Proprietary 24V

DC-Input

-

Power Consumption

PoE: Max. 15W

Mechanical Specification

Dimensions

192 x 114 x 48 mm

Weight

504 g

Environmental Specification

Operating Temperature

-20 to 60 °C

Storage Temperature

-40 to 80 °C

Storage Humidity

0 to 90% non-condensing

IP Rating

IP55

Surge Protection

L-L: 1KV

L-G: 2KV

ESD Protection

Air: 8KV

Mounting Method

Ceiling Mount

-

Wall Mount

Yes

Pole Mount

Yes

Regulatory Compliance and Certification

Regulatory Compliance

FCC, CE, IC, RCM, NCC

Safety Compliance

CB, UL, BSMI

Wi-Fi Alliance

Yes

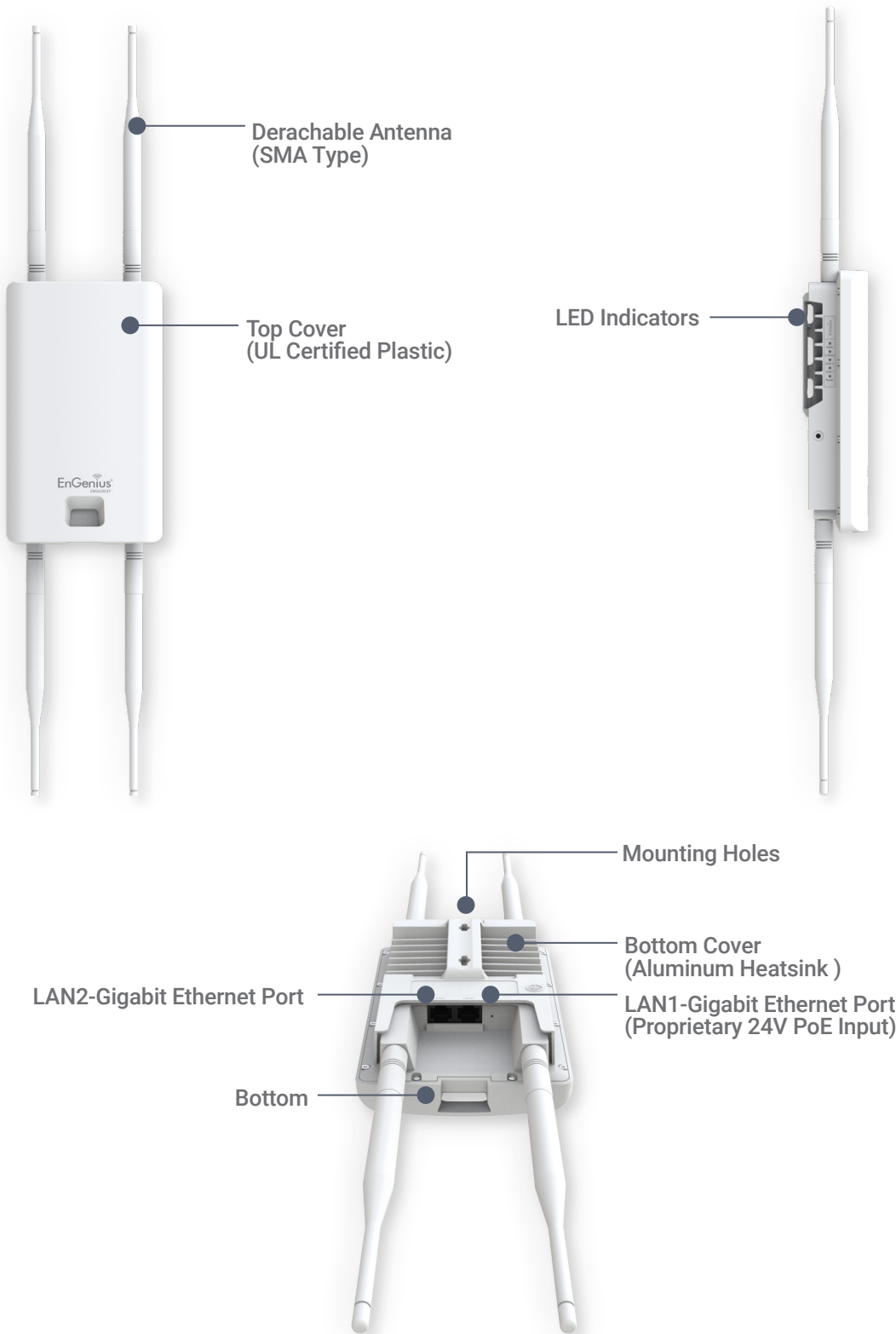
WEEE

Yes

RoHS

Yes

ENS620EXT Product Views



Specifications and Product Views

EnStation5-AC Specifications

Radio Specification

Wi-Fi Standards

802.11a/b/g/n/ac Wave 2

Tx Power (Aggregated)

2.4GHz: -

5GHz: Max. 26dBm*

Data Rate

802.11b: -

802.11a/g: 6, 9, 12, 18, 36, 48, 54Mbps

802.11n: 6.5 to 300Mbps (MCS0 to MCS15, HT20 to HT40)

802.11ac: 6.5 to 867Mbps (MCS0 to MCS9, NSS=1 to 2, VHT20 to VHT80)

802.11ax (2.4GHz): -

802.11ax (5GHz): -

SU-MIMO Capability

2.4GHz: 1x1 (management radio)

5GHz: 2x2

MU-MIMO Capability

2.4GHz: -

5GHz: 2x2

Modulation Type

802.11b: -

802.11a/g/n/ac: BPSK, QPSK, 16-QAM, 64-QAM, 256-QAM

802.11ax: -

Support frequency

2400-2483.5MHz, 5150-5250MHz, 5250-5350MHz, 5470-5725MHz, 5725-5850MHz*

Tx Beamforming

Yes

Antenna Specification

2.4GHz

-

5GHz

19dBi

Physical Interfaces

Networking Ethernet Port

2 x 10/100/1000 BASE-T

DC-Input

-

Reset Button

Yes, proceed reset and reboot when pushing this button on the device or included EPA2406GR PoE Adapter

Power Source and Consumption

Power over Ethernet (PoE)

Proprietary 24V

DC-Input

-

Power Consumption

PoE: Max. 8.93W

Mechanical Specification

Dimensions

Φ190 x 38 mm

Weight

460 g

Environmental Specification

Operating Temperature

-20 to 60 °C

Storage Temperature

-40 to 80 °C

Storage Humidity

0 to 90% non-condensing

IP Rating

IP55

Surge Protection

L-L: 1KV

L-G: 2KV

ESD Protection

Air: 8KV

Mounting Method

Ceiling Mount

-

Wall Mount

Yes

Pole Mount

Yes

Regulatory Compliance and Certification

Regulatory Compliance

FCC, CE, IC, NCC

Safety Compliance

CB, BSMI

Wi-Fi Alliance

-

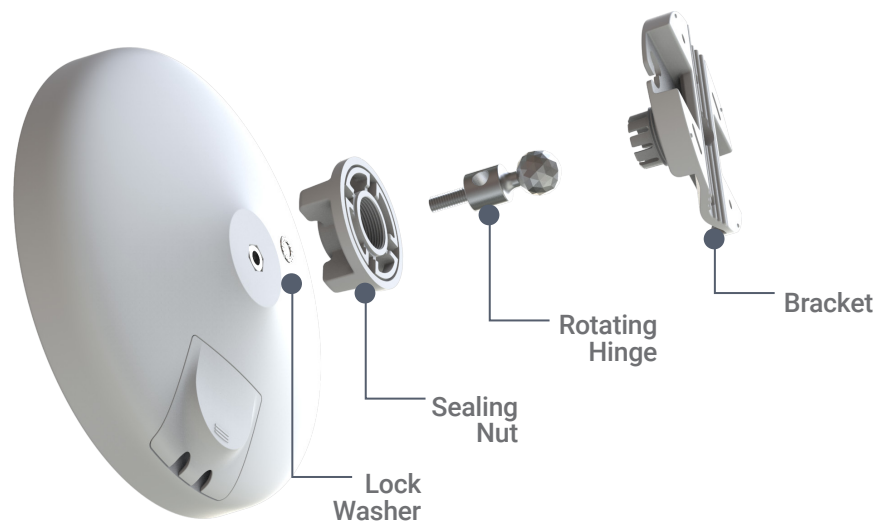
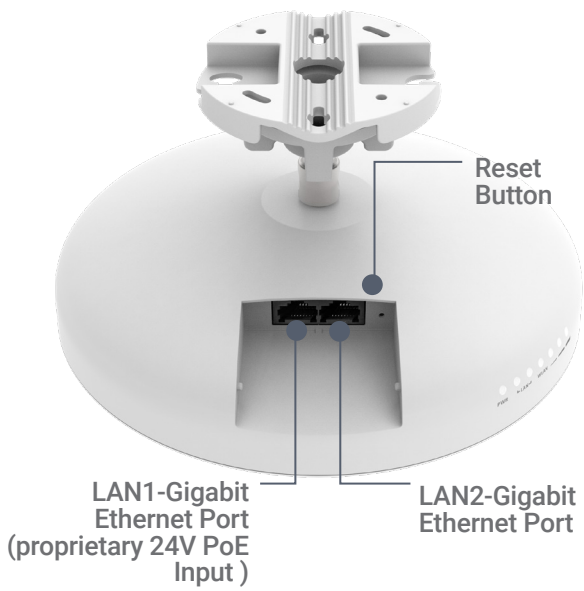
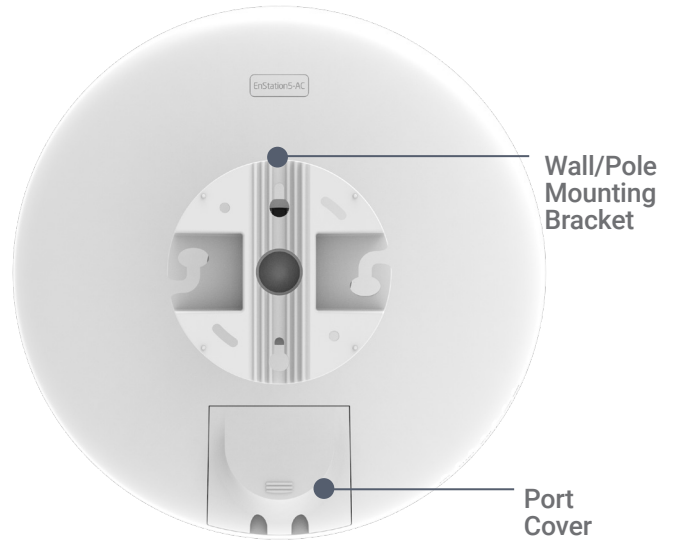
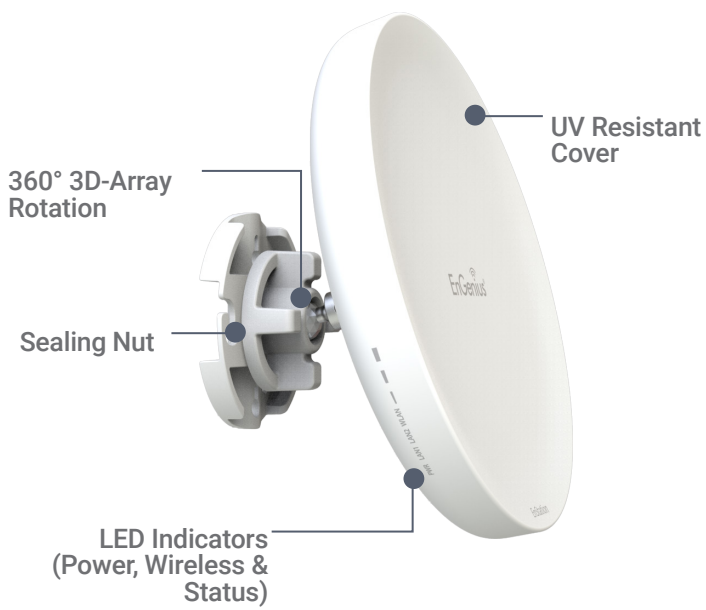
WEEE

Yes

RoHS

Yes

EnStation5-AC Product Views



Specifications and Product Views

EnStationAC Specifications

Radio Specification

Wi-Fi Standards

802.11a/b/g/n/ac Wave 2

Tx Power (Aggregated)

2.4GHz: -

5GHz: Max. 26dBm*

Data Rate

802.11b: -

802.11a/g: 6, 9, 12, 18, 36, 48, 54Mbps

802.11n: 6.5 to 300Mbps (MCS0 to MCS15, HT20 to HT40)

802.11ac: 6.5 to 867Mbps (MCS0 to MCS9, NSS=1 to 2, VHT20 to VHT80)

802.11ax (2.4GHz): -

802.11ax (5GHz): -

SU-MIMO Capability

2.4GHz: 1x1 (management radio)

5GHz: 2x2

MU-MIMO Capability

2.4GHz: -

5GHz: 2x2

Modulation Type

802.11b: -

802.11a/g/n/ac: BPSK,QPSK, 16-QAM, 64-QAM, 256-QAM

802.11ax: -

Support frequency

2400-2483.5MHz, 5150-5250MHz, 5250-5350MHz, 5470-5725MHz, 5725-5850MHz*

Tx Beamforming

Yes

Antenna Specification

2.4GHz

-

5GHz

Directional 19dBi

Physical Interfaces

Networking Ethernet Port

2 x 10/100/1000 BASE-T

DC-Input

-

Reset Button

Yes, proceed reset and reboot when pushing this button on the device or included EPA5006GR PoE Adapter

Power Source and Consumption

Power over Ethernet (PoE)

PoE: 802.3af/at

DC-Input

-

Power Consumption

PoE: Max. 8.93W ; PoE+PSE: Max. 24.33W

Mechanical Specification

Dimensions

Φ190 x 38 mm

Weight

460 g

Environmental Specification

Operating Temperature

-20 to 60 °C

Storage Temperature

-40 to 80 °C

Storage Humidity

0 to 90% non-condensing

IP Rating

IP55

Surge Protection

L-L: 1KV

L-G: 2KV

ESD Protection

Air: 8KV

Mounting Method

Ceiling Mount

-

Wall Mount

Yes

Pole Mount

Yes

Regulatory Compliance and Certification

Regulatory Compliance

FCC, CE, IC

Safety Compliance

CB

Wi-Fi Alliance

-

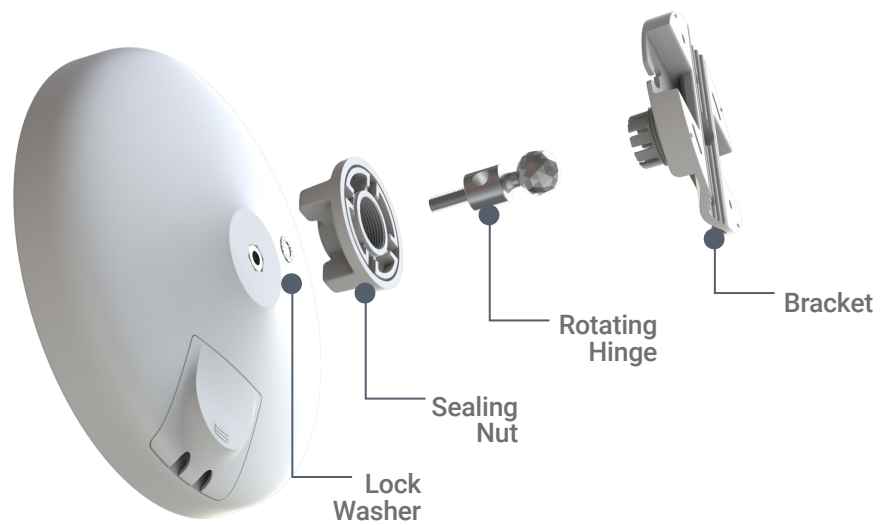
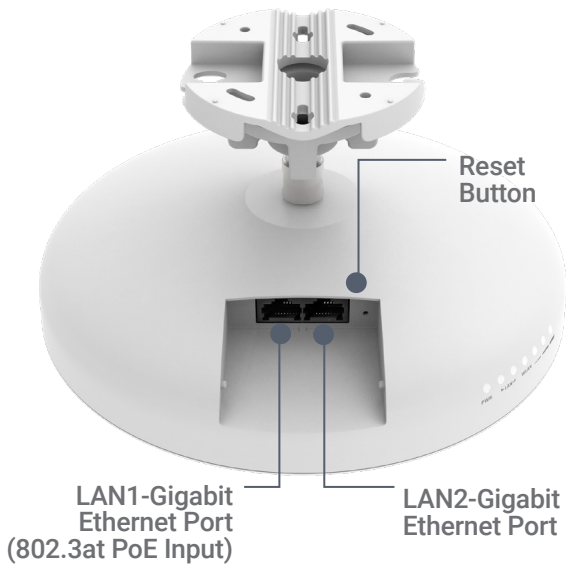
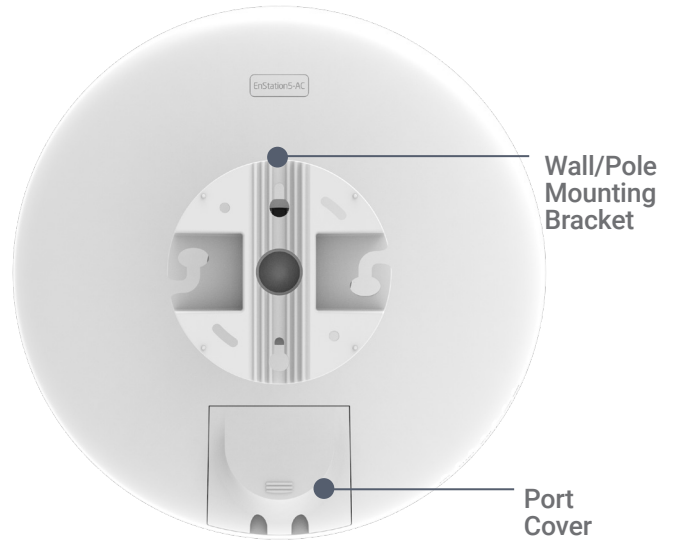
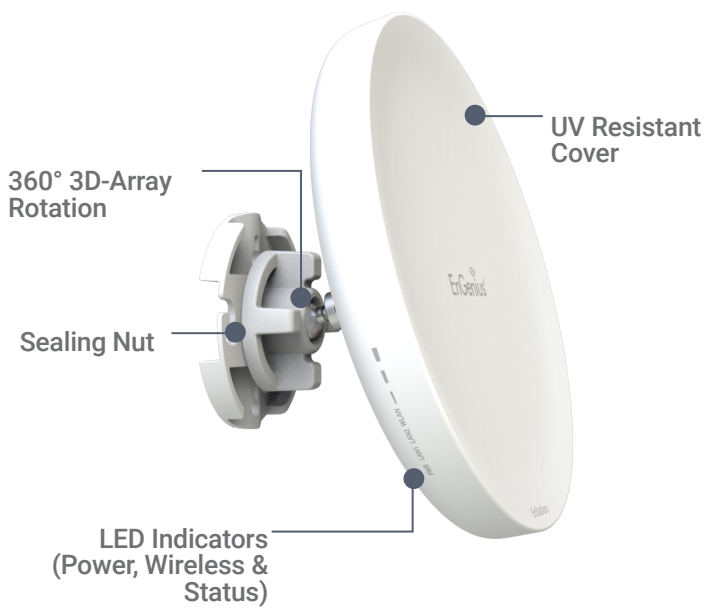
WEEE

Yes

RoHS

Yes

EnStationAC Product Views



Specifications and Product Views

ENH500-AX Specifications

Technical Specifications

Standards

802.11a/n/ac/ax

Antenna - 5GHz

16dBi

Physical Interfaces

1 x 10/100/1000 BASE-T(Proprietary PoE)

1 x 10/100/1000 BASE-T

Proceed reset and reboot when pushing this button

LED indicators

1 x Power

1 x LAN

1 x WLAN

3 x Signal

Power Source

Proprietary 54V (EPA5006GR)

Maximum Power Consumption

PoE: Max. 13W

Wireless & Radio Specifications

Operating Frequency

Single band 5 GHz

Operation Modes

AP/STA/WDS AP/WDS STA/Repeater

Frequency Radio

5 GHz: 5150 MHz ~ 5250 MHz, 5250 MHz ~ 5350 MHz, 5470 MHz ~ 5725 MHz, 5725 MHz ~ 5850 MHz

Transmit Power

26 dBm

Radio Chains

2 x 2:2

SU-MIMO

Two (2) spatial stream Single User (SU) MIMO for up to 1,200 Mbps wireless data rate with VHT80 to a 2x2 wireless device under the 5GHz radio.

MU-MIMO

Two (2) spatial streams Multiple (MU)-MIMO up to 1,200 Mbps wireless data rate for transmitting to two (2) streams MU-MIMO 11ax capable wireless client devices under 5GHz simultaneously.

Supported Data Rates

802.11ax: 5 GHz: 18 to 1200 (MCS0 to MCS11, NSS = 1 to 2)

802.11b: 1, 2, 5.5, 11

802.11a/g: 6, 9, 12, 18, 36, 48, 54

802.11n: 6.5 to 300 Mbps (MCS0 to MCS15)

802.11ac: 6.5 to 867 Mbps (MCS0 to MCS9, NSS = 1 to 2)

Supported Radio Technology

802.11ax: Orthogonal Frequency Division Multiple Access(OFDMA)

802.11a/g/n/ac: Orthogonal Frequency Division Multiple (OFDM)

802.11b: Direct-sequence spread-spectrum (DSSS)

Channelization

802.11ax supports high efficiency throughput (HE) –HE 20/40/80 MHz

802.11ac supports very high throughput (VHT) –VHT 20/40/80 MHz

802.11n supports high throughput (HT) –HT 20/40 MHz

802.11n supports high throughput under the 2.4GHz radio –HT40 MHz (256-QAM)

802.11n/ac/ax packet aggregation: A-MPDU, A-SPDU

Supported Modulation

802.11ax: BPSK, QPSK, 16-QAM, 64-QAM, 256-QAM, 1024-QAM

802.11ac: BPSK, QPSK, 16-QAM, 64-QAM, 256-QAM

802.11a/g/n: BPSK, QPSK, 16-QAM, 64-QAM

802.11b: BPSK, QPSK, CCK

Max Concurrent User

128 per radio

Environmental & Physical

Operating Temperature

-4°~140°F/-20°C~60°C

Storage Temperature

-40F°~176°F/-40°C~80°C

Storage Humidity

Storage: 90% or less

IP Rating(Outdoor only)

IP55

Surge Protection (Outdoor only)

1KV

ESD Protection(Outdoor only)

Contact: 4KV Air: 8 K

Dimensions & Weight

Weight

610g

Dimensions

260 x 84 x 55 mm

Package Contents

1 – ENH500-AX Outdoor CPE

1 – EPA5006GR with AC cord

2 – Pole-Mounting Brackets

1 – Wall-Mount Screw Set

1 – Quick Installation Guide

Compliance

Safety Compliance

CB

WEEE

Yes

RoHS

Yes

Regulatory Compliance

FCC

CE

IC

UCKA

ENH500-AX Product Views



Specifications and Product Views

EnStation6 Specifications

Technical Specifications

Standards

802.11a/n/ac/ax

Antenna - 5GHz

19dBi

Physical Interfaces

1 x 10/100/1000 BASE-T(Proprietary PoE)

1 x 10/100/1000 BASE-T

Proceed reset and reboot when pushing this button

LED indicators

1 x Power

1 x LAN

1 x WLAN

3 x Signal

Power Source

Proprietary 54V (EPA5006GR)

Maximum Power Consumption

PoE: Max. 11W

Wireless & Radio Specifications

Operating Frequency

Single band 5 GHz

Operation Modes

AP/STA/WDS AP/WDS STA/ Repeater

Frequency Radio

5 GHz: 5150 MHz ~ 5250 MHz, 5250 MHz ~ 5350 MHz, 5470 MHz ~ 5725 MHz, 5725 MHz ~ 5850 MHz

Transmit Power

26 dBm

Radio Chains

2 x 2:2

SU-MIMO

Two (2) spatial stream Single User (SU) MIMO for up to 1,200 Mbps wireless data rate with VHT80 to a 2x2 wireless device under the 5GHz radio.

MU-MIMO

Two (2) spatial streams Multiple (MU)-MIMO up to 1,200 Mbps wireless data rate for transmitting to two (2) streams MU-MIMO 11ax capable wireless client devices under 5GHz simultaneously.

Supported Data Rates

802.11ax: 5 GHz: 18 to 1200 (MCS0 to MCS11, NSS = 1 to 2)

802.11b: 1, 2, 5.5, 11

802.11a/g: 6, 9, 12, 18, 36, 48, 54

802.11n: 6.5 to 300 Mbps (MCS0 to MCS15)

802.11ac: 6.5 to 867 Mbps (MCS0 to MCS9, NSS = 1 to 2)

Supported Radio Technology

802.11ax: Orthogonal Frequency Division Multiple Access(OFDMA)

802.11a/g/n/ac: Orthogonal Frequency Division Multiple (OFDM)

802.11b: Direct-sequence spread-spectrum (DSSS)

Channelization

802.11ax supports high efficiency throughput (HE) –HE 20/40/80 MHz

802.11ac supports very high throughput (VHT) –VHT 20/40/80 MHz

802.11n supports high throughput (HT) –HT 20/40 MHz

802.11n supports high throughput under the 2.4GHz radio –HT40 MHz (256-QAM)

802.11n/ac/ax packet aggregation: A-MPDU, A-SPDU

Supported Modulation

802.11ax: BPSK, QPSK, 16-QAM, 64-QAM, 256-QAM, 1024-QAM

802.11ac: BPSK, QPSK, 16-QAM, 64-QAM, 256-QAM

802.11a/g/n: BPSK, QPSK, 16-QAM, 64-QAM

802.11b: BPSK, QPSK, CCK

Max Concurrent User

128 per radio

Environmental & Physical

Operating Temperature

-4°~140°F/-20°C~60°C

Storage Temperature

-40F°~176°F/-40°C~80°C

Storage Humidity

Storage: 90% or less

IP Rating(Outdoor only)

IP55

Surge Protection (Outdoor only)

1KV

ESD Protection(Outdoor only)

Contact: 4KV Air: 8 K

Dimensions & Weight

Dimensions

Φ190 x 38 mm

Package Contents

1 – EnStation6 Outdoor CPE

1 – EPA5006GR with AC cord

2 – Pole-Mounting Brackets

1 – Wall-Mount Screw Set

1 – Quick Installation Guide

Compliance

Safety Compliance

CB

WEEE

Yes

RoHS

Yes

Regulatory Compliance

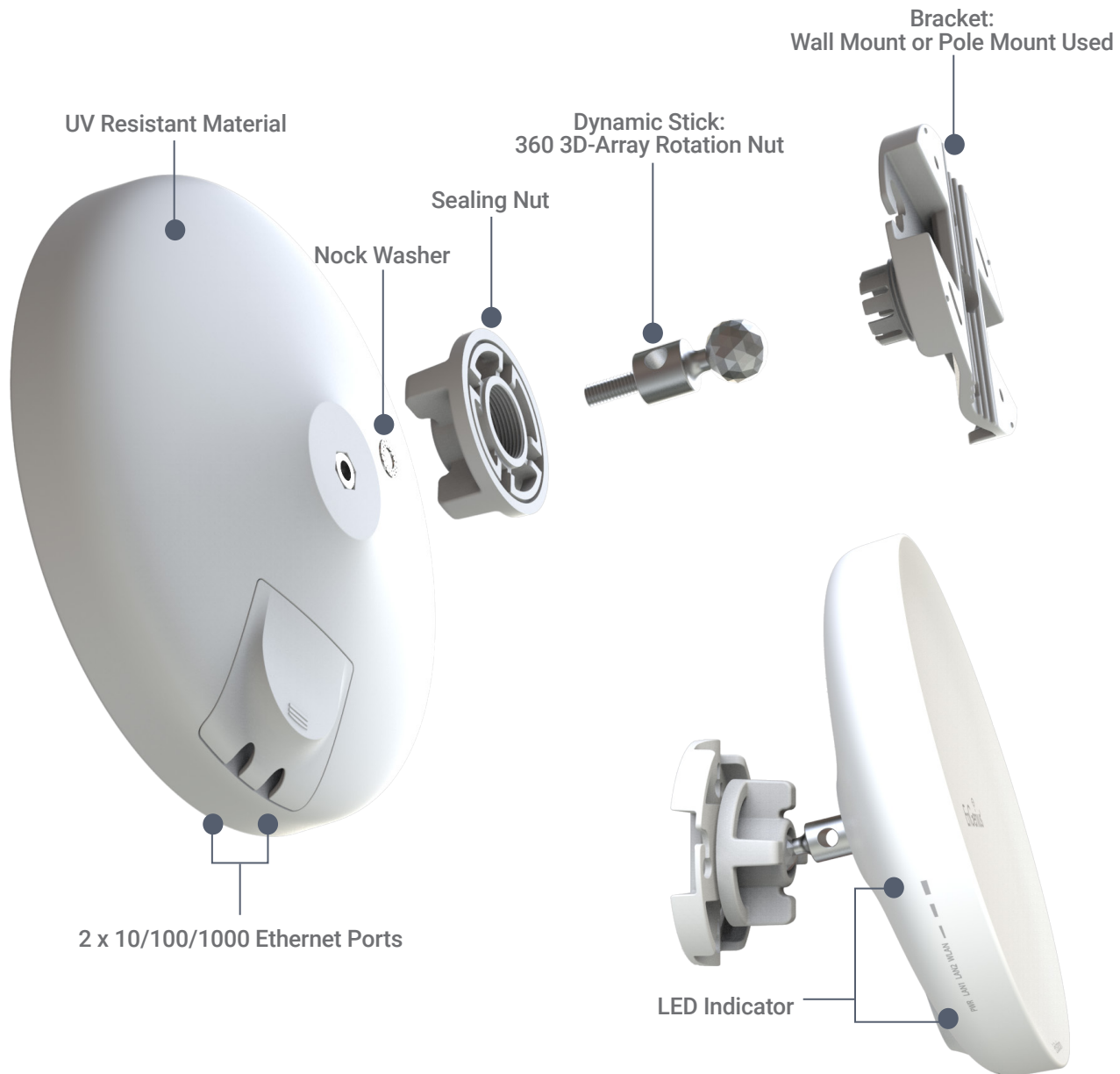
FCC

CE

IC

UCKA

EnStation6 Product Views



EnGenius Technologies | Costa Mesa, California, USA

Email: support@engeniustech.com
 Website: www.engeniustech.com
 Local contact: (+1) 714 432 8668

EnGenius Networks Singapore Pte Ltd. | Singapore

Email: techsupport@engeniustech.com.sg
 Website: www.engeniustech.com.sg
 Local contact: (+65) 6227 1088

EnGenius Technologies Canada | Ontario, Canada

Email: support@engeniustech.com
 Website: www.engeniustech.com
 Local contact: (+1) 905 940 8181

EnGenius Networks Dubai | Dubai, UAE

Email: support@engeniustech.com
 Website: www.engeniustech.com
 Local contact: (+971) 4 339 1227

EnGenius Networks Europe B.V. | Eindhoven, Netherlands

Email: support@engeniustech.com
 Website: www.engeniustech.com
 Local contact: (+31) 40 8200 887

恩碩科技股份有限公司 | Taiwan, R.O.C.

Email: sales@engeniustech.com.tw
 Website: www.engeniustech.com.tw
 Local contact: (+886) 933 250 628

Features and specifications subject to change without notice. Trademarks and registered trademarks are the property of their respective owners. These limits are designed to provide reasonable protection against harmful interference in a residential installation. This equipment generates, uses, and can radiate radio frequency energy and, if not installed and used in accordance with the instructions, may cause harmful interference to radio communications. Operation of this equipment in a residential area is likely to cause harmful interference in which case the user will be required to correct the interference at his/her own expense. Prior to installing any surveillance equipment, it is your responsibility to ensure the installation is in compliance with local, state and federal video and audio surveillance and privacy laws.

Version 1.0 10/ 11/ 2023

EnGenius