

500 SERIES

Weldable Vertical Hold Down Clamps | Product Overview

Features:

- Hardened pivot pins and bushings
- Weldable clamping bar
- LSC version with locking spring clip for securing the handle in the open position
- Modular design allows you to set up the clamp to meet application requirements

Applications:

- Welding
- Assembly
- Heavy duty, production clamping applications

Also Available:

See page MC-VHD-44 for accessories

503-MB
Swivel Base



503-MLB
Long Base



503-MBLSC ⓘ
Swivel Base
with Locking
Spring Clip



503-MLBLS ⓘ
Long Base
with Locking
Spring Clip



505-MB
Swivel Base



505-MLB
Long Base



505-MBLSC ⓘ
Swivel Base
with Locking
Spring Clip



505-MLBLS ⓘ
Long Base
with Locking
Spring Clip



506-MB
Swivel Base



506-MLB ⓘ
Long Base



506-MBLSC ⓘ
Swivel Base
with Locking
Spring Clip

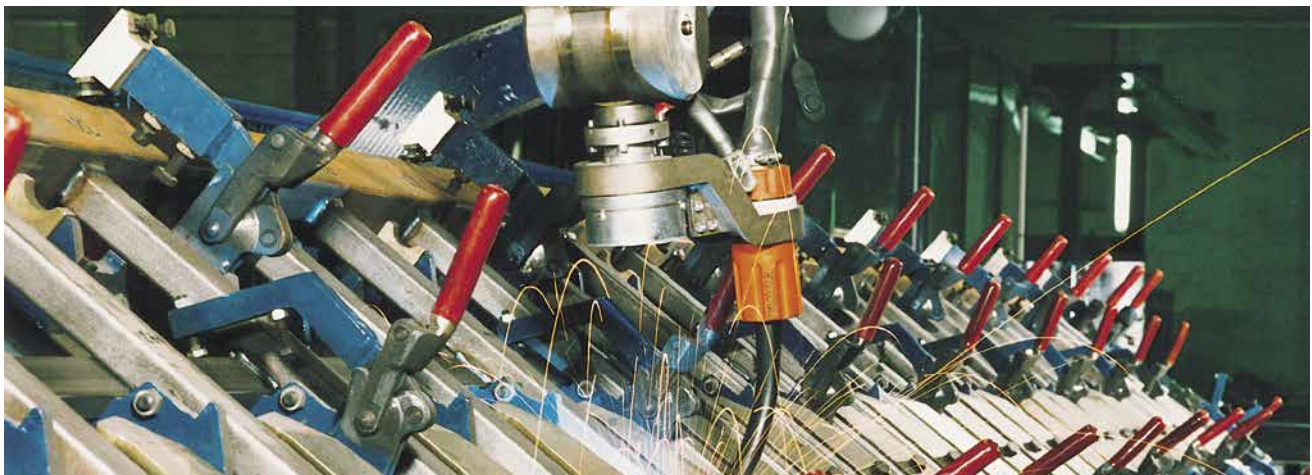


506-MLBLS ⓘ
Long Base
with Locking
Spring Clip



Model 505-MLB in a robotic welding fixture

ⓘ This item is available upon request



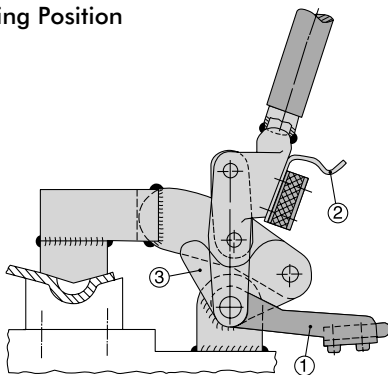
Model	Max. Holding Capacity	Clamp Bar Opening (+10°)	Weight
503-MB	7000 N [1575 lbf]	200°	0,70kg [1.54lbs]
503-MLB			0,80kg [1.76lbs]
503-MBLSC ⓘ			0,90kg [1.98lbs]
505-MB	11000 N [2475 lbf]		1,40kg [3.09lbs]
505-MLB			1,50kg [3.31lbs]
505-MBLSC ⓘ			1,60kg [3.53lbs]
506-MB	22500 N [5060 lbf]		2,60kg [5.73lbs]
506-MLB ⓘ			2,80kg [6.17lbs]
506-MBLSC ⓘ			3,00kg [6.61lbs]
506-MLBLSC ⓘ			

Note:

The clamping bars are made from forged alloy steel and must be heated to 200°C(400°F) prior to welding. We recommend welding the handles, clamp arms, and mounting bases when disassembled. Welding of non pre-heated parts may only be done with the addition of welding fillers.

ⓘ This item is available upon request

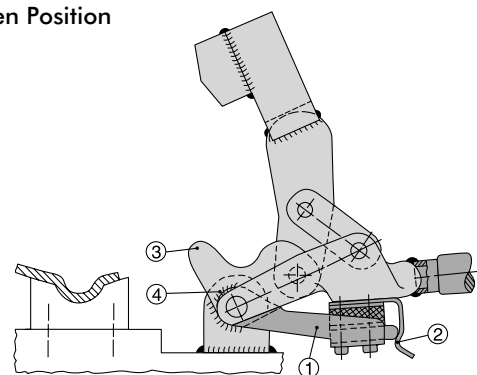
Clamping Position



Patented spring latch hold-open device

1. Mount the clamp and place it in the closed position
2. Position the bracket in the leaf spring

Open Position

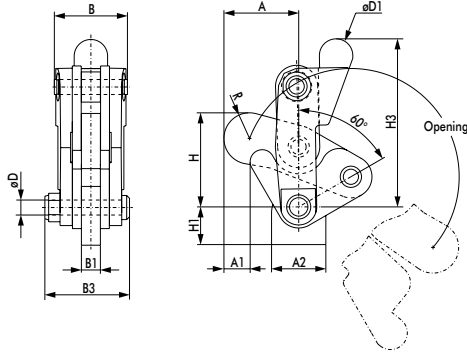


3. Swivel the clamp into the open position
4. In this position, weld the bracket with the bar guide feature at point

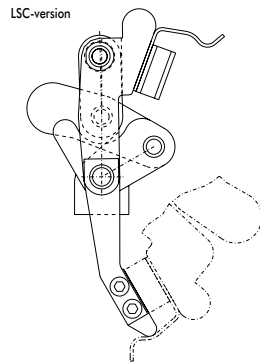
500 SERIES

Weldable Vertical Hold Down Clamps | Dimensions | -B/-LB/-MB/-MLB/-MBLSC/-MLBLSC

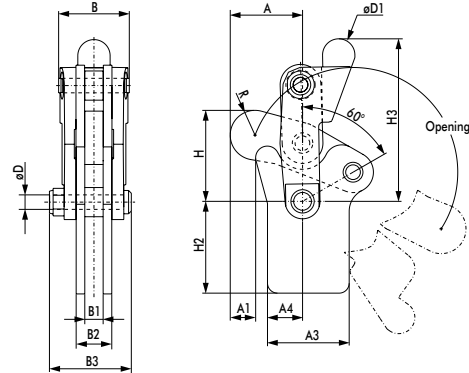
Swivel Base



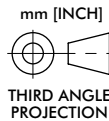
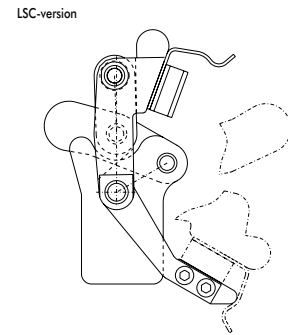
503-MB
Swivel Base



Long Base



503-MLB
Long Base



Swivel Base Dimensions

Model	A	A1	A2	B	B1	B3	ØD	ØD1	H	H1	H3	R
503-MB	[1.54]	[0.50]	[1.12]	[1.52]	[0.39]	[1.82]	[0.31]	[0.69]	[1.96]		[3.51]	[0.53]
503-MBLSC ⓘ	39,2	12,8	28,5	38,5	10	46,2	8	17,5	49,8		89,1	13,5
505-MB	[2.22]	[1.02]	[1.38]	[1.89]	[0.48]	[2.31]	[0.37]	[0.87]	[2.79]	[1.10]	[4.33]	[0.72]
505-MBLSC ⓘ	56,5	25,9	35	48	12,3	58,6	9,5	22,2	70,8	28	110,1	18,3
506-MB	[2.82]	[1.27]	[1.97]	[1.91]	[0.63]	[2.72]	[0.47]	[0.94]	[3.45]	[1.29]	[5.30]	[0.84]
506-MBLSC ⓘ	71,7	32,3	50	48,4	16	69	12	24	87,7	32,8	134,6	21,4

Long Base Dimensions

Model	A	A1	A3	A4	B	B1	B2	B3	ØD	ØD1	H	H2	H3	R
503-MLB	[1.54]		[1.75]	[0.75]	[1.52]	[0.39]	[0.79]	[1.82]	[0.31]	[0.69]	[1.96]	[1.97]	[3.51]	[0.53]
503-MLBLSC ⓘ	39,2		44,5	19	38,5	10	20	46,2	8	17,5	49,8	50	89,1	13,5
505-MLB	[2.22]	[1.02]	[2.09]	[1.08]	[1.89]	[0.48]	[0.88]	[2.31]	[0.37]	[0.87]	[2.79]	[2.50]	[4.33]	[0.72]
505-MLBLSC ⓘ	56,5	25,9	53	27,5	48	12,3	22,3	58,6	9,5	22,2	70,8	63,5	110,1	18,3
506-MLB	[2.82]	[1.27]	[2.58]	[1.45]	[1.91]	[0.63]	[1.10]	[2.72]	[0.47]	[0.94]	[3.45]	[3.00]	[5.30]	[0.84]
506-MLBLSC ⓘ	71,7	32,3	65,5	36,9	48,4	16	28	69	12	24	87,7	76,2	134,6	21,4

Features:

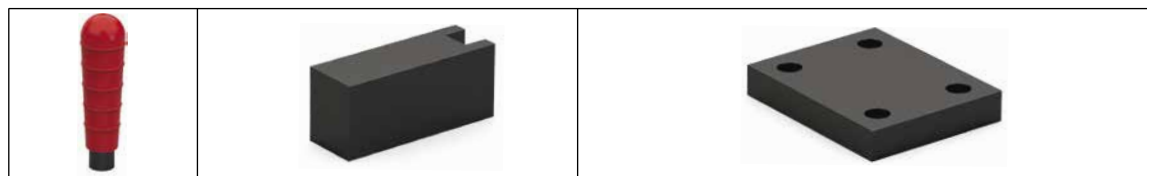
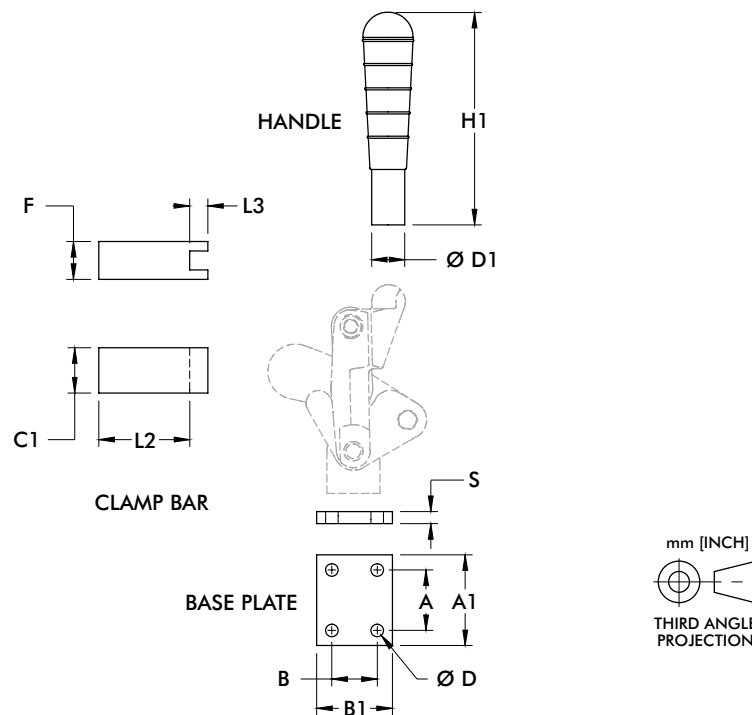
- Used with 500 Series Vertical Clamps
- Allows you to customize the clamp to suit application requirements

Applications:

- Welding
- Assembly
- Heavy duty, production clamping applications

Also Available:

See page MC-VHD-41 for clamp linkage



Use with	Part No.	Handle		Clamping Bar				Base Plate					
		ØD1	H1	C1	F	L2	L3	A	A1	B	B1	ØD	S
503	503503-L	Ø18	129.5	-	-	-	-	-	-	-	-	-	-
	503501	-	-	25	20	50	8	-	-	-	-	-	-
	503502	-	-	-	-	-	-	25	40	35	50	6.3	8
505	505503-L	Ø22	159	-	-	-	-	-	-	-	-	-	-
	505501	-	-	30	25	60	12	-	-	-	-	-	-
	505502	-	-	-	-	-	-	40	60	30	50	8.1	8
506	506503-L	Ø28	188	-	-	-	-	-	-	-	-	-	-
	506501	-	-	35	30	75	15	-	-	-	-	-	-
	506502	-	-	-	-	-	-	50	70	45	65	8.1	8

ⓘ This item is available upon request Note: Dimensions shown in millimeters.