

The CyberData InformaCast Enabled Outdoor Intercom can receive InformaCast notification messages, deliver two-way communication and provide secure access control for your VoIP phone system. These devices are perfect for a multitude of settings such as commercial or residential facilities, schools and universities, retail establishments, warehouses, manufacturing plants, parking garages, shipyards, and so much more.

InformaCast Features

- Capable of receiving Singlewire InformaCast notification messages
- Compatible with Singlewire InformaCast v12.1, including support for downloading SIP credentials from InformaCast
- Supports Singlewire InformaCast High Quality Audio

Standard Features

- Full duplex audio with enhanced acoustic echo cancelling
- Half duplex push-to-talk audio from the phone side using the phone's keypad or from the intercom side using the call button
- Simultaneous SIP and multicast
- Supports user-uploadable ring and alert tones
- Loud/Night Ringer function - second SIP extension
- Can receive pages directly from Poly phones as well as other devices that send standard multicast
- DTMF-controlled dry relay contact for auxiliary control
- Door closure and tamper alert signal
- Network volume control
- Supports Outdoor Auxiliary Strobe Kit for IP66-rated outdoor visual notification
- TLS 1.2 and SRTP enhanced security for IP endpoints in a local or cloud-based environment
- Autoprovisioning via HTTP, HTTPS, or TFTP
- HTTPS or HTTP web based configuration. HTTPS is enabled by default.
- Configurable event generation for device health and status monitoring
- 802.11q VLAN tagging
- Web-based upgradeable firmware
- Support for Cisco SRST resiliency

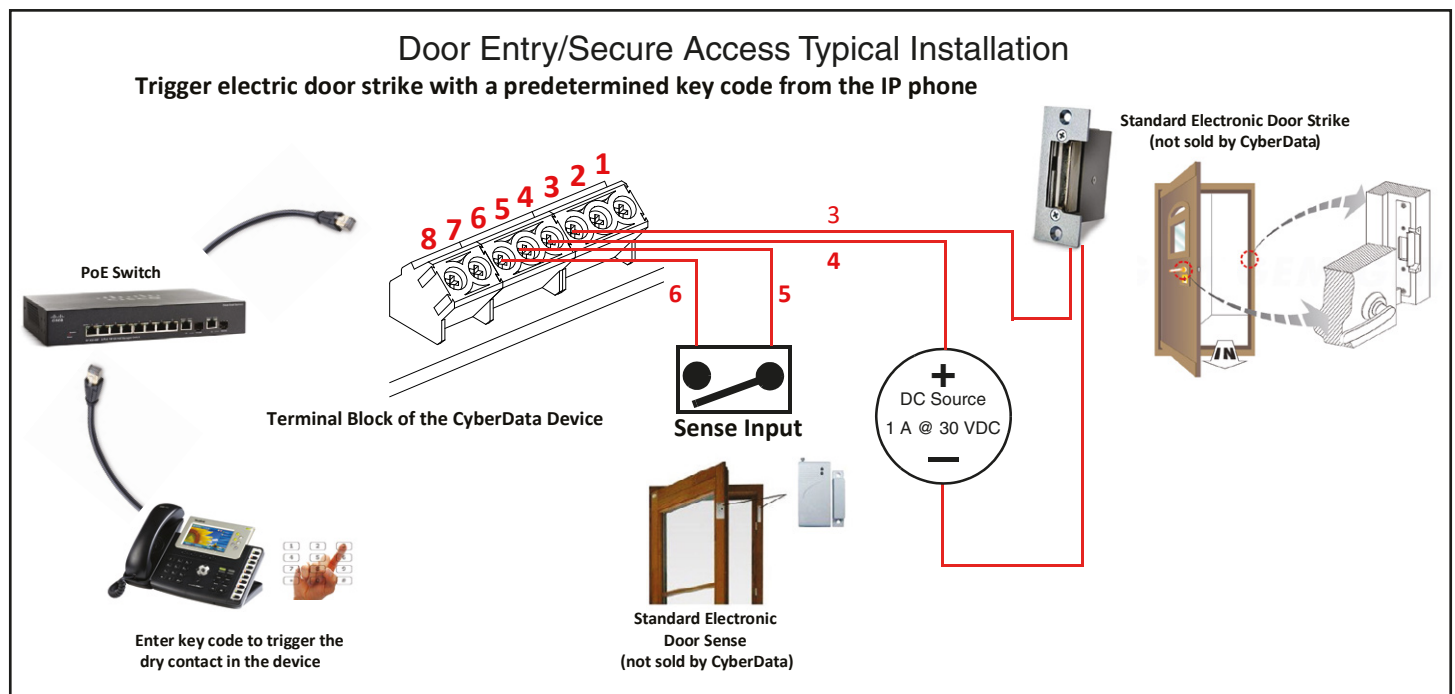
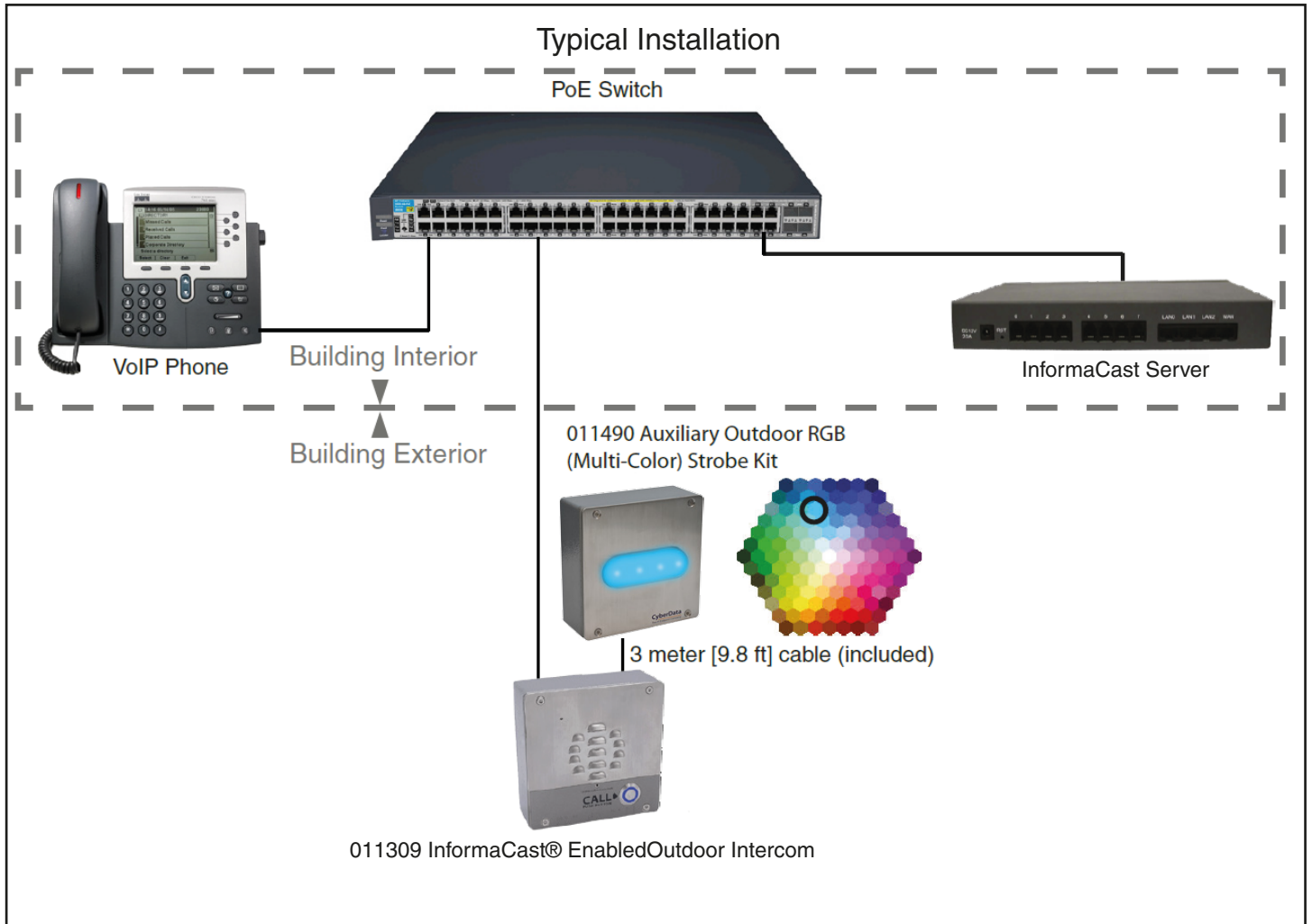


Specifications

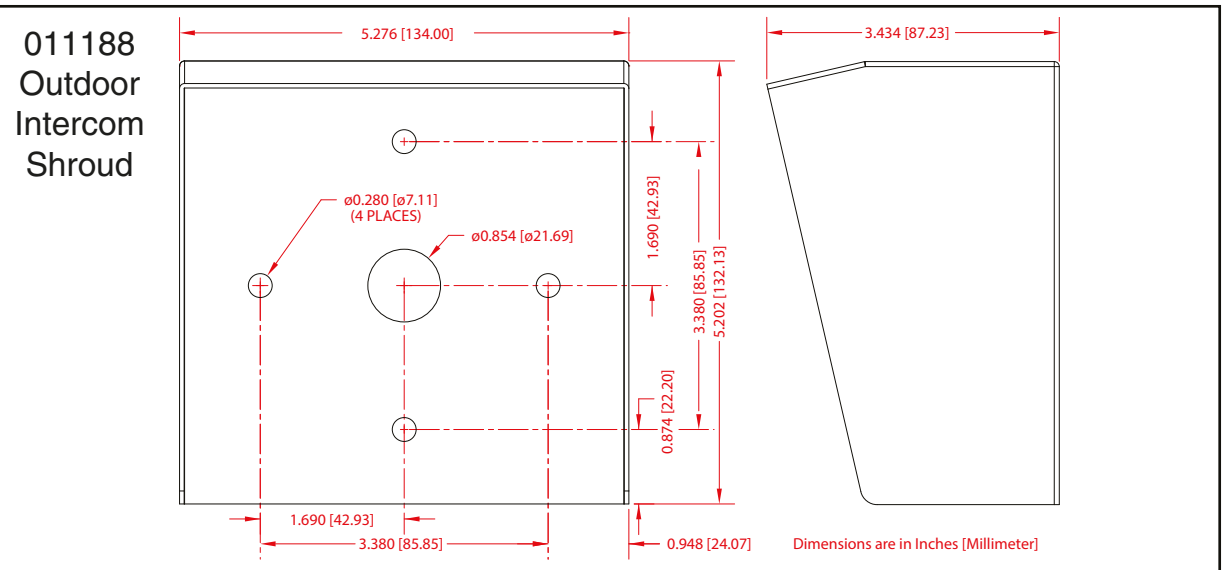
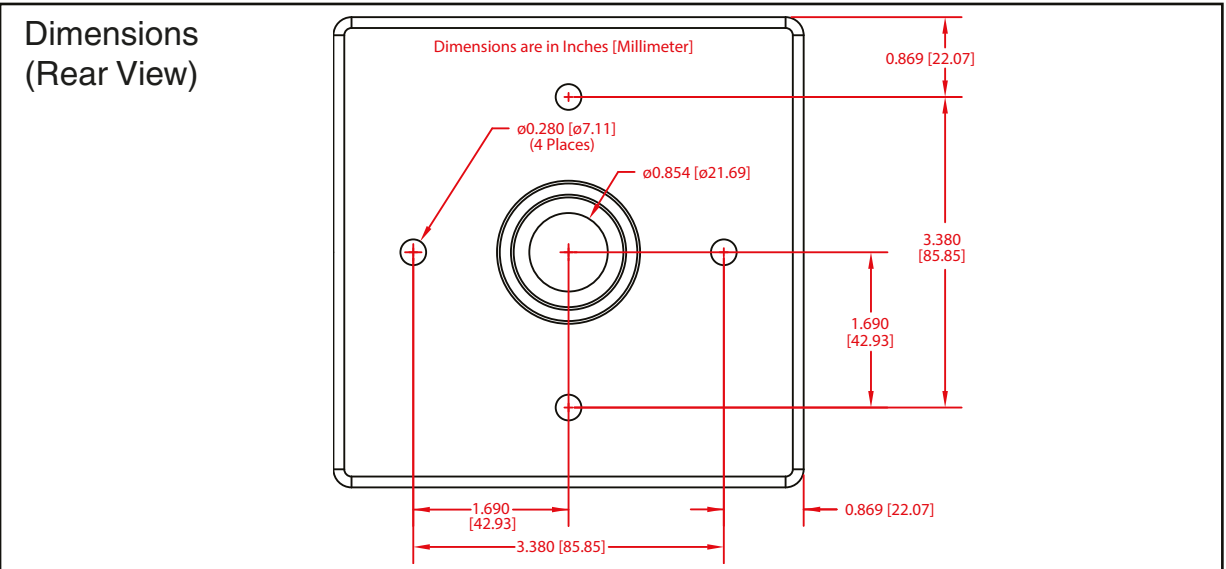
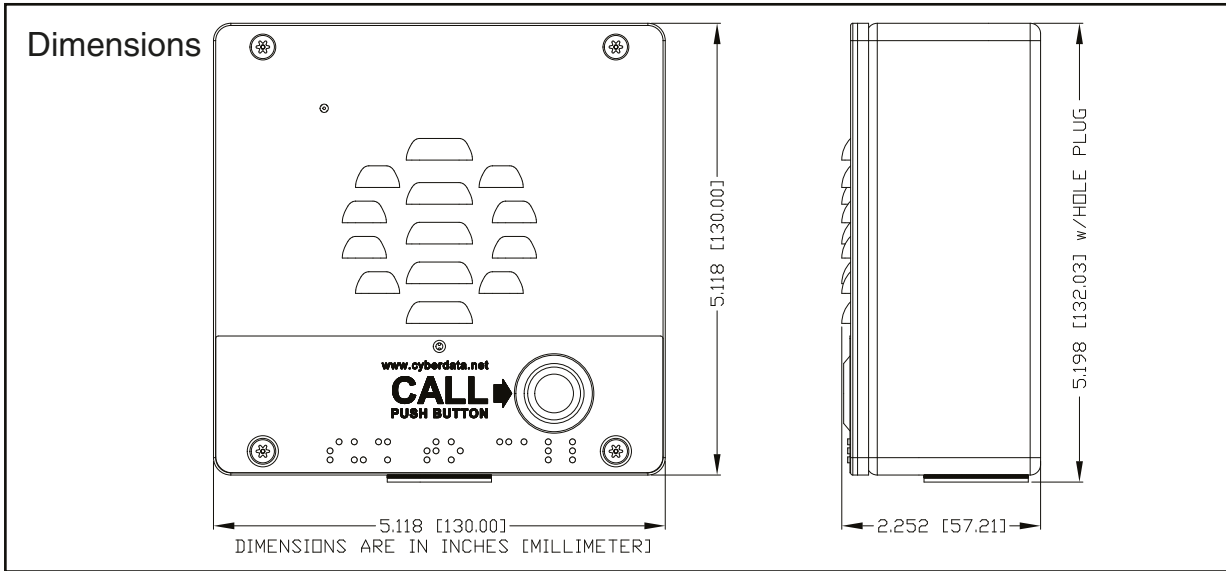
Ethernet I/F	10/100 Mbps
Protocol	SIP RFC 3261 Compatible
Notification Software	Singlewire InformaCast v4.0 and above
Power Input	PoE 802.3af compliant or +8 to +12VDC @ 1000mA Regulated Power Supply (not included)
Audio Output (Max)	802.3af: 86dB @ 1 meter
Power Rating (Max)	802.3af: 5-Watts
On-Board Relay	1A @ 30 VDC
Payload Types	G.711 a-law, G.711 μ-law, G.722, and G.729
Network Security	TLS 1.2, SRTP, HTTPS
IP Rating	IP65
Operating Range	Temperature: -40° C to 55° C (-40° F to 131° F) Humidity: 5-95%, non-condensing
Storage Temperature	Temperature: -40° C to 70° C (-40° F to 158° F)
Storage Altitude	Up to 15,000 ft. (4573 m)
Dimensions*	5.118 inches [130 mm] Length 2.252 inches [57.21 mm] Width 5.118 inches [130 mm] Height
Weight	2.0 lbs. [0.90 kg]
Boxed Weight	3.0 lbs. [1.36 kg]
Compliance	CE: EMC Directive – Class A EN 55032 & EN 55024, LV Safety Directive EN 62368-1; RoHS Compliant; FCC Part 15 Class; Industry Canada ICES-3 Class A; IEEE 802.3 Compliant; TAA Compliant
Warranty	2 Years Limited
Part Number	011309

*Dimensions are measured from the perspective of the product being upright with the front of the product facing you.

InformaCast® Enabled Outdoor Intercom



InformaCast® Enabled Outdoor Intercom



InformaCast® Enabled Outdoor Intercom

Intercom In Use



Related Products:



011375 Network Dual Door Strike Relay



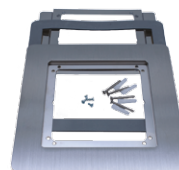
011269 Door Strike Intermediate Relay Module



011490 Outdoor Auxiliary RGB (Multi-Color) Strobe Kit



011188 Outdoor Intercom Shroud



011443 Flush Mount Kit, 1X