



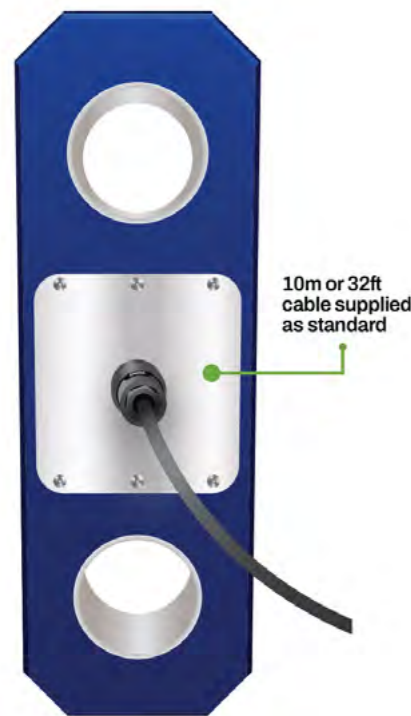
The Wirelink plus is the non-indicating version of Crosby Straightpoint's very popular Radiolink Plus and Loadlink plus digital dynamometer tension load cells. This non-indicating Loadlink is designed for use with Crosby Straightpoint's Handheld Plus digital display.

Manufactured from aerospace grade aluminium, utilising an advanced internal design structure, this range of non-indicating load cells are extremely lightweight, easy to handle and are used worldwide in an array of industries for lifting, pulling, proof and structural load testing.

The extremely versatile platform can be used with digital displays, including the Crosby Straightpoint Handheld Plus, PLCs, data acquisition systems (DAQ) etc. They are configured with a vast array of output formats to include mV/V, RS-422, RS-485, utilising the ASCII, MODBUS RTU and CAN-BUS protocols.

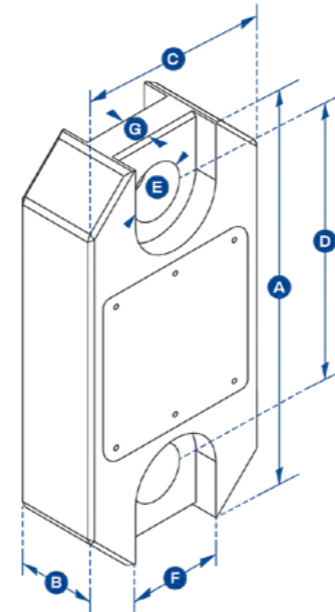
A standard analogue output option is available to include:
 3 wire 0-10v
 3 wire 0-5v
 4 wire +/-10v
 3 wire 4-20mA
 2 wire 4-20mA

The Wirelink plus is supplied with a 10-metre cable as standard, however, usable cable length varies greatly with lengths available to 1,500 metres depending on output format.



FEATURES AND BENEFITS

- Constructed of lightweight aluminium
- Available in capacities ranging from 1 to 300 tonnes
- High accuracy
- Multiple output options to include mV/V, analogue out, ASCII, MODBUS RTU and CAN-BUS
- Available with IP68 environmental protection
- Options for subsea use available
- 2-year warranty
- DNV-GL Type Approval
- Complies with ASME B30.26



SP Model	WLP1T	WLP2T5	WLP6T5	WLP12T	WLP25T	WLP35T	WLP55T	WLP75T	WLP100T	WLP150T	WLP200T	WLP250T	WLP300T
Crosby Part	2789154	2789158	2789273	2789152	2789157	2789160	2789269	2789161	2789151	2789153	2789155	2789156	2789159
Capacity	1,000 kg 2,200 lb	2.5 te 5,500 lb	6.5 te 14,300 lb	12 te 26,000 lb	25 te 55,000 lb	35 te 77,000 lb	55 te 120,000 lb	75 te 165,000 lb	100 te 220,000 lb	150 te 330,000 lb	200 te 440,000 lb	250 te 550,000 lb	300 te 660,000 lb
Resolution	0.5 kg 1 lb	0.001 te 2 lb	0.001 te 2 lb	0.002 te 5 lb	0.005 te 10 lb	0.005 te 10 lb	0.01 te 20 lb	0.01 te 20 lb	0.05 te 100 lb	0.05 te 100 lb	0.1 te 200 lb	0.1 te 200 lb	0.1 te 200 lb
Weight	1.5 kg 3.3 lb	1.5 kg 3.3 lb	2.4 kg 5.3 lb	3.7 kg 8.2 lb	5 kg 11 lb	8.6 kg 19 lb	13 kg 28.7 lb	16 kg 35.3 lb	34 kg 75 lb	46 kg 101.4 lb	82 kg 180.8 lb	82 kg 180.8 lb	118 kg 260 lb
Safety Factor	12.1	7:1	7:1	7:1	5:1	5:1	5:1	5:1	5:1	4:1	5:1	4:1	5:1
Protection	IP67 / NEMA6												
Operating Temp	-10 to +50 °C / 14 to 122°F												
Accuracy	+/- 0.1% FS												
Dimension A	204 8.03	204 8.03	249 9.80	305 12.01	340 13.39	393 15.47	424 16.69	470 18.50	608 23.94	670 26.38	700 27.56	700 27.56	806 31.73
Dimension B	43 1.69	43 1.69	43 1.69	47 1.85	60 2.36	75 2.95	75 2.95	75 2.95	99 3.90	99 3.90	144 5.67	144 5.67	150 5.91
Dimension C	104 4.09	104 4.09	113 4.45	113 4.45	115 4.53	126 4.96	180 7.09	202 7.95	255 10.04	303 11.93	350 13.78	350 13.78	426 16.77
Dimension D	146 5.75	146 5.75	165 6.50	193 7.60	215 8.46	225 8.86	230 9.06	260 10.24	320 12.60	360 14.17	350 13.78	350 13.78	350 13.78
Dimension ØE	24.5 0.96	24.5 0.96	38 1.50	47.5 1.87	55 2.17	60 2.36	76 2.99	76 2.99	109 4.29	109 4.29	145 5.71	145 5.71	160 6.30
Dimension F	48 1.89	48 1.89	65 2.60	Not relevant in this capacity									
Dimension G	19 0.75	19 0.75	32 1.26	Not relevant in this capacity									
Crosby Shackle	G2130	G2130	G2130	G2130	G2130	G2130	G2140	G2140	G2140	G2140	G2140	G2140	G2140
Loading Pin Ø	19 3/4 in	19 3/4 in	25 1 in	35 1 3/8 in	51 2 in	57 2 1/4 in	57 2 1/4 in	70 2 3/4 in	83 3 1/4 in	95 3 3/4 in	121 4 3/4 in	127 5 in	152 6 in



sales.sp@kitocrosby.com



Part Number	ICA1	ICA2	ICA3	ICA4	ICA5
Crosby Part	2789220	2789221	2789222	2789223	2789224
Description	3 wire 0-10v analogue output	3 wire 0-5v analogue output	4 wire +/- 10v analogue output	3 wire 4-20mA analogue output	2 wire 4-20mA analogue output