



canfield
connector



GT 2 PIN SERIES
RECEPTACLE AND PLUG
MOLDED
CONNECTORS

GENERAL DESCRIPTION

The GatorMate™ GT Series molded Receptacle and Plug mobile connectors by Canfield Connector have all the positive attributes of the basic Deutsch style but enhance the wired section of the connectors accommodating a molded-jacketed cable with added features of indicator lights. These rugged connectors feature an IP67 rating and are shock, vibration, moisture and dust resistant. The compact robust design allows the user the ability to see power applied and holds transient voltage/ current within the connector. The GT Series is available with many wire styles and lengths and boasts high durability factors and application versatility and is available in either the Receptacle or Plug style versions. Cables available are the well-known Canfield Connector flooded jacketed cable. Canfield Connector offers any version of the GT Series connector with special wires including high flex, media compatible wire, special use wire, or high temperature wire on request and is proudly made in the U.S.A.

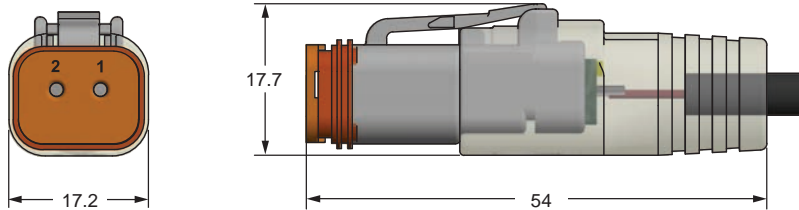


Lighted Plug version shown above

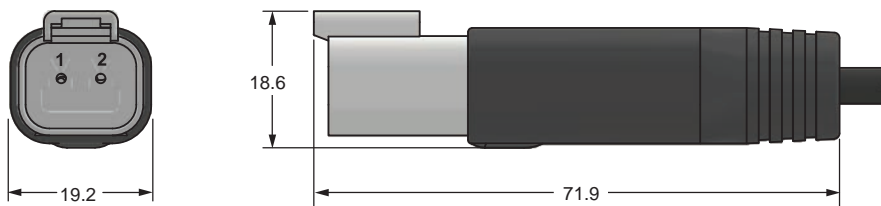
DIMENSIONAL DATA

All dimensions are in millimeters unless otherwise noted.

PLUG



RECEPTACLE



TECHNICAL DATA

Current Max.	10 Amps (1 Amp Max / 0.005 Amp Min - Lighting Option 2)
Voltage Max.	120 VAC 50/60 Hz, 250 VDC
Voltage Drop	3 Volts Max. (Lighting Option 2 only)
Materials	Housing: Thermoplastic Contacts: Brass, Nickel Plating Overmold: TPU
Temperature Range	-20° to +80°C
Environmental Protection	IP67, IP69, IP69K (Securely connected)
Cable Diameter	0.190
Cable Conductor Colors	Brown / Blue (Others available on request)
Cable Type	PVC or PUR; Black
Wire Gauge	18 AWG
Number of Contacts	2 connections

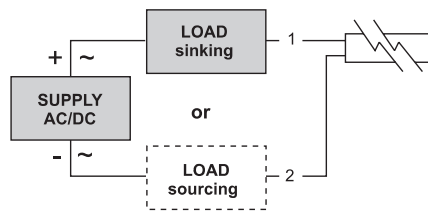
NOTE: Slight discoloration may occur to translucent material after prolonged exposure to UV rays.

WIRING INFORMATION

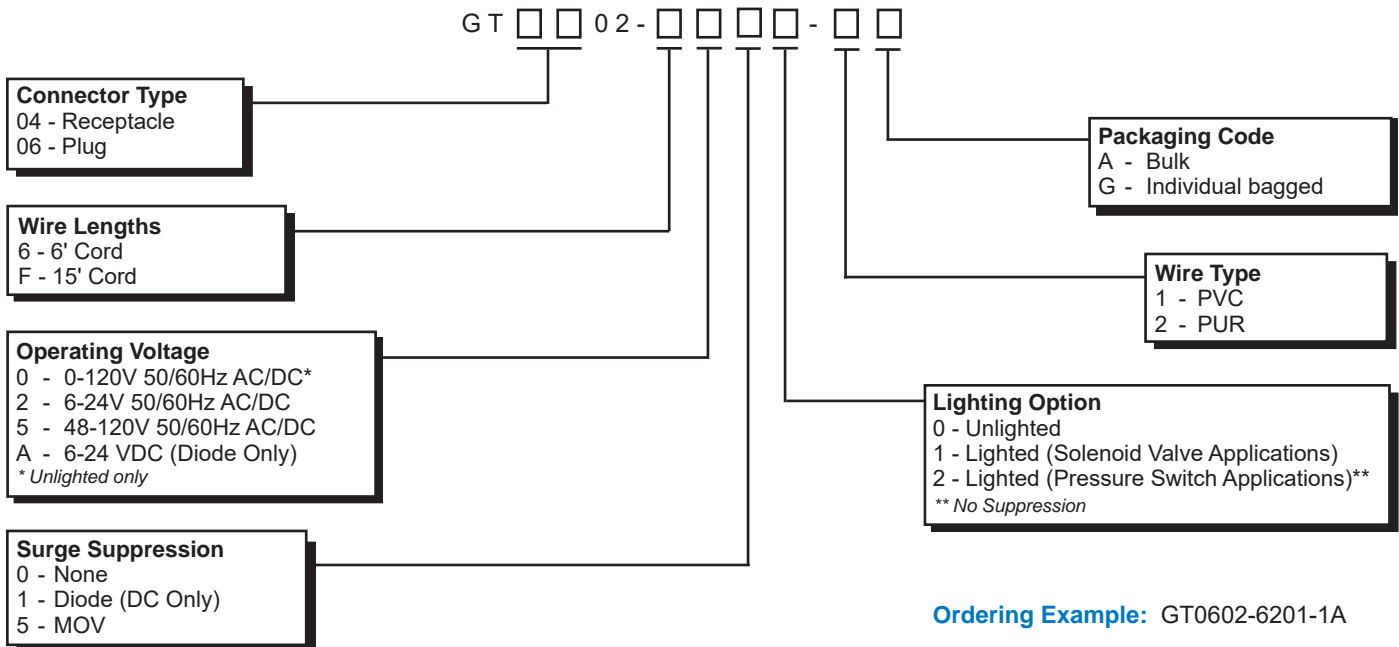
Terminal Configuration	
Wire Type	EUR
(+) Pos. / Hot Pin 1	BRN
(-) Neg. / Neut. Pin 2	BLU

PRESSURE SWITCH APPLICATION

Wiring for Lighting Option 2



ORDERING INFORMATION



Ordering Example: GT0602-6201-1A

Plug type, 6' cord length, 6-24V 50/60Hz AC/DC, no suppression, lighted, PVC, bulk