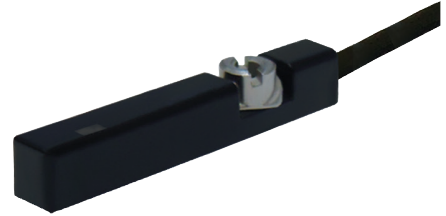




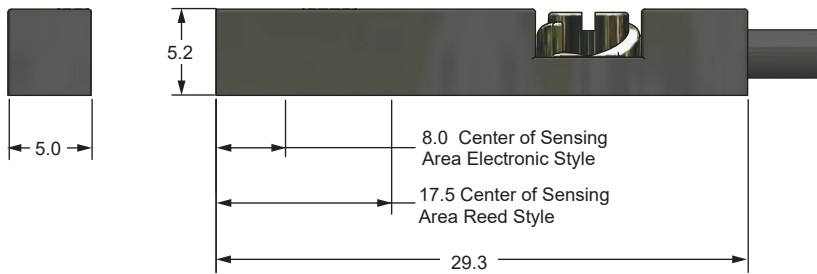
GENERAL DESCRIPTION

The Canfield Connector 9U Series is a compact full featured magnetic proximity switch designed to fit a Fabco, Festo, Numatics, Parker and SMC T-slot groove detail designed into linear actuators. The innovative top down design allows the switch to be inserted anywhere along the linear actuator and tightened into position. When installed the switch lies flush against the cylinder housing making installations neat and clean. The fully encapsulated switch is offered in reed, and electronic styles in either NPN or PNP. The robust encapsulated design meets IP67, EN60529, NEMA 6 environmental protection. Voltage ranges are available for reed version from 0 to 240 VAC/DC and 5-30 VDC in electronic versions. Options include 9ft. PVC, the 8mm quick connect male pigtail, or the Dual Sensors with 12mm quick connect male pigtail.

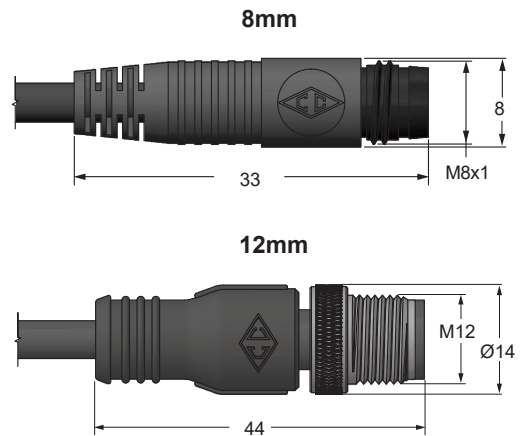


DIMENSIONAL DATA

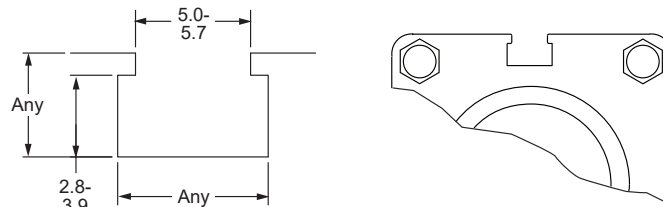
All dimensions are in millimeters unless otherwise noted.



CONNECTION OPTION



GROOVE DETAILS



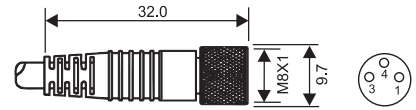
(Fits: Fabco, Festo, Numatics, Parker, SMC)

TECHNICAL DATA

| | |
|-----------------------------------|--|
| Switch Type / Tech. Specs. | See Ordering Information [†] |
| Sensitivity / Orientation | Electronic: 40 Gauss Parallel Reed: 60 Gauss Parallel (measured from sensor surface) |
| Shock | Up to 50G (11ms) |
| Vibration | Up to 9G |
| Materials | Cable: PUR House: PA |
| Temperature Range | -10° to +70°C |
| Environmental Protection | Designed for IP 67 / NEMA 6 |
| Cable Diameter | 2.9mm |
| Wire Gauge | 26 AWG standard |

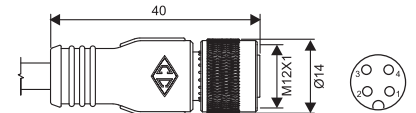
(ADDITIONAL) MATING CORDSETS / PIN CONFIGURATION

8mm female molded locking connector



Order P/N:
 Brown = Pin 1 RC08-AFM030-0120C10A (2m length)
 Blue = Pin 3 RC08-AFM030-0150C10A (5m length)
 Black = Pin 4

12mm female molded locking connector



Order P/N:
 Brown = Pin 1 RC12-AFM040-0120C10A (2m length)
 White = Pin 2 RC12-AFM040-0150C10A (5m length)
 Blue = Pin 3
 Black = Pin 4

ORDERING INFORMATION

9 U 1 0 - 0 0 0 - □ □ □

Connection Options

- 0 - 9 ft PVC cable
- 3 - 8mm quick connect male pigtail*
- 8 - Dual Sensors w/12mm quick connect male pigtail*

*Mates with cordsets shown above

| Switch [†] Type | Description | Function | Switching Voltage | Switching Current | Switching Power | Voltage Drop | Magnetic Sensitivity |
|--------------------------|---|--------------------|-------------------|-------------------|-----------------|--------------------|----------------------|
| 02 | Reed Switch with Red LED | Normally Open SPST | 5 - 240V AC/DC | 0.1 Amps Max. | 10 watts Max. | 2.65 Volts @ 100mA | 60 Ga. |
| 31 | Electronic for Reed Magnet, with Grn LED & Sourcing | Normally Open PNP | 5 - 30 VDC | 0.1 Amps Max. | 3 watts Max. | .5 Volts @ 100 mA | 40 Ga. |
| 32 | Electronic for Reed Magnet, with Red LED & Sinking | Normally Open NPN | 5 - 30 VDC | 0.1 Amps Max. | 3 watts Max. | .5 Volts @ 100 mA | 40 Ga. |

Ordering Example: 9U10-000-002

9 ft. PVC cable, reed switch with red LED, SPST, 5 - 240V AC/DC 50/60 Hz