



**canfield
connector**

9Q SERIES
REED & ELECTRONIC
MAGNETIC SENSORS FOR
UNIVERSAL "T" SLOT APPLICATIONS

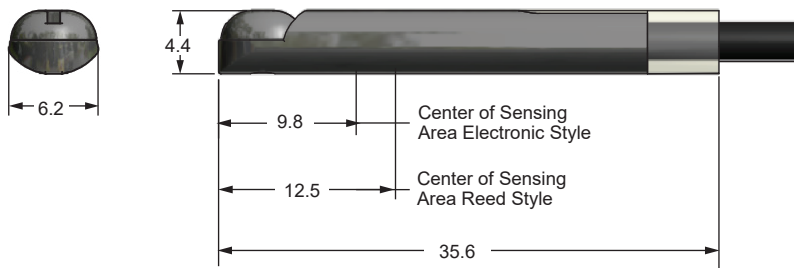
GENERAL DESCRIPTION

The Canfield Connector 9Q Series is a magnetic proximity switch that is engineered to fit into extruded actuators that are made with a "T" slot. The unique design of the 9Q enables it to be installed anywhere along the slot and assembled in place without taking off the actuator end-cap. The rugged polyurethane encapsulated switch features an innovative design that incorporates a hard nylon shell. The switches are available in reed or electronic sensing and features a standard on board indicator light. Options include 9ft. PVC, the 8mm quick connect male pigtail, or the Dual Sensors with 12mm quick connect male pigtail. The sensors meet NEMA 6 / IP67 environmental specifications and are corrosion and wash-down compatible. This sensor is proudly made in the USA.

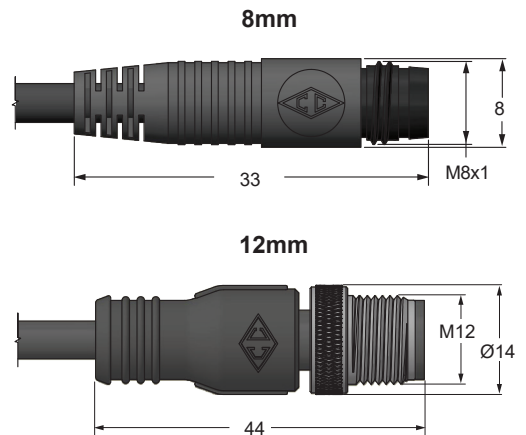


DIMENSIONAL DATA

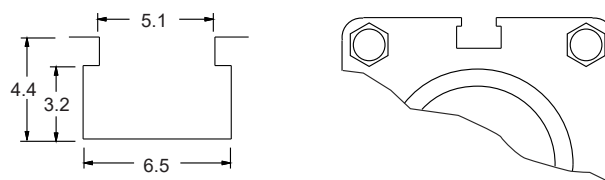
All dimensions are in millimeters unless otherwise noted.



CONNECTION OPTION



GROOVE DETAILS



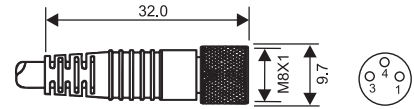
(Fits: Parker, Fabco, Festo, Numatics, Rotomation)

TECHNICAL DATA

Switch Type / Tech. Specs.	See Ordering Information [†]
Sensitivity / Orientation	Electronic: 25 Gauss Parallel Reed: 85 Gauss Parallel (measured from sensor surface)
Shock	Up to 30G (11mS) Reed Only (not applicable for electronics)
Vibration	Up to 20G (10-55 Hz) Reed only
Materials	Cable: PVC House: PEI, TPU
Temperature Range	-20° to +80°C
Environmental Protection	Designed for IP 67 / NEMA 6
Cable Diameter	2.7mm
Wire Gauge	26 AWG standard

(ADDITIONAL) MATING CORDSETS / PIN CONFIGURATION

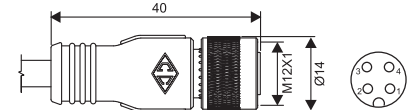
8mm female molded locking connector



Brown = Pin 1
Blue = Pin 3
Black = Pin 4

Order P/N:
RC08-AFM030-0120C10A (2m length)
RC08-AFM030-0150C10A (5m length)

12mm female molded locking connector



Brown = Pin 1
White = Pin 2
Blue = Pin 3
Black = Pin 4

Order P/N:
RC12-AFM040-0120C10A (2m length)
RC12-AFM040-0150C10A (5m length)

ORDERING INFORMATION

9 Q 1 0 - 0 0 0 - □ □ □

Connection Options

0 - 9 ft PVC cable
3 - 8mm quick connect male pigtail*
8 - Dual Sensors w/12mm quick connect male pigtail*
**Mates with cordsets shown above*

Switch [†] Type	Description	Function	Switching Voltage	Switching Current	Switching Power	Voltage Drop	Magnetic Sensitivity
01	Reed Switch	Normally Open SPST	0 - 120V AC/DC 50/60 Hz	0.25 Amps Max.	5 watts Max.	0 Volts	85 Ga.
02	Reed Switch for PLC's, Red LED (current limiting)	Normally Open SPST	5 - 120V AC/DC 50/60 Hz	0.03 Amps Max. 0.001 Amps Min.	4 watts Max.	5.0 Volts @ 5mA	85 Ga.
31	Electronic for Reed Magnet, Yel LED & Sourcing	Normally Open PNP	5 - 28 VDC	0.2 Amps Max.	4.8 watts Max.	1.0 Volts	25 Ga.
32	Electronic for Reed Magnet, Red LED & Sinking	Normally Open NPN	5 - 28 VDC	0.2 Amps Max.	4.8 watts Max.	1.0 Volts	25 Ga.

Ordering Example: 9Q10-000-002

9 ft. PVC cable, reed switch for PLC's with LED, SPST, normally open, 5 - 120V AC/DC 50/60 Hz