



**canfield
connector**

9K SERIES
REED & ELECTRONIC
MAGNETIC SENSORS FOR
4.2MM "U" GROOVE APPLICATIONS

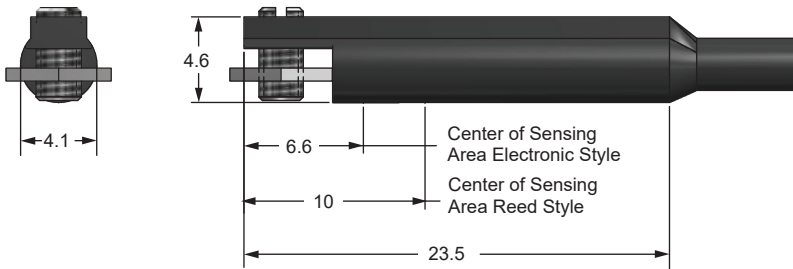
GENERAL DESCRIPTION

The Canfield Connector 9K Series is a profile mounting type switch that fits in a 4.2mm "U" groove which normally is designed into an aluminum extrusion type linear actuator. Available in reed or electronic versions, the 9K is also available with a 9 ft. PVC or 8mm quick connect male pigtail, or the Dual Sensors with 12mm quick connect male pigtail. The switch is IP67 which is dust tight and water resistant.

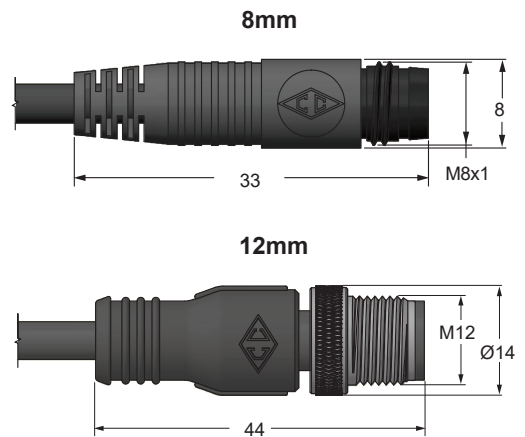


DIMENSIONAL DATA

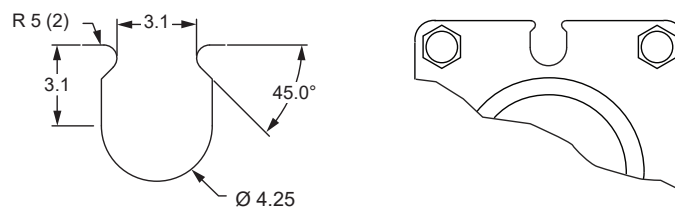
All dimensions are in millimeters unless otherwise noted.



CONNECTION OPTION



GROOVE DETAILS



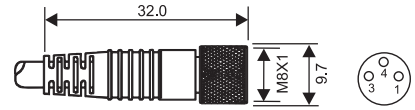
(Fits: Mindman, Koganei)

TECHNICAL DATA

Switch Type / Tech. Specs.	See Ordering Information [†]
Sensitivity / Orientation	Electronic: 25 Gauss Parallel Reed: 85 Gauss Parallel (measured from sensor surface)
Shock	Up to 30G (11mS) Reed Only (not applicable for electronics)
Vibration	Up to 20G (10-55 Hz) Reed only
Materials	Cable: PVC House: PBT
Temperature Range	-20° to +80°C
Environmental Protection	Designed for IP 67 / NEMA 6
Cable Diameter	2.8mm
Wire Gauge	26 AWG standard

(ADDITIONAL) MATING CORDSETS / PIN CONFIGURATION

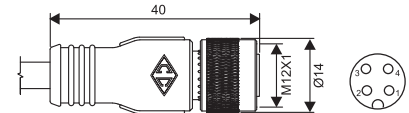
8mm female molded locking connector



Brown = Pin 1
Blue = Pin 3
Black = Pin 4

Order P/N:
RC08-AFM030-0120C10A (2m length)
RC08-AFM030-0150C10A (5m length)

12mm female molded locking connector



Brown = Pin 1
White = Pin 2
Blue = Pin 3
Black = Pin 4

Order P/N:
RC12-AFM040-0120C10A (2m length)
RC12-AFM040-0150C10A (5m length)

ORDERING INFORMATION

9 K 1 0 - 0 0 0 - □ □ □

Connection Options

0 - 9 ft PVC cable
3 - 8mm quick connect male pigtail*
8 - Dual Sensors w/12mm quick connect male pigtail*
**Mates with cordsets shown above*

Switch [†] Type	Description	Function	Switching Voltage	Switching Current	Switching Power	Voltage Drop	Magnetic Sensitivity
02	Reed Switch with Red LED	Normally Open SPST	5 - 120V AC/DC	0.03 Amps Max.	4 watts Max.	2.5 Volts	60 Ga.
31	Electronic for Reed Magnet, with Grn LED & Sourcing	Normally Open PNP	5 - 28 VDC	0.2 Amps Max.	4.8 watts Max.	.5 Volts	40 Ga.
32	Electronic for Reed Magnet, with Red LED & Sinking	Normally Open NPN	5 - 28 VDC	0.2 Amps Max.	4.8 watts Max.	.5 Volts	40 Ga.

Ordering Example: 9K10-000-002

9 ft. PVC cable, reed switch with red LED,
SPST, 5 - 120V AC/DC 50/60 Hz