



**canfield
connector**

9H SERIES
REED & ELECTRONIC
MAGNETIC SENSORS FOR
4.2MM "T" SLOT APPLICATIONS

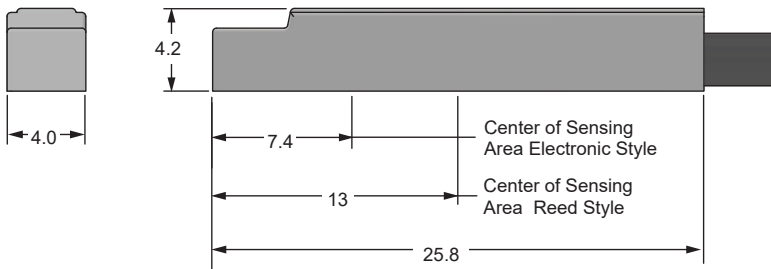
GENERAL DESCRIPTION

The Canfield Connector 9H Series is a profile mounting type switch that fits in a 4mm X 4mm square groove which normally is designed into an aluminum extrusion type linear actuator. Available in reed or electronic versions, the 9H is also available with a 9 ft. PVC or 8mm quick connect male pigtail, or the Dual Sensors with 12mm quick connect male pigtail. The switch is IP-67 which is dust tight and water resistant.

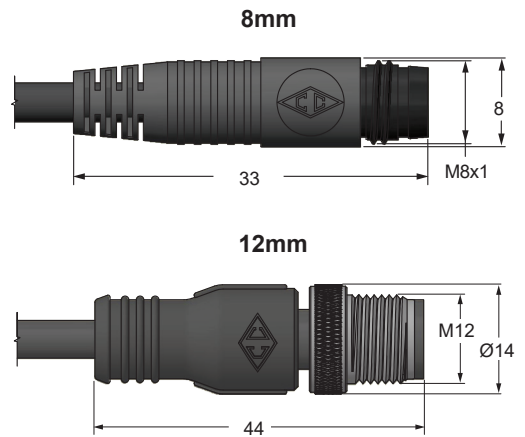


DIMENSIONAL DATA

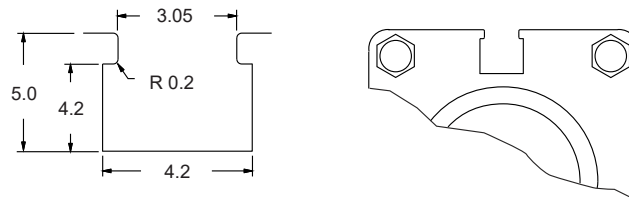
All dimensions are in millimeters unless otherwise noted.



CONNECTION OPTION



GROOVE DETAILS



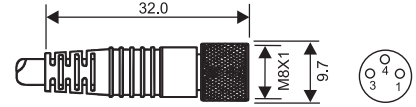
(Fits: 4x4 groove)

TECHNICAL DATA

Switch Type / Tech. Specs.	See Ordering Information [†]
Sensitivity / Orientation	Electronic: 40 Gauss Parallel Reed: 85 Gauss Parallel (measured from sensor surface)
Shock	Up to 30G (11ms) Reed Only (not applicable for electronics)
Vibration	Up to 20G (10-55 Hz) Reed only
Materials	Cable: PVC House: PBT, TPU
Temperature Range	-10° to +70°C
Environmental Protection	Designed for IP 67 / NEMA 6
Cable Diameter	2.7mm
Wire Gauge	26 AWG standard

(ADDITIONAL) MATING CORDSETS / PIN CONFIGURATION

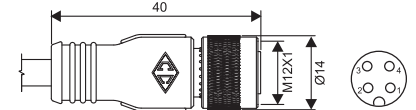
8mm female molded locking connector



Brown = Pin 1
Blue = Pin 3
Black = Pin 4

Order P/N:
RC08-AFM030-0120C10A (2m length)
RC08-AFM030-0150C10A (5m length)

12mm female molded locking connector



Brown = Pin 1
White = Pin 2
Blue = Pin 3
Black = Pin 4

Order P/N:
RC12-AFM040-0120C10A (2m length)
RC12-AFM040-0150C10A (5m length)

ORDERING INFORMATION

9H10-000-□□□

Connection Options

0 - 9 ft PVC cable
3 - 8mm quick connect male pigtail*
8 - Dual Sensors w/12mm quick connect male pigtail*
**Mates with cordsets shown above*

Switch [†] Type	Description	Function	Switching Voltage	Switching Current	Switching Power	Voltage Drop	**Magnetic Sensitivity
02	Reed Switch for PLC's, Red LED (current limiting)	Normally Open SPST	5 - 120V AC/DC 50/60 Hz	0.03 Amps Max. 0.001 Amps Min.	4 watts Max.	5.0 Volts @ 5mA	85 Ga.
31	Electronic for Reed Magnet, Yel LED & Sourcing	Normally Open PNP	5 - 28 VDC	0.5 Amps Max.	14 watts Max.	.5 Volts @ 500mA	40 Ga.
32	Electronic for Reed Magnet, Red LED & Sinking	Normally Open NPN	5 - 28 VDC	0.5 Amps Max.	14 watts Max.	.5 Volts @ 500mA	40 Ga.

^{††}Minimum gauss rating required for proper operation. Size of sensing area depends upon size and strength of magnet and thickness of cylinder wall.

Ordering Example: 9H10-000-032

9 ft. PVC cable, electronic for reed magnet, Red LED, sinking, NPN, 5 - 28 VDC