



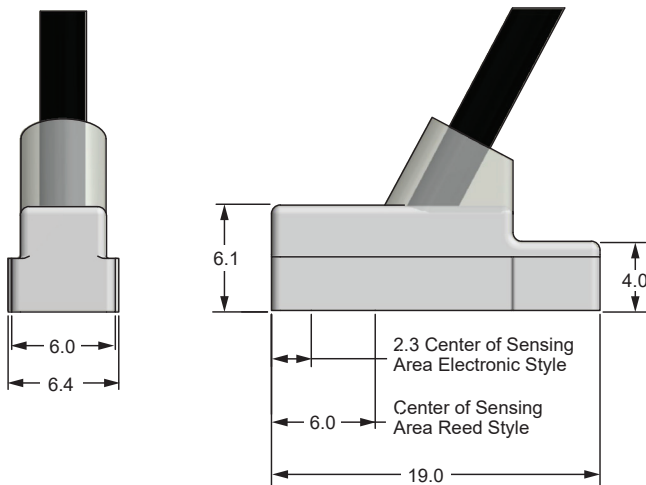
### GENERAL DESCRIPTION

The Canfield Connector 9F Series is a universal, ultra-small, magnetic proximity switch available in both solid state electronic and reed styles. These sensors are designed to fit the most stringent space requirements by using a 4mm "T" slot. The electronic sensor exhibits greater sensitivity to magnetism with reduced dead-band and hysteresis as compared to competitive devices. The reed sensor offers a wide operating voltage range. The molded switch has an on board indicator light that can be viewed from wide angles. Available options include 9ft. PVC, the 8mm quick connect male pigtail, or the Dual Sensors with 12mm quick connect male pigtail. The rugged switch is shipped with mounting hardware ready for installation.

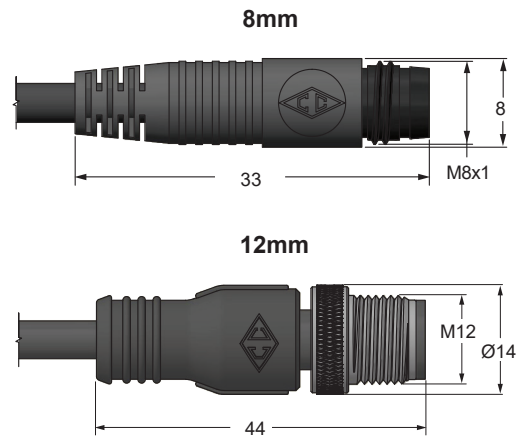


### DIMENSIONAL DATA

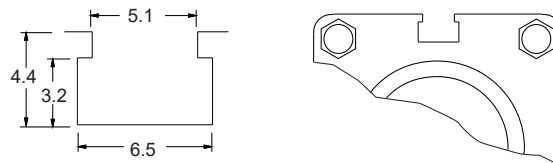
All dimensions are in millimeters unless otherwise noted.



### CONNECTION OPTION



### GROOVE DETAILS



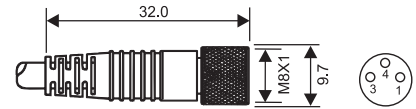
(Fits: Fabco, Festo, Numatics, Rotomation)

## TECHNICAL DATA

<b>Switch Type / Tech. Specs.</b>	See Ordering Information†
<b>Sensitivity / Orientation</b>	Electronic: 25 Gauss Parallel Reed: 85 Gauss Parallel (measured from sensor surface)
<b>Shock</b>	Up to 30G (11mS) Reed Only (not applicable for electronics)
<b>Vibration</b>	Up to 20G (10-55 Hz) Reed only
<b>Materials</b>	Cable: PVC House: PA, TPU
<b>Temperature Range</b>	-20° to +80°C
<b>Environmental Protection</b>	Designed for IP 67 / NEMA 6
<b>Cable Diameter</b>	2.7mm
<b>Wire Gauge</b>	26 AWG standard

## (ADDITIONAL) MATING CORDSETS / PIN CONFIGURATION

### 8mm female molded locking connector

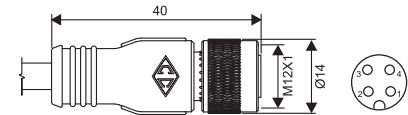


Brown = Pin 1  
Blue = Pin 3  
Black = Pin 4

#### Order P/N:

RC08-AFM030-0120C10A (2m length)  
RC08-AFM030-0150C10A (5m length)

### 12mm female molded locking connector



Brown = Pin 1  
White = Pin 2  
Blue = Pin 3  
Black = Pin 4

#### Order P/N:

RC12-AFM040-0120C10A (2m length)  
RC12-AFM040-0150C10A (5m length)

## ORDERING INFORMATION

9 F 10 - 0 0 0 - □ □ □

### Connection Options

0 - 9 ft PVC cable  
3 - 8mm quick connect male pigtail\*  
8 - Dual Sensors w/12mm quick connect male pigtail\*

\*Mates with cordsets shown above

Switch† Type	Description	Function	Switching Voltage	Switching Current	Switching Power	Voltage Drop	Magnetic Sensitivity
01	Reed Switch	Normally Open SPST	0 - 120V AC/DC 50/60 Hz	0.25 Amps Max.	5 watts Max.	0 Volts	85 Ga.
02	Reed Switch for PLC's, Red LED (current limiting)	Normally Open SPST	5 - 120V AC/DC 50/60 Hz	0.03 Amps Max. 0.001 Amps Min.	4 watts Max.	5.0 Volts @ 5mA	85 Ga.
31	Electronic for Reed Magnet, Yel LED & Sourcing	Normally Open PNP	5 - 28 VDC	0.2 Amps Max.	4.8 watts Max.	1.0 Volts	25 Ga.
32	Electronic for Reed Magnet, Red LED & Sinking	Normally Open NPN	5 - 28 VDC	0.2 Amps Max.	4.8 watts Max.	1.0 Volts	25 Ga.

**Ordering Example:** 9F10-000-002

9 ft. PVC cable, reed switch for PLC's with LED,  
SPST, normally open, 5 - 120V AC/DC 50/60 Hz