



GENERAL DESCRIPTION

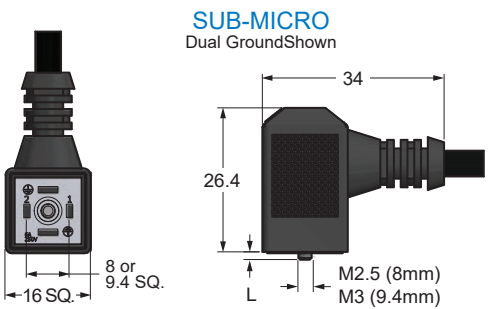
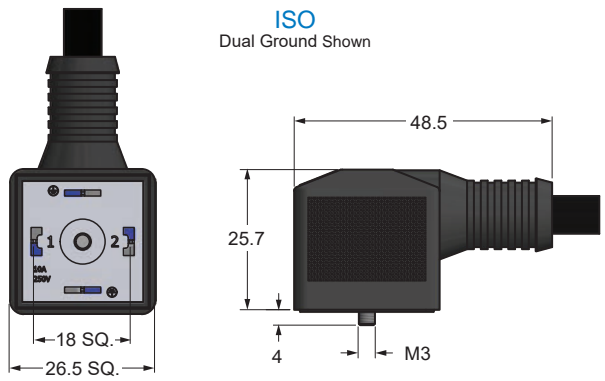
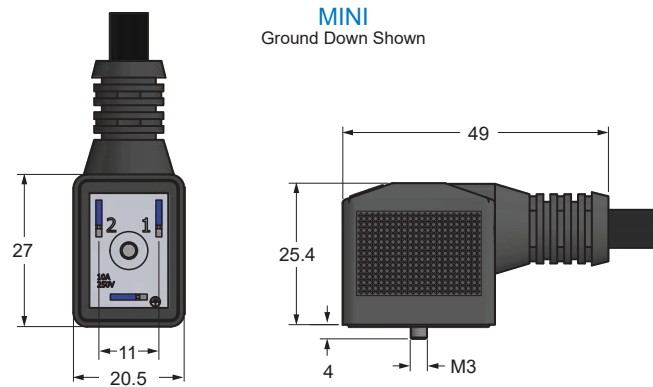
The Canfield Connector 5JFAC Series all-molded DIN solenoid valve connector/gasket/cord offer a completely molded plug and play design that interfaces female ISO DIN Style "A" EN175301-803 (Formerly DIN 43650), MINI and 9.4mm (Industry Standard) and 8mm Sub-Micro (DIN 43650 "C") solenoid connections to 8mm, 12mm (round) circular connectors or GT Deutsch style connectors. Made from rugged yet flexible polyurethane, the connector housing boasts high durability factors and application versatility. The low profile "90°" interface/cord configuration allows for installation in many limited space applications. The integrated gasket design boasts an IP67/NEMA 6 rating, is far better for environmental integrity than field wire versions and makes it impossible to lose the gasket! The 5FFAC and 5JFAC are the only molded valve connectors in the industry that feature bi-directional indicator lights and load suppression (not intended for UL 1449). The 5JFAC Series is proudly made in the U.S.A.



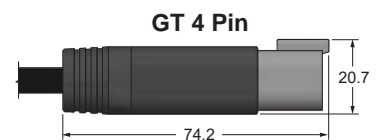
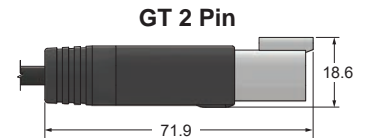
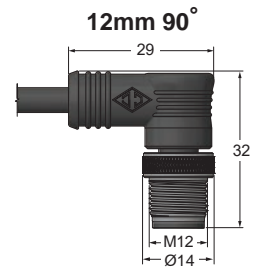
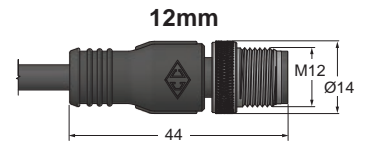
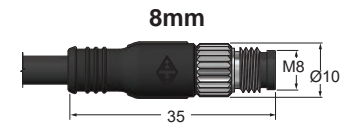
ISO, Lighted, M8 Straight version shown above

DIMENSIONAL DATA

All dimensions are in millimeters unless otherwise noted.



CONNECTION OPTIONS



TECHNICAL DATA

Current Max.	Continuous: 4 Amps Inrush: 10 Amps for 15 ms
Voltage Max.	120V AC/DC 50/60 Hz
Materials	Enclosure: Polyurethane (Black or Translucent) Gasket: Polyurethane
Temperature Range	-20° to +80°C
Environmental Protection	IP 67 AND NEMA 6, Dust tight and water resistant
Cable Type	Pressure extruded PVC jacket or PUR with & without shield (Others available on request)
Size	ISO: 18mm pin spacing - DIN Style "A" EN175301-803 MINI: 11mm pin spacing - Industry Standard Sub-Micro: 8mm pin spacing - DIN Style "C" EN 175301-803 Sub-Micro: 9.4mm pin spacing - Industry Standard
Number of Contacts	2+ ground

NOTE: Slight discoloration may occur to translucent material after prolonged exposure to UV rays.
NOTE: When using MAC Valves with MINI and 9.4mm Sub-Micro, consult our factory.

WIRING INFORMATION

Terminal Configuration		
Wire Type	EUR	US / HU
⊖ Chassis Ground	YEL & GRN	GRN
(+) Pos. / Hot Pin 1	BRN	BLK
(-) Neg. / Neut. Pin 2	BLU	WHT
Signal Pin 3	BLK	RED

PIN CONFIGURATION

Male Input A-Coding			Deutsch Receptacle		
3 Pin 8mm	4 Pin 8mm	5 Pin 12mm	2 Pin GT	3 Pin GT	4 Pin GT

CIRCUIT TYPES

	0-120V AC/DC	6-24V DC	6-120V AC/DC
8mm, 12mm Round	3-4 Pin 		
	5 Pin 		
GT Deutsch	2 Pin 		
	3 Pin 	-	-
	3 Pin 	-	-
	4 Pin 	-	-

*(:) indicates no connection on 3+ ground

ORDERING INFORMATION

All connectors come standard with integrated gasket and screw.

5 J F A C - □ □ □ - □ □ □ - □ □

Connector Type
 3 - 8mm SM
 4 - 9.4mm SM
 5 - MINI
 6 - ISO

Wire Length
 U - 2 Meter
 X - 5 Meter
Additional wire lengths available

Contacts
 0 - 2+ ground down (MINI)
 1 - 2+ ground up (MINI)
 2 - 3+ ground down
 3 - 3+ ground up
 4 - 2+ dual ground up/down
Additional ground orientations available

Operating Voltage
 0 - No light, no suppression*
 2 - 6-24V AC/DC 50/60 Hz
 5 - 48-120V AC/DC 50/60Hz
 A - 6-24VDC (Diode only)
 * Rated 120V AC/DC 50/60Hz

Suppression Type
 0 - No light, no suppression*
 1 - Diode (DC only)
 5 - Metal Oxide Varistor (MOV)
 * Rated 120V AC/DC 50/60Hz

Packaging Code
 A - Bulk
 G - Individual bagged
 L - Bulk MAC screw
 N - Individual bagged MAC screw
MAC is the registered trademark of MAC Valves, Inc.

Wire / Circuit Type				Coding
2 - M12	4 Pin	male	Straight	A
3 - M12	4 Pin	male	90°	A
4 - M12	5 Pin	male	Straight	A
5 - M12	5 Pin	male	90°	A
6 - M8	3 Pin	male	Straight	A
7 - M8	4 Pin	male	Straight	A
8 - GT04	2 Pin	receptacle	Deutsch	-
9 - GT04	3 Pin	receptacle	Deutsch	-
A - GT04	4 Pin	receptacle	Deutsch	-

Wire Type
 0 - PVC
 1 - PUR

Ordering Example: 5JFAC-3U4-250-2A

8mm SM, 2 meter wire length, 2+ dual ground up/down, 6-24V AC/DC 50/60 Hz, lighted, MOV, PVC wire type, M12, 4 pin, male, straight, bulk