



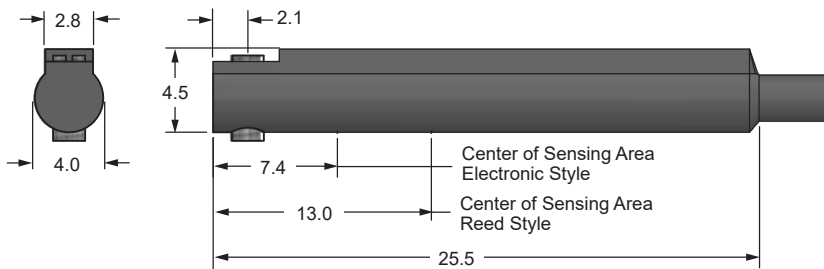
GENERAL DESCRIPTION

The 9C Series is a compact, universal, magnetically operated proximity switch commonly used on aluminum extruded profile type linear actuators equipped with magnetic pistons. The switches are available in both reed and electronic styles and made to fit into a 4mm key hole type slot. Position fixing is accomplished by means of a screw that is supplied in the switch body. The on board indicator light shows instant switch diagnostics to minimize downtime and facilitate installation and can be seen from wide angles. Available Options include 9ft. PVC, the 8mm quick connect male pigtail, or the Dual Sensors with 12mm quick connect male pigtail. The switch can handle AC or DC current in several configurations. The 9C is constructed of engineered polymers and designed to meet IP 67 / NEMA 6 environmental specifications.

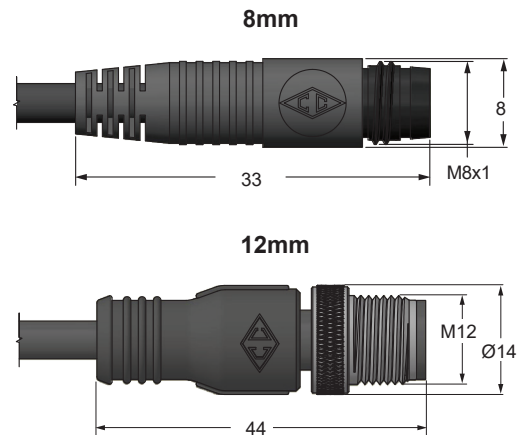


DIMENSIONAL DATA

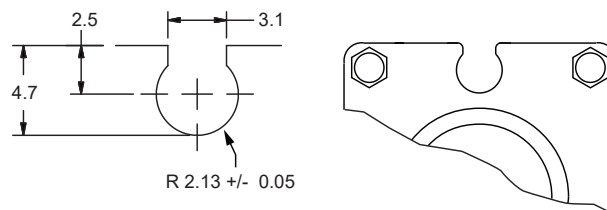
All dimensions are in millimeters unless otherwise noted.



CONNECTION OPTION



GROOVE DETAILS



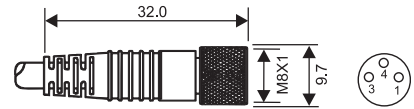
(Fits: DE-STA-CO, Robohand, SMC, Bimba, Compact Air, Fabco)

TECHNICAL DATA

Switch Type / Tech. Specs.	See Ordering Information†
Sensitivity / Orientation	Electronic: 40 Gauss Parallel Reed: 85 Gauss Parallel (measured from sensor surface)
Shock	Up to 30G (11mS) Reed Only (not applicable for electronics)
Vibration	Up to 20G (10-55 Hz) Reed only
Materials	Cable: PVC House: PBT, TPU
Temperature Range	-10° to +70°C
Environmental Protection	Designed for IP 67 / NEMA 6
Cable Diameter	2.7mm
Wire Gauge	26 AWG standard

(ADDITIONAL) MATING CORDSETS / PIN CONFIGURATION

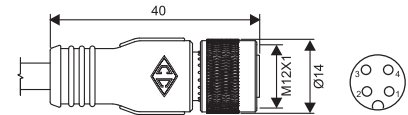
8mm female molded locking connector



Brown = Pin 1
Blue = Pin 3
Black = Pin 4

Order P/N:
RC08-AFM030-0120C10A (2m length)
RC08-AFM030-0150C10A (5m length)

12mm female molded locking connector



Brown = Pin 1
White = Pin 2
Blue = Pin 3
Black = Pin 4

Order P/N:
RC12-AFM040-0120C10A (2m length)
RC12-AFM040-0150C10A (5m length)

ORDERING INFORMATION

9 C 1 0 - 0 0 0 - [] [] []

Connection Options

- 0 - 9 ft PVC cable
 - 3 - 8mm quick connect male pigtail*
 - 8 - Dual Sensors w/12mm quick connect male pigtail*
- *Mates with cordsets shown above

Switch† Type	Description	Function	Switching Voltage	Switching Current	Switching Power	Voltage Drop	**Magnetic Sensitivity
02	Reed Switch for PLC's, Red LED (current limiting)	Normally Open SPST	5 - 120V AC/DC 50/60 Hz	0.03 Amps Max. 0.001 Amps Min.	4 watts Max.	5.0 Volts @ 5mA	85 Ga.
31	Electronic for Reed Magnet, Yel LED & Sourcing	Normally Open PNP	5 - 28 VDC	0.5 Amps Max.	14 watts Max.	.5 Volts @ 500mA	40 Ga.
32	Electronic for Reed Magnet, Red LED & Sinking	Normally Open NPN	5 - 28 VDC	0.5 Amps Max.	14 watts Max.	.5 Volts @ 500mA	40 Ga.

†Minimum gauss rating required for proper operation. Size of sensing area depends upon size and strength of magnet and thickness of cylinder wall.

Ordering Example: 9C10-000-032

9 ft. PVC cable, electronic for reed magnet,
Red LED, sinking, NPN, 5 - 28 VDC