



canfield
connector

5JR SERIES

RECTIFIED
MOLDED

SOLENOID VALVE CONNECTORS

GENERAL DESCRIPTION

The Canfield Connector 5JR Series solenoid valve connectors incorporate a full-wave bridge rectifier inside a fully molded connector. The 5JR converts alternating current to direct current reducing coil burnout due to valve sticking. Also, direct current eliminates AC "hum" inherent to alternating current. Made from rugged yet flexible polyurethane, the connector housing boasts high durability factors and application versatility. The low profile 90° interface/cord configuration allows for installation in many limited space applications. The integrated gasket design boasts an IP67/NEMA 6 rating and makes it impossible to lose the gasket! Features bi-directional indicator lights, and load suppression (not intended for UL 1449). The 5JR Series is proudly made in the U.S.A.



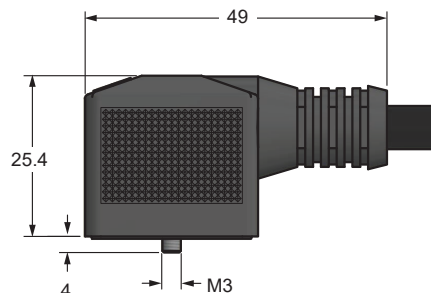
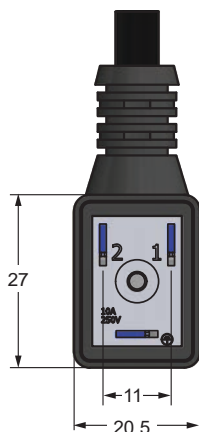
ISO, Lighted version shown above

DIMENSIONAL DATA

All dimensions are in millimeters unless otherwise noted.

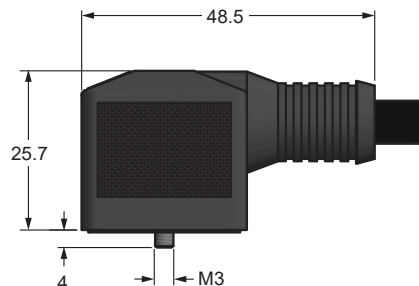
MINI

Ground Down Shown



ISO

Dual Ground Shown



TECHNICAL DATA

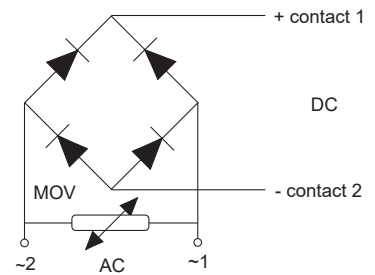
Current Max.	Continuous: 1 Amps Inrush: 15 Amps for 15 ms
Voltage Max.	250 VAC 50/60 Hz
Voltage Drop	2.2 Volts Max.
Materials	Enclosure: Polyurethane Gasket: Polyurethane
Temperature Range	-20° to +80°C
Environmental Protection	IP 67 AND NEMA 6, Dust tight and water resistant
Cable Diameter	ISO / MINI: EU (European) / US (U.S.A.): 0.275 ISO / MINI: HU (Hard Usage): .300
Cable Conductor Colors	EU Code: Blue, brown, yellow/green US Code: Black, green, white (Others available on request)
Cable Type	Pressure extruded PVC jacket Hard usage cordage "S" type with SJTOW standard PVC jacket (Others available on request)
Wire Gauge	18 AWG standard
Size	ISO: 18mm pin spacing - DIN Style "A" MINI: 11mm pin spacing - Industry Standard
Number of Contacts	2+ ground

NOTE: Slight discoloration may occur to translucent material after prolonged exposure to UV rays.

WIRING INFORMATION

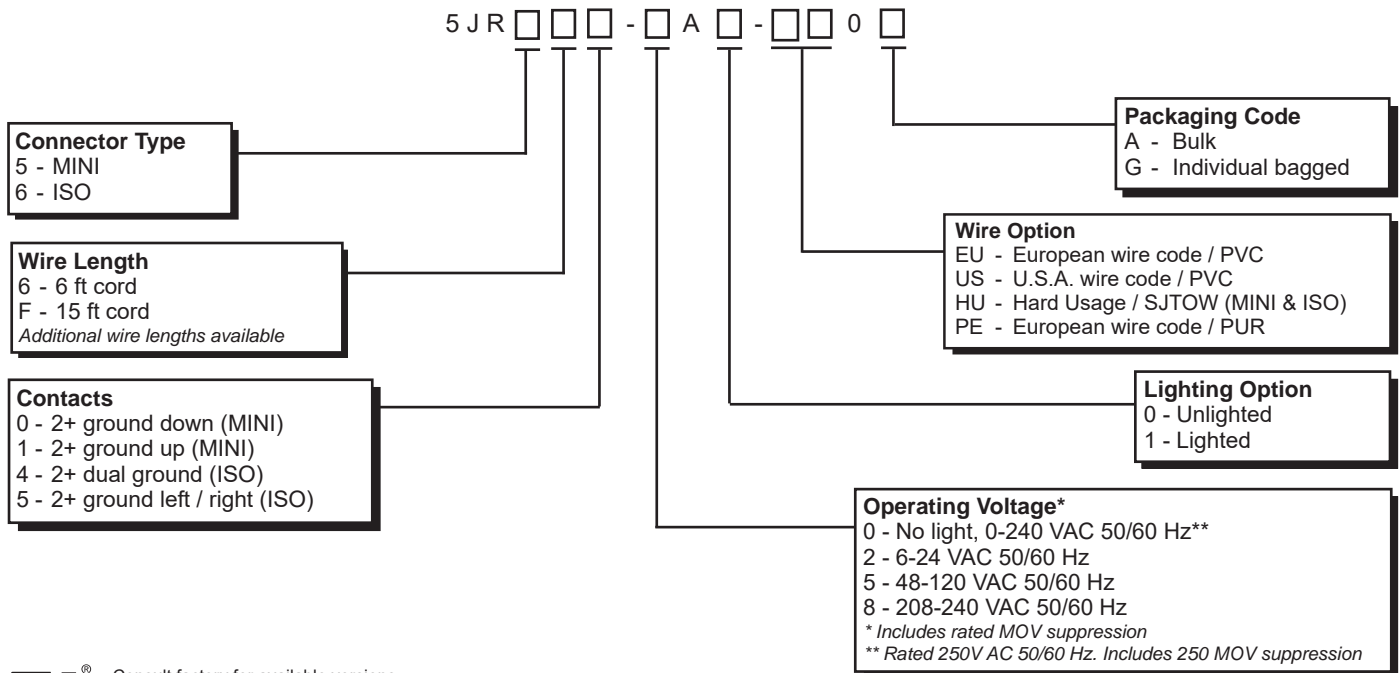
Terminal Configuration		
Wire Type	EUR	US / HU
⊕ Chassis Ground	YEL & GRN	GRN
(+) Pos. / Hot Pin 1	BRN	BLK
(-) Neg. / Neut. Pin 2	BLU	WHT


SCHEMATIC



ORDERING INFORMATION

All connectors come standard with integrated gasket and screw.



 Consult factory for available versions recognized under the Component Program of Underwriters Laboratories, Inc.

 Consult factory for available versions listed by Canadian Standards Association for use with certified electrical equipment.

Ordering Example: 5JR664-2A1-US0A

ISO, 6 ft wire length, 2+ dual ground, 6-24 VAC 50/60 Hz, Lighted, U.S.A. wire code / PVC jacket, bulk