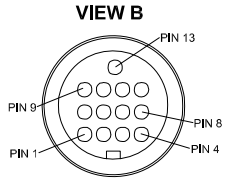


Revision Notes.

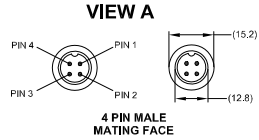
R1 - FUSE HOLDER REVISED AND NOTE 7 ADDED. REFER TO ECR CR-A413.

APA: YILING ZHANG Drawn: M.BUTLER Checked: R.BATES Approved: B.JOHN Date: 25/01/16



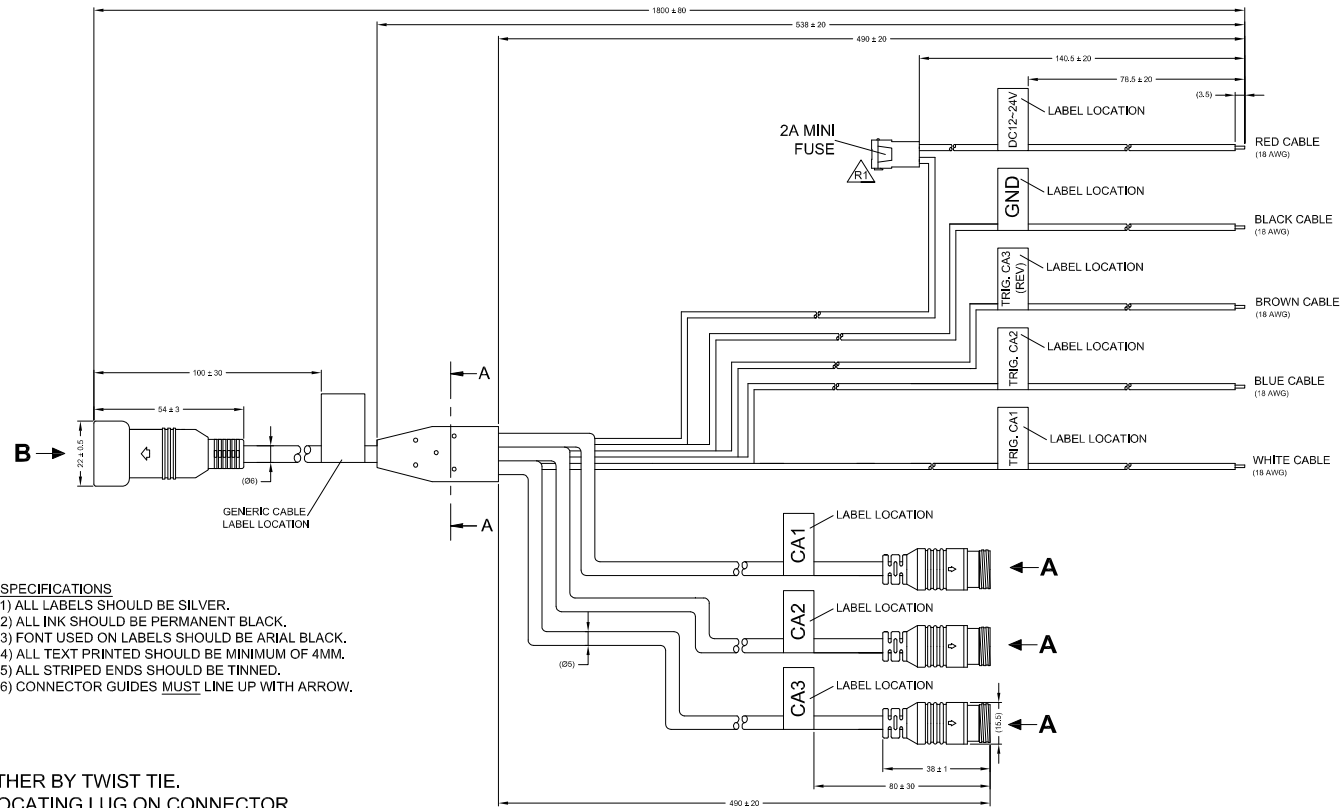
13 PIN FEMALE MATING FACE

PIN #	WIRE COLOUR	DESCRIPTION
1	RED	+12VAV
2	BROWN	TRIGGER 3
3	BLUE	TRIGGER 2
4	PURPLE	TRIGGER 1
5	PALE RED	CA1 +12V OUT
6	GRAY	CA1 AUDIO
7	YELLOW	CA1 VIDEO
8	GREEN	CA2 +12V OUT
9	PALE GREEN	CA2 AUDIO
10	WHITE	CA2 VIDEO
11	BLACK	CA3 +12V OUT
12	PALE BLUE	CA3 AUDIO
13	ORANGE	CA3 VIDEO
14	BLACK	GROUND



4 PIN MALE MATING FACE

PIN #	WIRE COLOUR	DESCRIPTION
1	RED	+12V
2	BLACK	GND
3	WHITE	AUDIO
4	YELLOW	VIDEO



SPECIFICATIONS

- 1) ALL LABELS SHOULD BE SILVER.
- 2) ALL INK SHOULD BE PERMANENT BLACK.
- 3) FONT USED ON LABELS SHOULD BE ARIAL BLACK.
- 4) ALL TEXT PRINTED SHOULD BE MINIMUM OF 4MM.
- 5) ALL STRIPED ENDS SHOULD BE TINNED.
- 6) CONNECTOR GUIDES MUST LINE UP WITH ARROW.

NOTES:

1. CABLE TO BE HELD NEATLY TOGETHER BY TWIST TIE.
2. ENSURE ARROWS LINE UP WITH LOCATING LUG ON CONNECTOR.
3. MAXIMUM POSSIBLE RESISTANCE PERMITTED FOR CABLE IS 1.2Ω.
4. CABLE TO BE SUPPLIED IN A SUITABLE PRESS SEAL BAG WHEN SUPPLIED AS A SPARE PART.
5. FOR MANUFACTURING CONTROLS PLEASE REFER TO ASSEMBLY PLANT DRAWING #SV165-31 REVISION 1.0.
6. FOR CABLE LABEL REFER TO LATEST REVISION OF GENERIC CABLE LABEL DRAWING BE-001500-XX-11.
7. FUSE HOLDER MAY CHANGE ALTHOUGH FUNCTION AND RATING MUST REMAIN THE SAME. ⚠

PROPRIETARY NOTICE

THIS DESIGN AND TECHNICAL INFORMATION APPEARING ON THIS DRAWING IS THE PROPERTY OF BRIGADE ELECTRONICS, AND IS DISCLOSED IN CONFIDENCE. IT IS NOT TO BE COPIED, REPRODUCED, REVEALED TO OR EXPROPRIATED BY OTHERS, EITHER IN WHOLE OR IN PART WITHOUT THE EXPRESS WRITTEN CONSENT OF BRIGADE ELECTRONICS.



Assembly PI Approval DONGQUING LIM (16/01/14)	Approved by B. JOHN	Checked by R. BATES	Drawn by M. BUTLER
Angle of Projection 	Units mm	Scale N/A	Released 17/01/14
Status RELEASED	Assembly Ref 165-31		
Part No 3176B	VBV-7X0M-CA BE-002292-01-13		