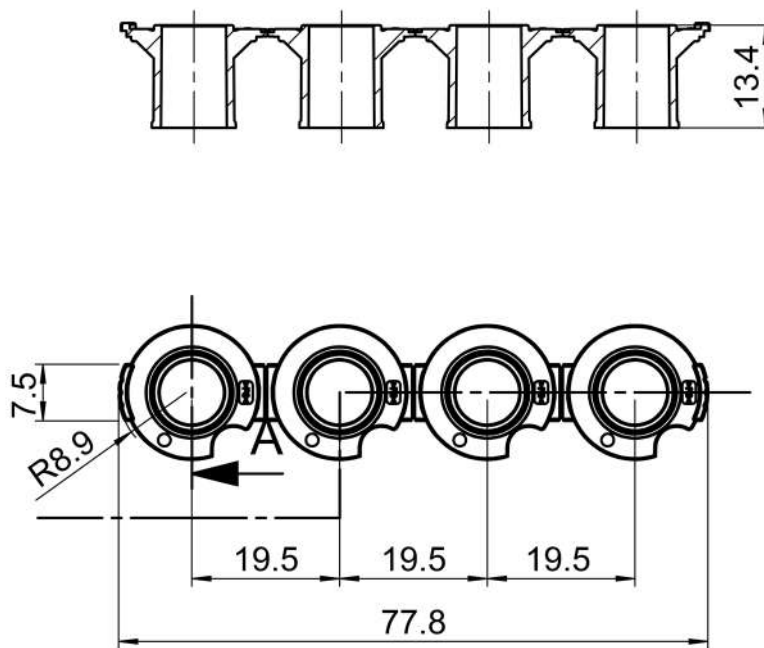


Insert Strip, height 13 mm for BRANDplates® 24-well and 24/6-well plate 782810

PRODUCT
INFORMATION



Dimensions in mm

Volume	50 - 400 µl
Material	Polystyrene, medical grade
Quality	BIO-CERT® CELL CULTURE QUALITY



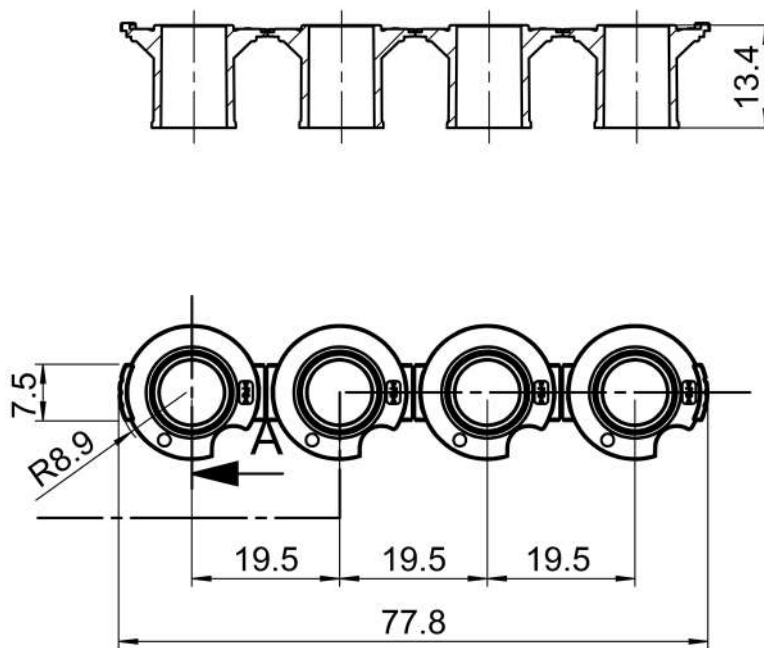
Membrane properties

Material	Polyethylenterephthalate
Thickness	12 µm
Pore size	0.4 µm
Pore density	2 x 10 ⁶ /cm ² , transparent
Culture area	ca. 0.6 cm ²
Surface treatment	cellGrade™ plus

Subject to technical modification without notice. Errors excepted.

Insert Strip, height 13 mm for BRANDplates® 24-well and 24/6-well plate 782870

PRODUCT
INFORMATION



Dimensions in mm

Volume	50 - 400 µl
Material	Polystyrene, medical grade
Quality	BIO-CERT® CELL CULTURE QUALITY



Membrane properties

Material	Polyethylenterephthalate
Thickness	16 µm
Pore size	8.0 µm
Pore density	2 x 10 ⁵ /cm ² , transparent
Culture area	ca. 0.6 cm ²
Surface treatment	cellGrade™ plus

Subject to technical modification without notice. Errors excepted.