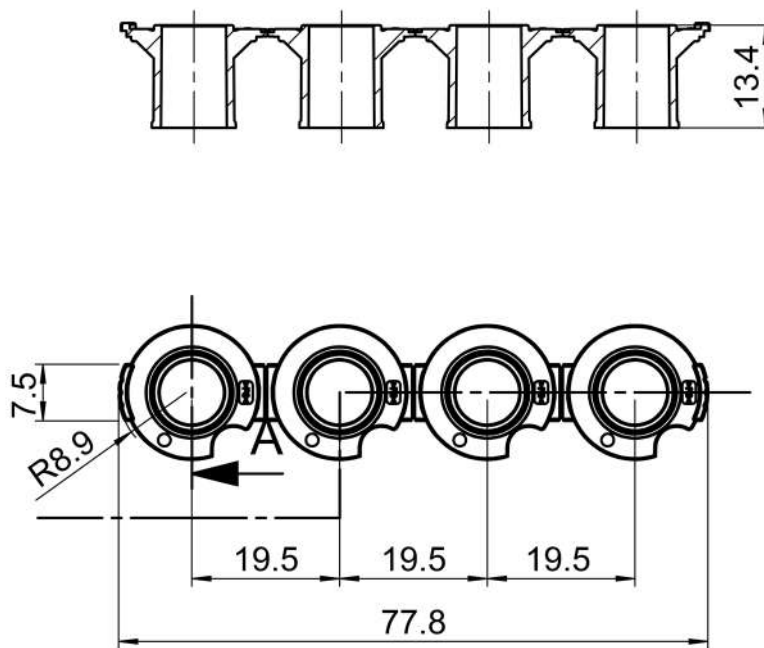


# Insert Strip, height 13 mm for BRANDplates® 24-well and 24/6-well plate 782800

PRODUCT  
INFORMATION



Dimensions in mm

<b>Volume</b>	50 - 400 µl
<b>Material</b>	Polystyrene, medical grade
<b>Quality</b>	BIO-CERT® CELL CULTURE QUALITY



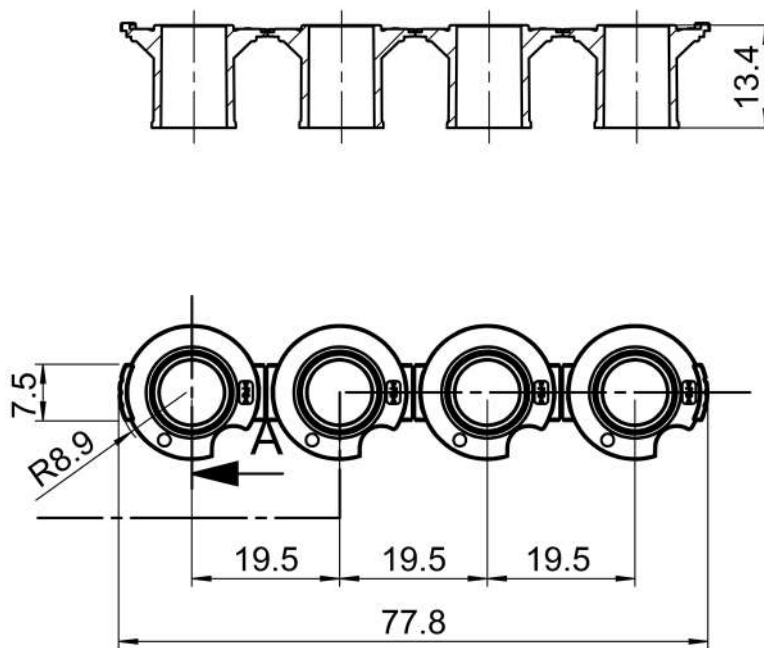
## Membrane properties

<b>Material</b>	Polycarbonate, USP class VI conform
<b>Thickness</b>	10 µm
<b>Pore size</b>	0.4 µm
<b>Pore density</b>	1 x 10 <sup>8</sup> /cm <sup>2</sup> , translucent
<b>Culture area</b>	ca. 0.6 cm <sup>2</sup>
<b>Surface treatment</b>	cellGrade™ plus

Subject to technical modification without notice. Errors excepted.

# Insert Strip, height 13 mm for BRANDplates® 24-well and 24/6-well plate 782820

PRODUCT  
INFORMATION



Dimensions in mm

<b>Volume</b>	50 - 400 µl
<b>Material</b>	Polystyrene, medical grade
<b>Quality</b>	BIO-CERT® CELL CULTURE QUALITY



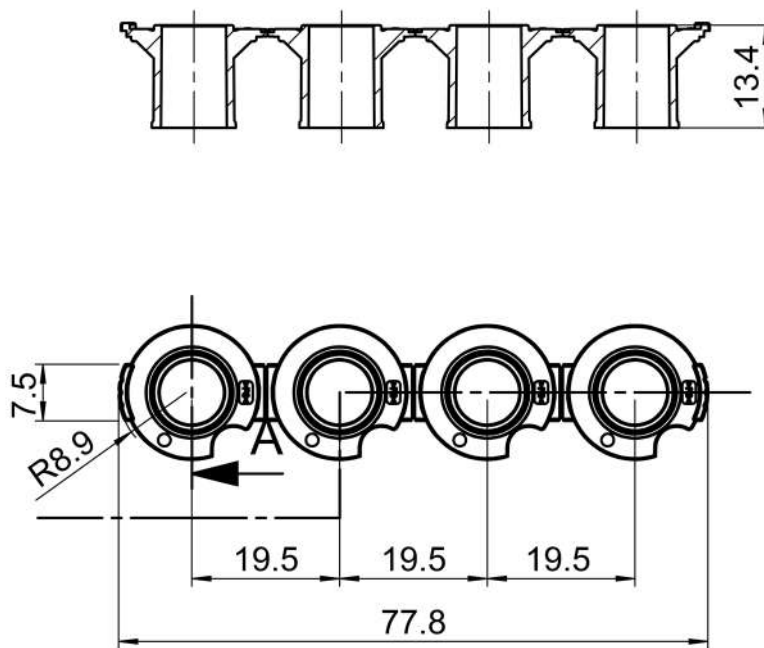
## Membrane properties

<b>Material</b>	Polycarbonate
<b>Thickness</b>	9 µm
<b>Pore size</b>	1.0 µm
<b>Pore density</b>	2x 10 <sup>6</sup> /cm <sup>2</sup>
<b>Culture area</b>	ca. 0.6 cm <sup>2</sup>
<b>Surface treatment</b>	cellGrade™ plus

Subject to technical modification without notice. Errors excepted.

# Insert Strip, height 13 mm for BRANDplates® 24-well and 24/6-well plate 782840

PRODUCT  
INFORMATION



Dimensions in mm

<b>Volume</b>	50 - 400 µl
<b>Material</b>	Polystyrene, medical grade
<b>Quality</b>	BIO-CERT® CELL CULTURE QUALITY



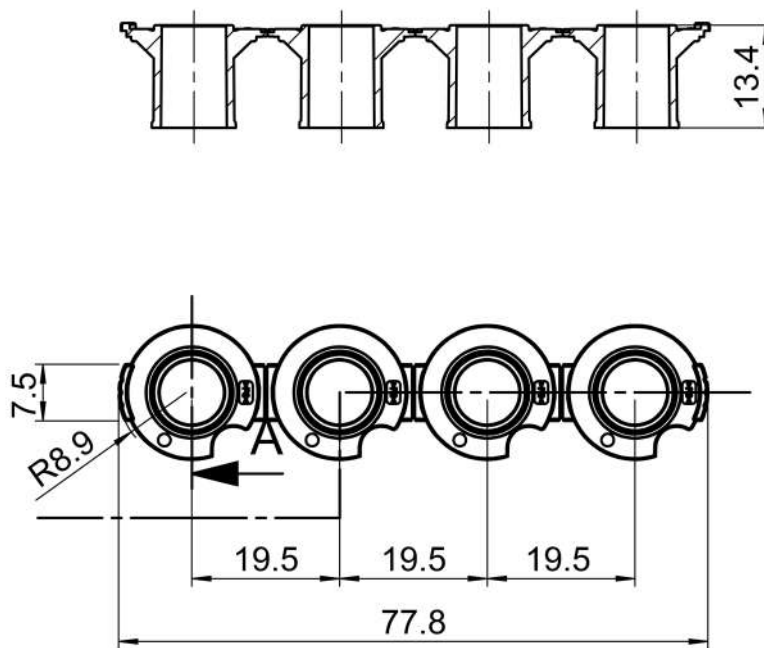
## Membrane properties

<b>Material</b>	Polycarbonate
<b>Thickness</b>	22 µm
<b>Pore size</b>	3.0 µm
<b>Pore density</b>	1,5 x 10 <sup>6</sup> /cm <sup>2</sup>
<b>Culture area</b>	ca. 0.6 cm <sup>2</sup>
<b>Surface treatment</b>	cellGrade™ plus

Subject to technical modification without notice. Errors excepted.

# Insert Strip, height 13 mm for BRANDplates® 24-well and 24/6-well plate 782860

PRODUCT  
INFORMATION



Dimensions in mm

<b>Volume</b>	50 - 400 µl
<b>Material</b>	Polystyrene, medical grade
<b>Quality</b>	BIO-CERT® CELL CULTURE QUALITY



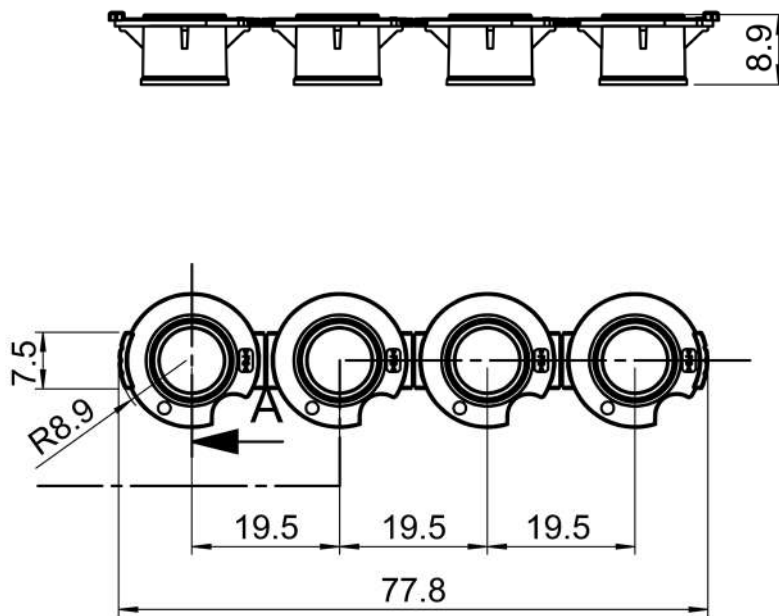
## Membrane properties

<b>Material</b>	Polycarbonate
<b>Thickness</b>	18 µm
<b>Pore size</b>	8.0 µm
<b>Pore density</b>	1 x 10 <sup>5</sup> /cm <sup>2</sup>
<b>Culture area</b>	ca. 0.6 cm <sup>2</sup>
<b>Surface treatment</b>	cellGrade™ plus

Subject to technical modification without notice. Errors excepted.

# Insert Strip, height 9 mm for BRANDplates® 24-well and 24/6-well plate 782900

PRODUCT  
INFORMATION



Dimensions in mm

<b>Volume</b>	50 - 400 µl
<b>Material</b>	Polystyrene, medical grade
<b>Quality</b>	BIO-CERT® CELL CULTURE QUALITY



## Membrane properties

<b>Material</b>	Polycarbonate, USP class VI conform
<b>Thickness</b>	10 µm
<b>Pore size</b>	0.4 µm
<b>Pore density</b>	1 x 10 <sup>8</sup> /cm <sup>2</sup> , translucent
<b>Culture area</b>	ca. 0.6 cm <sup>2</sup>
<b>Surface treatment</b>	cellGrade™ plus

Subject to technical modification without notice. Errors excepted.