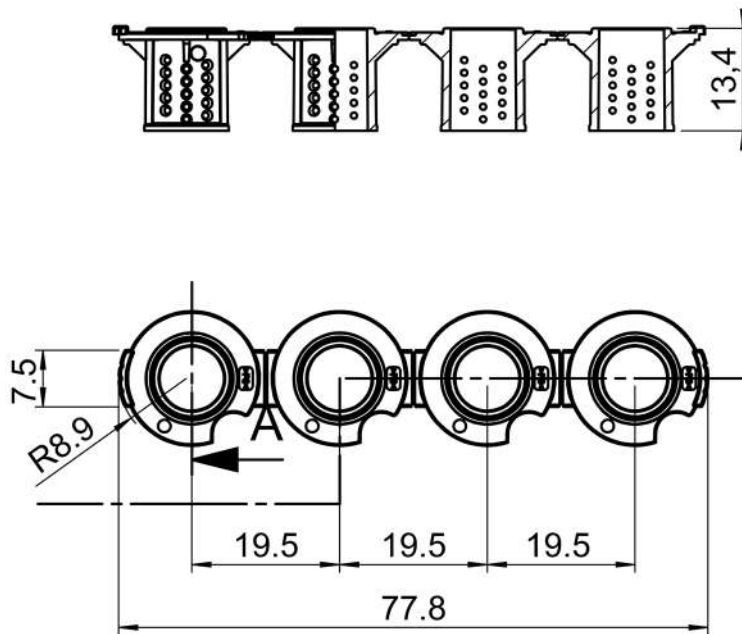


Insert Strip, height 13 mm, IOS for BRANDplates® 24-well and 24/6-well plate 782801

PRODUCT
INFORMATION



Dimensions in mm

Volume	50 - 400 µl
Material	Polystyrene, medical grade
Quality	BIO-CERT® CELL CULTURE QUALITY

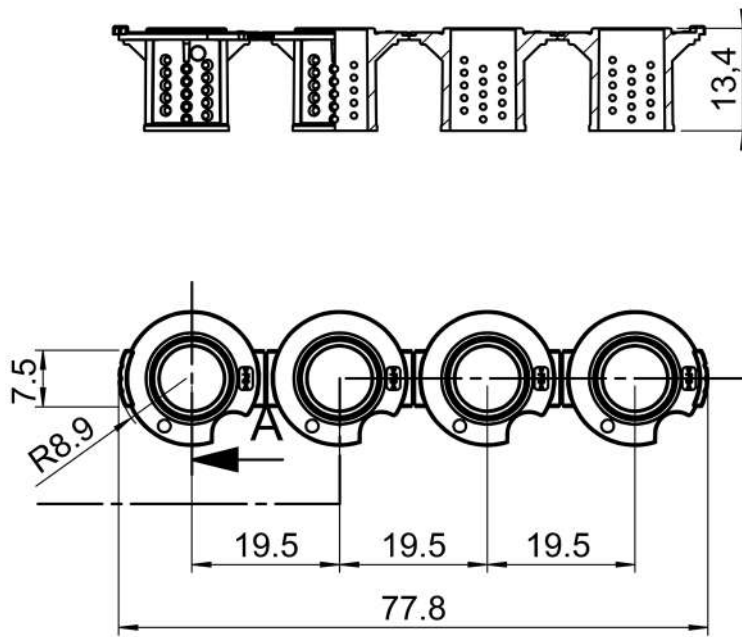


Membrane properties

Material	Polycarbonate, USP class VI conform
Thickness	10 µm
Pore size	0.4 µm
Pore density	1 x 10 ⁸ /cm ² , translucent
Culture area	ca. 0.6 cm ²
Surface treatment	cellGrade™ plus

Subject to technical modification without notice. Errors excepted.

Insert Strip, height 13 mm, IOS for BRANDplates® 24-well and 24/6-well plate 782821



Dimensions in mm

Volume	50 - 400 µl
Material	Polystyrene, medical grade
Quality	BIO-CERT® CELL CULTURE QUALITY



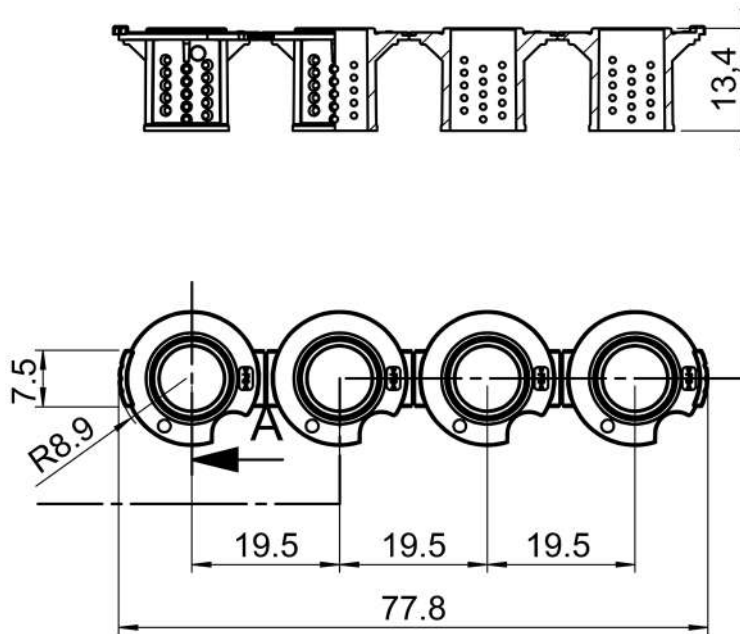
Membrane properties

Material	Polycarbonate
Thickness	9 µm
Pore size	1.0 µm
Pore density	2x 10 ⁶ /cm ²
Culture area	ca. 0.6 cm ²
Surface treatment	cellGrade™ plus

Subject to technical modification without notice. Errors excepted.

Insert Strip, height 13 mm, IOS for BRANDplates® 24-well and 24/6-well plate 782841

PRODUCT
INFORMATION



Dimensions in mm

Volume	50 - 400 µl
Material	Polystyrene, medical grade
Quality	BIO-CERT® CELL CULTURE QUALITY

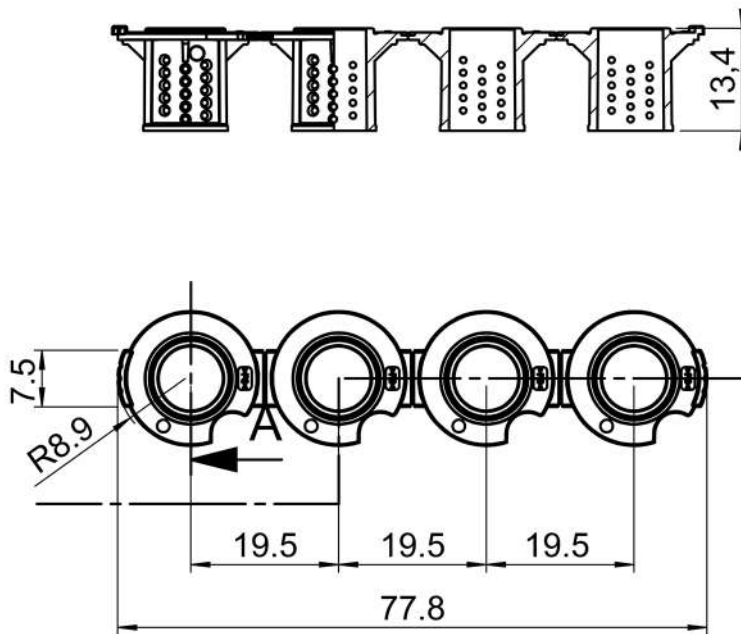


Membrane properties

Material	Polycarbonate
Thickness	22 µm
Pore size	3.0 µm
Pore density	1,6 x 10 ⁶ /cm ²
Culture area	ca. 0.6 cm ²
Surface treatment	cellGrade™ plus

Subject to technical modification without notice. Errors excepted.

Insert Strip, height 13 mm, IOS for BRANDplates® 24-well and 24/6-well plate 782861



Dimensions in mm

Volume	50 - 400 µl
Material	Polystyrene, medical grade
Quality	BIO-CERT® CELL CULTURE QUALITY



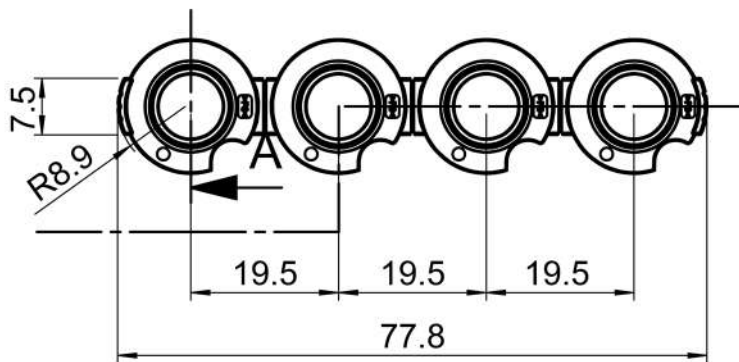
Membrane properties

Material	Polycarbonate
Thickness	18 µm
Pore size	8.0 µm
Pore density	1 x 10 ⁵ /cm ²
Culture area	ca. 0.6 cm ²
Surface treatment	cellGrade™ plus

Subject to technical modification without notice. Errors excepted.

Insert Strip, height 9 mm for BRANDplates® 24-well and 24/6-well plate 782901

PRODUCT
INFORMATION



Dimensions in mm

Volume	50 - 400 µl
Material	Polystyrene, medical grade
Quality	BIO-CERT® CELL CULTURE QUALITY



Membrane properties

Material	Polycarbonate, USP class VI conform
Thickness	10 µm
Pore size	0.4 µm
Pore density	1 x 10 ⁸ /cm ² , translucent
Culture area	ca. 0.6 cm ²
Surface treatment	cellGrade™ plus

Subject to technical modification without notice. Errors excepted.