



ELECTRICAL SPECIFICATIONS

Frequency Range: 2.4-2.48/5.15-5.85/6-7.125 GHz
 Gain: 12/12/12 dBi
 Polarization: 2 Vertical / 2 Horizontal
 Horizontal Beamwidth: 30/20/20°
 Vertical Beamwidth: 30/20/20°
 VSWR: <1.5:1 Max: 2.0
 Isolation: >30dB
 Impedance: 50 Ω



MECHANICAL SPECIFICATIONS

Dimensions: 15.4" x 15.4" x 1.57" (390x390x40mm)
 Weight: 1.5 lb (0.68 kg)
 Installation: Flush Mount to Wall or Articulating
 Wall/Pole Mount (included)

Radome Material: ABS
 Connector: N-Style
 Number of Leads: 4
 Cable Length: 36" (910mm)
 Cable Type: ATS-195



ENVIRONMENTAL SPECIFICATIONS

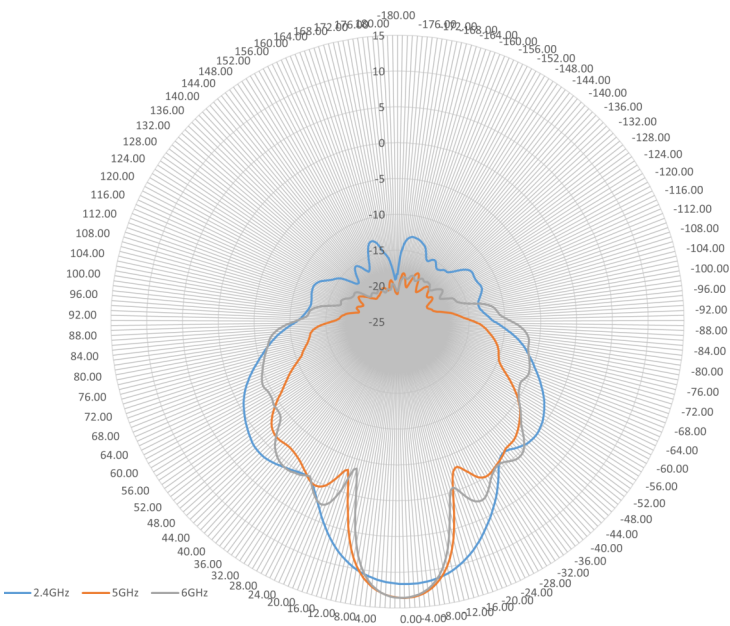
Installation Environment: Indoor/Outdoor
 IP Rating: IP67

WARRANTY

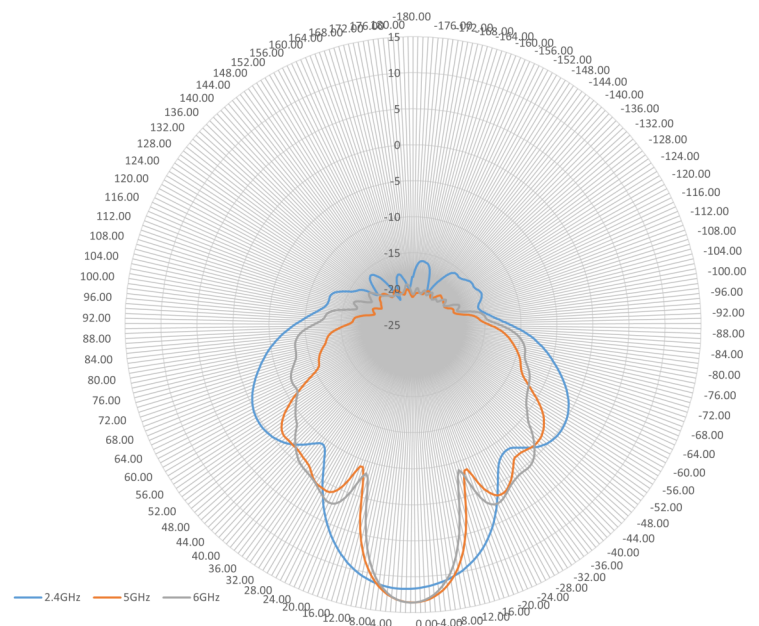
2 Year Limited Warranty



VERTICAL

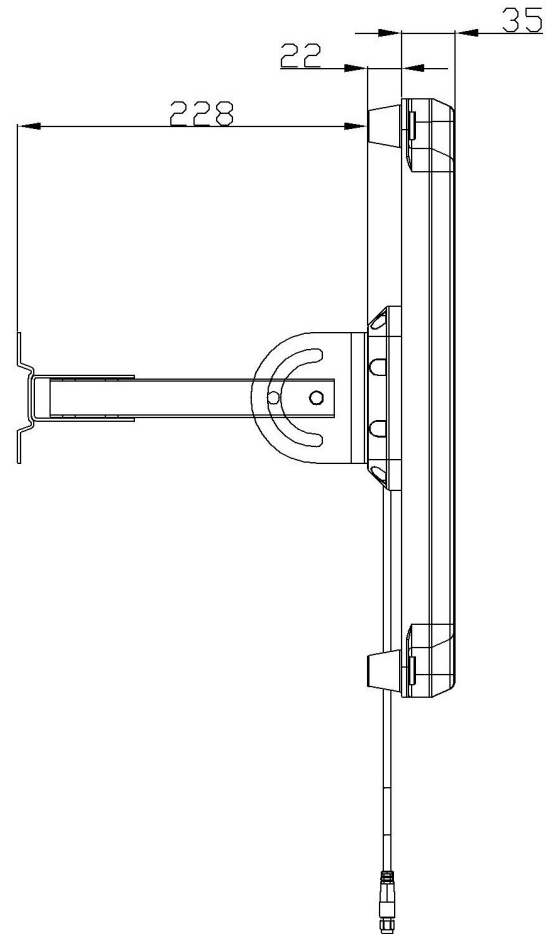
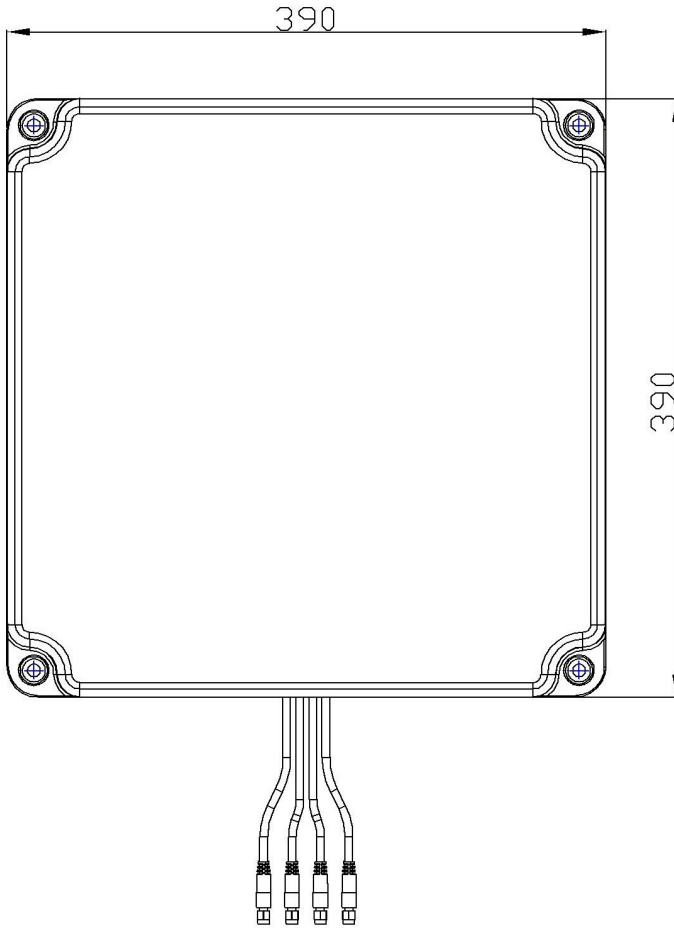


HORIZONTAL





2.4/5/6 GHZ 12 DBI 4 ELEMENT INDOOR/OUTDOOR PATCH ANTENNA WITH N-STYLE PLUG ATS-OHDP-2456-12-4NP-36



The facts and figures herein are carefully compiled to the best of our knowledge and are intended for general informational purposes only. Responsibility for the use and application of AccelTex Solutions materials rests with the end user. All AccelTex Solutions products are sold pursuant to the AccelTex Solutions Terms and Conditions of Sale. © 2023 AccelTex Solutions. All Rights Reserved. AccelTex, AccelTex Solutions, the AccelTex Solutions Logo and other marks are trademarks or registered trademarks of AccelTex Solutions. Other products or service names may be the property of third parties.

1.888.406.8906
SALES@ACCELTEX.COM