



ELECTRICAL SPECIFICATIONS

Frequency Range: 2.4-2.5 / 5.1-5.85 GHz
 Gain: 8 dBi
 Polarization: 2 Vertical, 2 Horizontal
 Horizontal Beamwidth: 125° / 114°
 Vertical Beamwidth: 35° / 24°
 VSWR: <1.5:1 Max: 2.0
 Isolation: >20dB
 Impedance: 50 Ω



MECHANICAL SPECIFICATIONS

Dimensions: 12.6" x 6.7" x 1.4" (320mm x 170mm x 35mm)
 Radome Material: ABS
 Connector: RPTNC Plug
 Number of Leads: 4

Cable Length: 36" (910mm)
 Cable Type: ATS-195



ENVIRONMENTAL SPECIFICATIONS

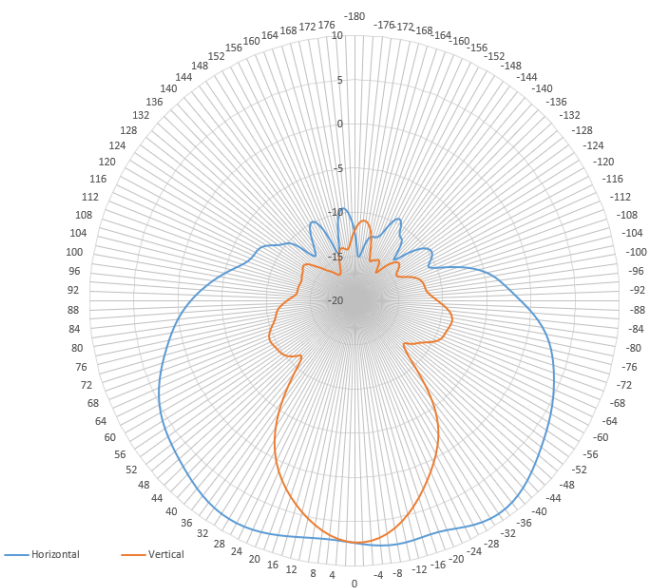
Installation Environment: Indoor/Outdoor
 IP Rating: IP66

WARRANTY

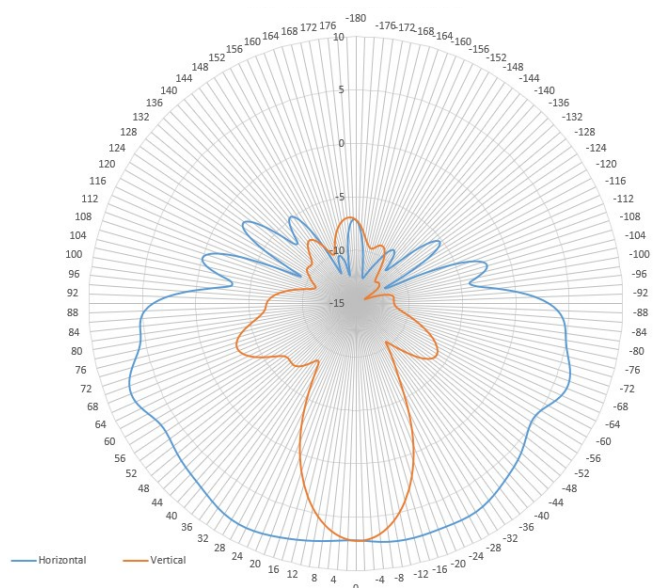
2 Year Limited Warranty

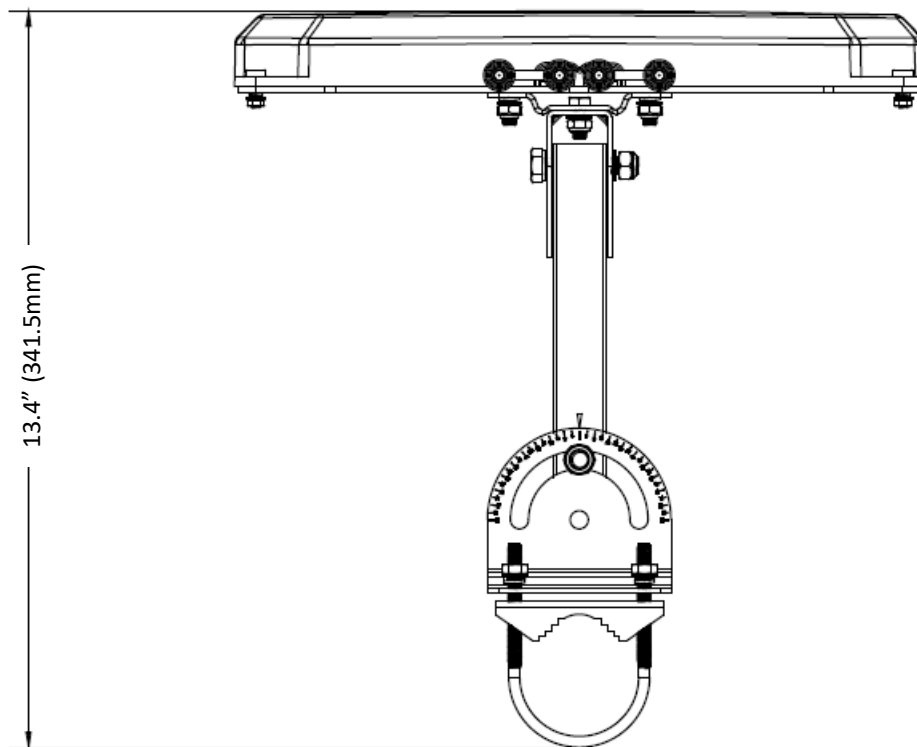
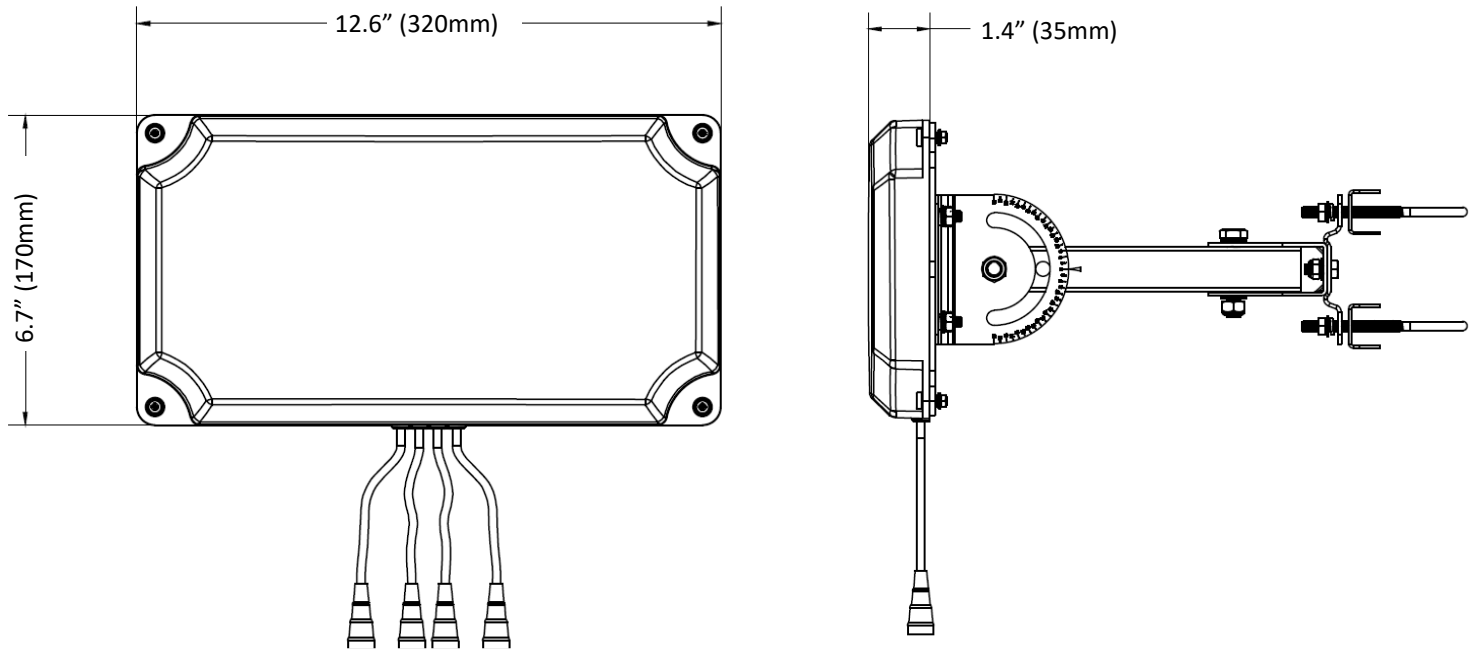


2.4GHZ

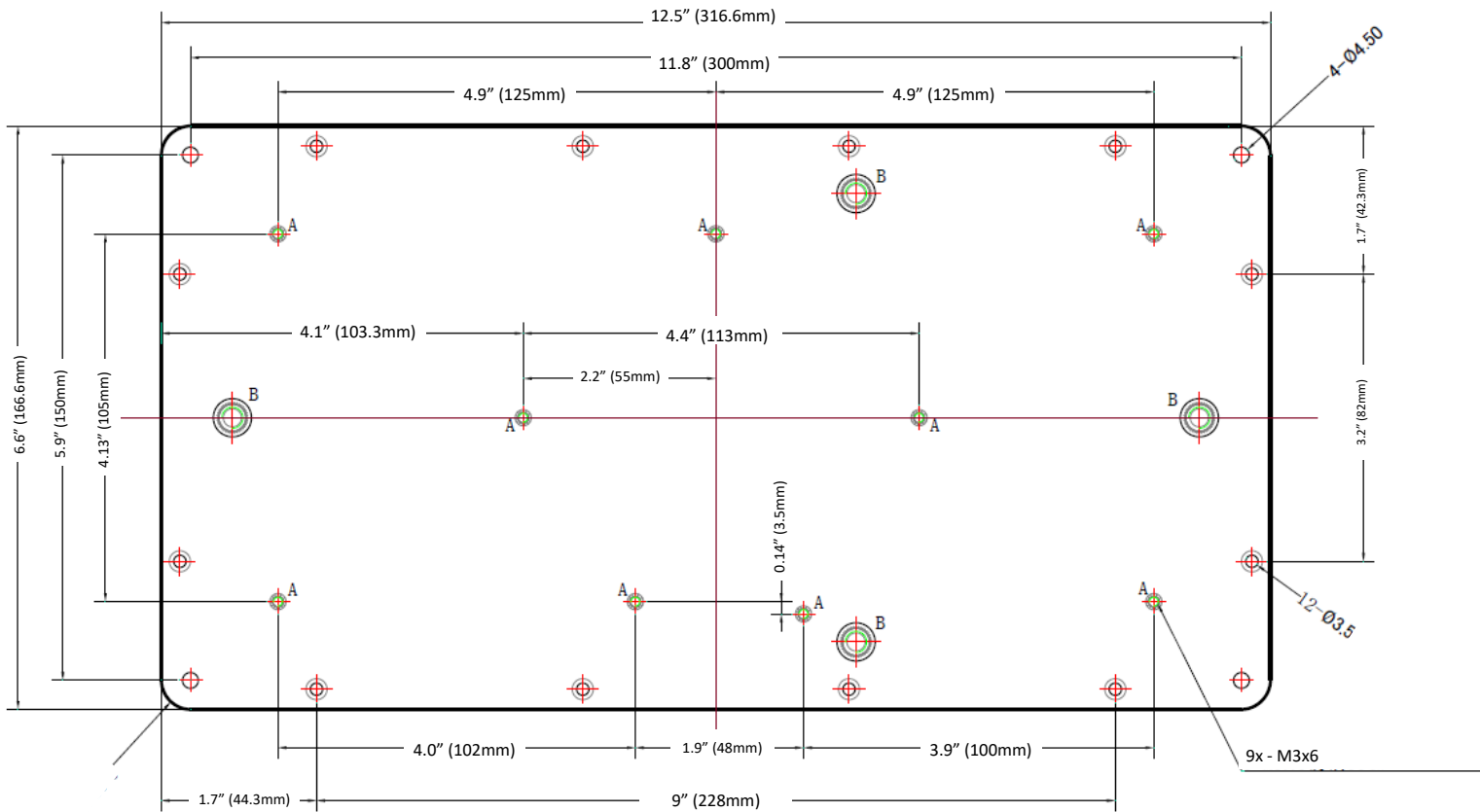


5GHZ





Threaded Inserts:



*NOTE: The threaded inserts labeled "B" in the above graphic are 1/4"-20TPI and are meant to be used with I-beam clamps for easy mounting to the I-beams